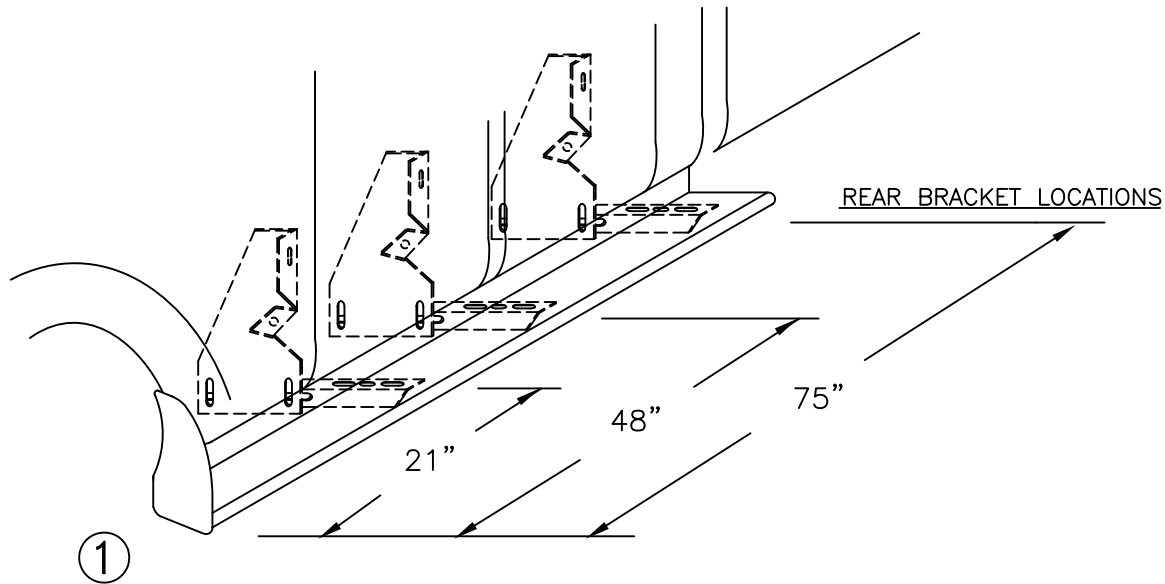


TOOLS REQUIRED: 1/2" HEX SOCKET * 1/2" WRENCH * 3/8" NUT DRIVER * 5/16" NUT DRIVER * DRILL

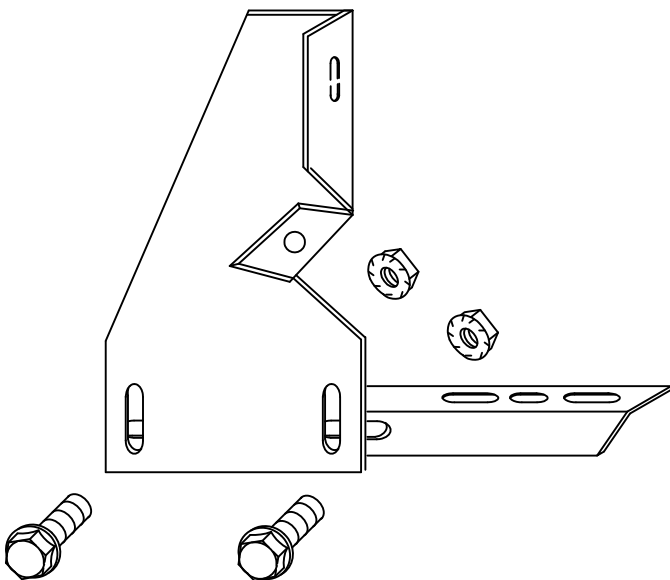


MEASURE FROM FRONT WHEEL WELL TO BRACKET LOCATIONS. THERE ARE FACTORY HOLES AT THESE LOCATIONS

(DRIVERS SIDE SHOWN)

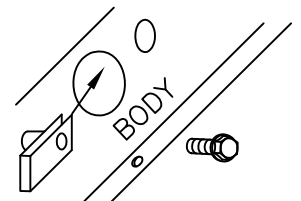
2

BRACKET ASSEMBLY
ASSEMBLE WITH 5/16" BOLTS

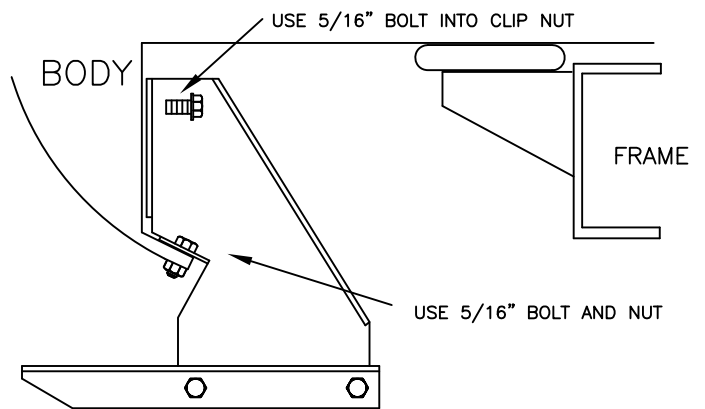


3

SLIDE CLIP NUT INTO BODY HOLES AT BRACKET LOCATIONS



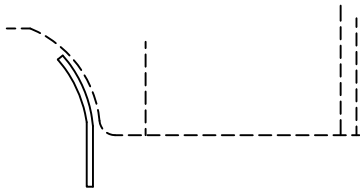
BRACKET ASSEMBLY MOUNT TO BODY;
ASSEMBLE WITH 8mm BOLTS AND 5/16" BOLT AT LOCATION 77"



MOUNT AT LOCATIONS SHOWN AT 1

④

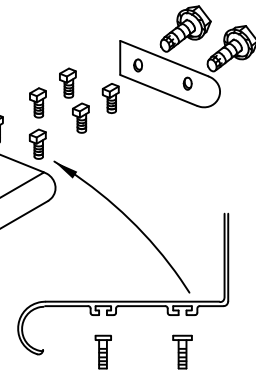
BEND STONE GUARD BY HAND AND KNEE TO FIT THE WHEEL WELL BEFORE INSTALLING TO RUNNING BOARD



⑦

INSTALL END CAP TO BOARD WITH 3/8" SELF TAPPING BOLT

⑥



SLIDE THREE 1/4"x5/8" SQUARE HEAD SCREW INTO EACH TRACK,

⑤

FASTEN FRONT STONE GUARD TO BOARDS WITH 3/8" SELF TAPPING BOLT. BEND STONE GUARD BY HAND AND KNEE TO FIT THE WHEEL WELL

⑧

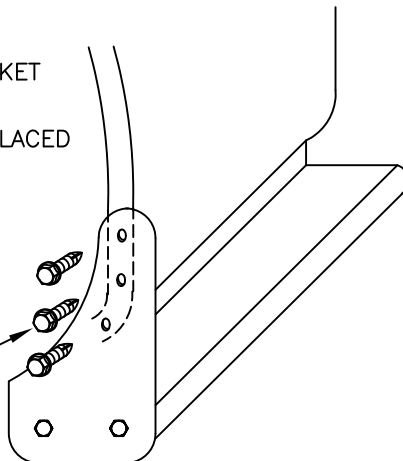
HOLD BOARD IN PLACE, WITH THE REAR RESTING ON THE BACK BRACKET

NOTE:

BE SURE THAT 1/4" BOLTS ARE PLACED INTO THE BRACKET STEP SUPPORT

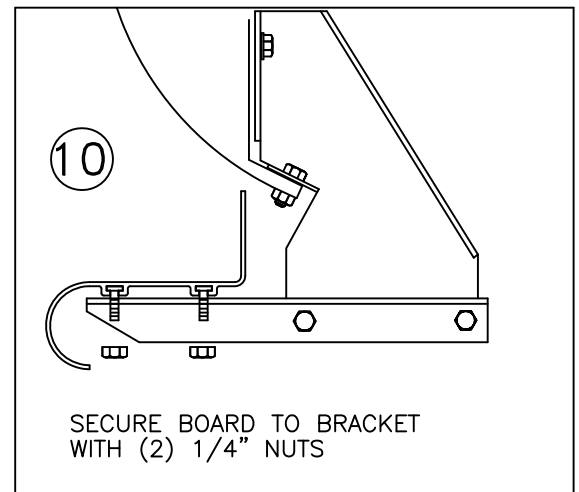
⑨

SCREW THROUGH STONE GUARD INTO FENDERWELL LIP USING #14 BY 3/4 SELF DRILLING SCREWS, MAKE SURE YOU DRILL INTO METAL



3 PLACES AT EACH STONE GUARD

⑩



SECURE BOARD TO BRACKET WITH (2) 1/4" NUTS

⑪

WITH BOARD LEVEL TIGHTEN ALL LOOSE BOLTS

⑫

REPEAT FOR OTHER SIDE

INSTALLATION PARTS LIST:

QTY.	DESCRIPTION
2	RUNNING BOARD 1 DRIVER & 1 PASSENGER
2	STONE GUARD 1 LEFT & 1 RIGHT
8	3/8"x1 SELF TAPPING SCREW
6	#14x3/4" TEK SCREW
12	1/4x5/8" SQUARE HEAD SCREW
12	1/4-20 HEX NUT

QTY.	DESCRIPTION
2	END CAP 1 LEFT & 1 RIGHT
24	5/16"x 3/4" WASHER HEAD BOLT
18	5/16-18 HEX WASHER HEAD NUT
6	FL83 BRKT (4") FL86 BRKT (2")
6	HORIZONTAL BRACKET, SUPPORT, 3124F
6	CLIP NUT

IN380
02/19/09