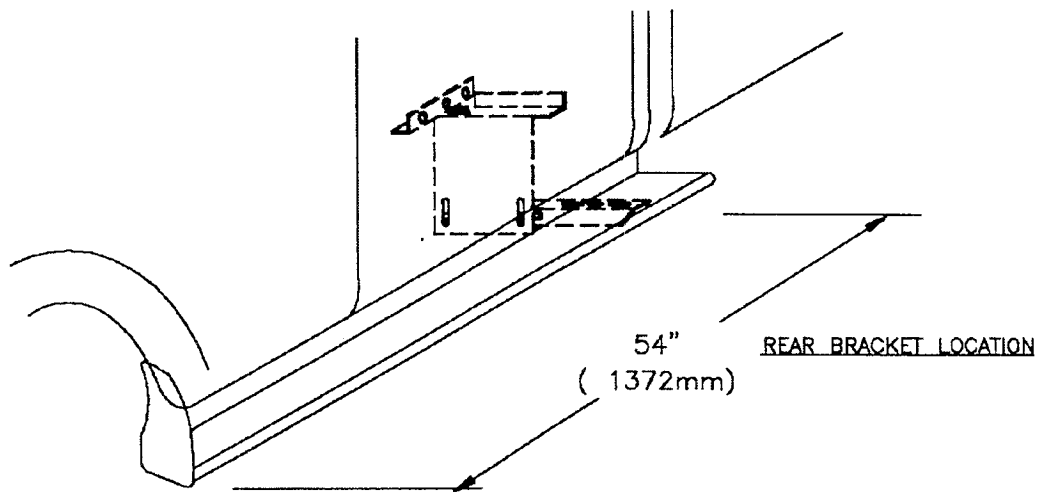
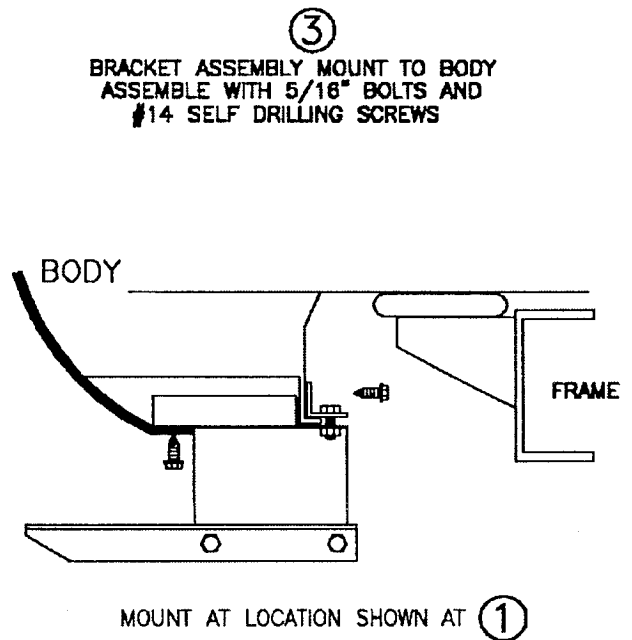
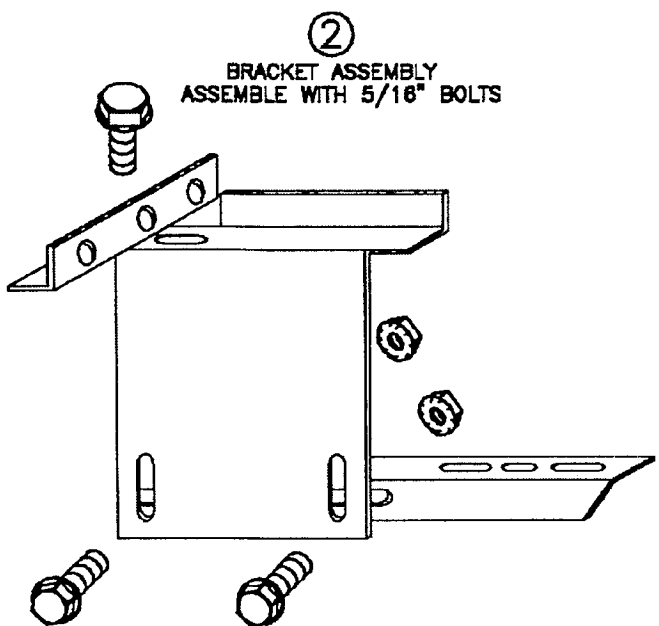


TOOLS REQUIRED: 5/16" DRILL * 1/2" HEX SOCKET * 1/2" WRENCH * 5/16" NUT DRIVER * 3/8" NUT DRIVER

YOUR BRACKETS INSTALL IN FACTORY HOLES



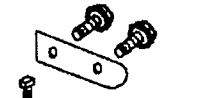
- ① MEASURE FROM FRONT WHEEL WELL TO BRACKET LOCATION
MARK THIS DIMENSION ON THE PINCH WELD
(DRIVERS SIDE SHOWN)



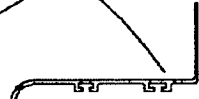
④ BEND STONE GUARD BY HAND AND KNEE TO FIT THE WHEEL WELL BEFORE INSTALLING TO RUNNING BOARD



⑦ INSTALL END CAP TO BOARD WITH 3/8" SELF TAPPING BOLT



⑥ SLIDE ONE 1/4"x5/8" SQUARE HEAD SCREW INTO EACH TRACK,



⑤

FASTEN FRONT STONE GUARD TO BOARDS WITH 3/8" SELF TAPPING BOLT. BEND STONE GUARD BY HAND AND KNEE TO FIT THE WHEEL WELL

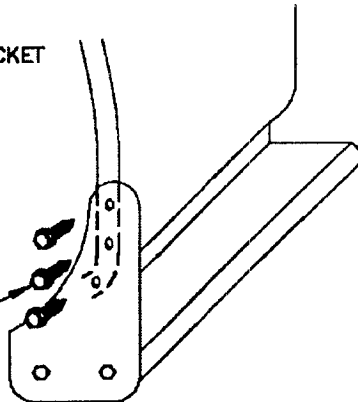


⑦

HOLD BOARD IN PLACE, WITH THE REAR RESTING ON THE BACK BRACKET

⑧

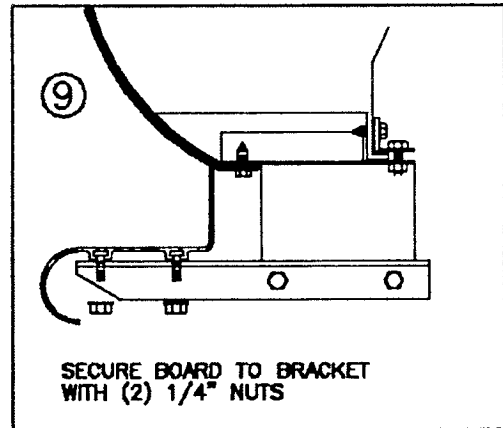
SCREW THROUGH STONE GUARD INTO FENDERWELL LIP USING #14 BY 3/4" SELF DRILLING SCREWS, MAKE SURE YOU DRILL INTO METAL



3 PLACES AT EACH STONE GUARD

NOTE: BE SURE THAT 1/4" BOLTS ARE PLACED INTO THE BRACKET STEP SUPPORT

⑨



SECURE BOARD TO BRACKET WITH (2) 1/4" NUTS

⑩

WITH BOARD LEVEL TIGHTEN ALL LOOSE BOLTS

⑪

REPEAT FOR OTHER SIDE

INSTALLATION PARTS LIST:

QTY.	DESCRIPTION
1	RUNNING BOARD 1 DRIVER & 1 PASSENGER
1	STONE GUARD 1 LEFT & 1 RIGHT
8	3/8"x1 SELF TAPPING SCREW
10	#14x3/4" TEK SCREW
4	1/4x5/8" SQUARE HEAD SCREW
4	1/4-20 HEX NUT

QTY. DESCRIPTION

1	END CAP 1 LEFT & 1 RIGHT
2	HORIZONTAL BRACKET, SUPPORT, 3124F
6	5/16"x 3/4" BOLT
6	5/16-18 HEX WASHER HEAD NUT
2	FLAT BRACKET, FL20-2" OR FL21-4"
2	6" HORIZONTAL BRACKET, BT07

IN-41
03/14/01