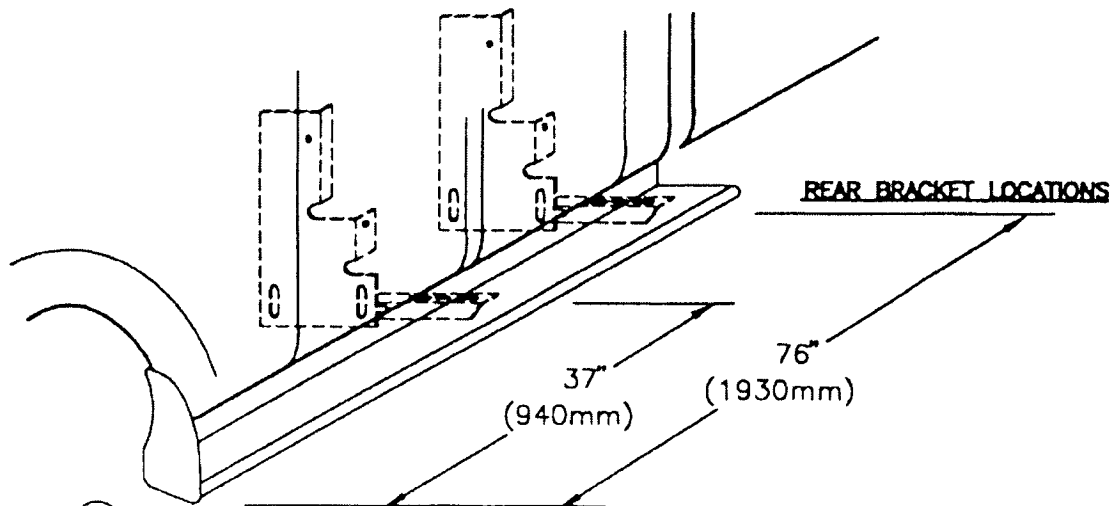


**TOOLS REQUIRED:** 5/16" DRILL • 1/2" HEX SOCKET • 1/2" WRENCH • 5/16" NUT DRIVER • 3/8" NUT DRIVER  
**YOUR BRACKET MOUNT HOLES WILL NEED TO BE DRILLED INTO THE BODY**

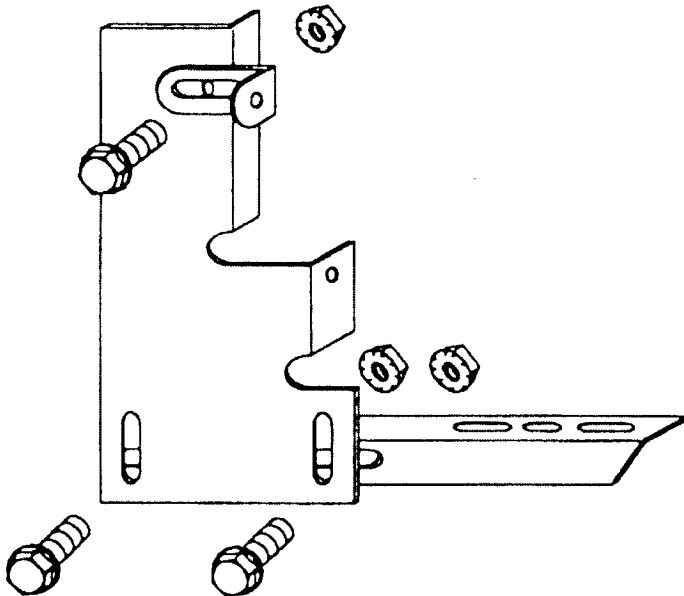


MEASURE FROM FRONT WHEEL WELL TO BRACKET LOCATIONS. MARK THIS DIMENSION ON THE PINCH WELD

(DRIVERS SIDE SHOWN)

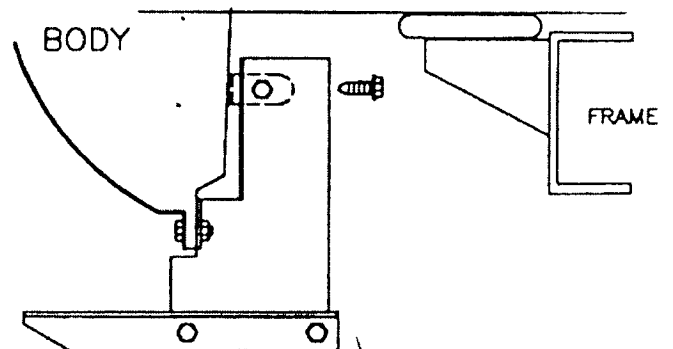
②

BRACKET ASSEMBLY  
ASSEMBLE WITH 5/16" BOLTS



③

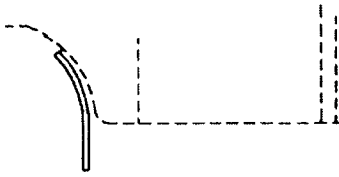
BRACKET ASSEMBLY MOUNT TO BODY  
ASSEMBLE WITH 5/16" BOLTS AND  
#14 SELF DRILLING TEK SCREW



MOUNT AT LOCATION SHOWN AT ①

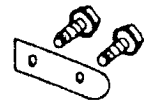
④

BEND STONE GUARD BY HAND AND KNEE TO FIT THE WHEEL WELL BEFORE INSTALLING TO RUNNING BOARD



⑦

INSTALL END CAP TO BOARD WITH 3/8" SELF TAPPING BOLT

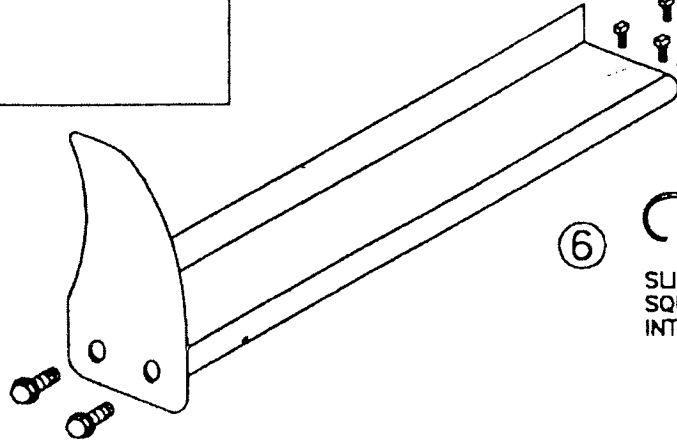


⑥

SLIDE TWO 1/4"x5/8" SQUARE HEAD SCREW INTO EACH TRACK,

⑤

FASTEN FRONT STONE GUARD TO BOARDS WITH 3/8" SELF TAPPING BOLT. BEND STONE GUARD BY HAND AND KNEE TO FIT THE WHEEL WELL



⑦

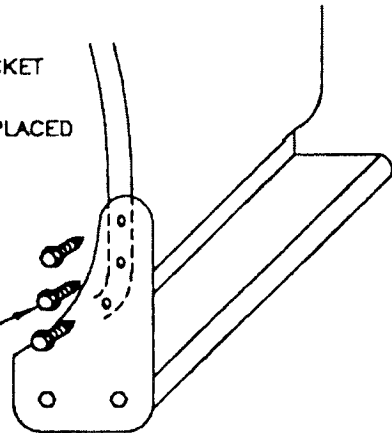
HOLD BOARD IN PLACE, WITH THE REAR RESTING ON THE BACK BRACKET

**NOTE:**

BE SURE THAT 1/4" BOLTS ARE PLACED INTO THE BRACKET STEP SUPPORT

⑧

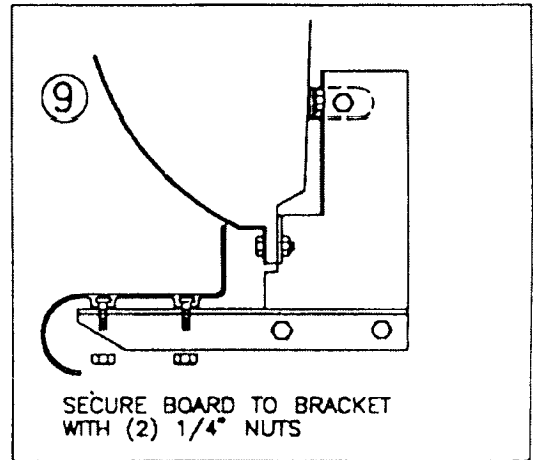
SCREW THROUGH STONE GUARD INTO FENDERWELL LIP USING #14 BY 3/4" SELF DRILLING SCREWS. MAKE SURE YOU DRILL INTO METAL



3 PLACES AT EACH STONE GUARD

⑨

SECURE BOARD TO BRACKET WITH (2) 1/4" NUTS



⑩

WITH BOARD LEVEL TIGHTEN ALL LOOSE BOLTS

⑪

REPEAT FOR OTHER SIDE

**INSTALLATION PARTS LIST:**

QTY.	DESCRIPTION
1	RUNNING BOARD 1 DRIVER & 1 PASSENGER
1	STONE GUARD 1 LEFT & 1 RIGHT
8	3/8"x1 SELF TAPPING SCREW
10	#14x3/4" TEK SCREW
8	1/4"x5/8" SQUARE HEAD SCREW
8	1/4"-20 HEX NUT
4	ANGLE STRAP, AS01

**QTY. DESCRIPTION**

1	END CAP 1 LEFT & 1 RIGHT
16	5/16"x 3/4" WASHER HEAD BOLT
16	5/16-18 HEX WASHER HEAD NUT
4	HORIZONTAL BRACKET, SUPPORT, 3124F
4	FLAT BRACKET, FL48 2" RISER
	FLAT BRACKET, FL43 4" RISER

IN-56  
01/08/02