

# *Rugged Liner*

*Truck Accessories*

200 Universal Dr. • Owosso, MI 48867  
989-720-5000 • Fax 989-729-2329  
1-800-433-3604



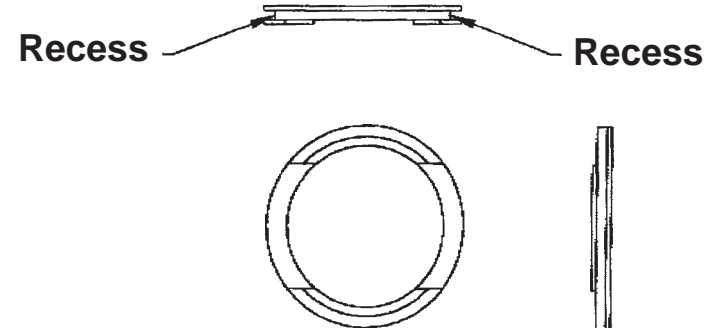
**Installation Kit No.: LIK-5**  
Contents: (2) 2.5" rubber plugs

## INSTALLATION INSTRUCTIONS

**Step 1:** Insert rubber plug into the cargo hole, smooth side facing out, by allowing the perimeter of the hole to rest in the recess of one side of the plug.

**Step 2:** Squeeze the plug together slightly to allow the opposite side to tuck in.

**Step 3:** Check for a secure fit.



*Note:*

*The rubber plugs should be installed after the liner has been installed into the truckbed.*

*It may be necessary to remove the tiedowns to allow the plugs proper positioning.*