



# SPYDER

WWW.SPYDERAUTO.COM

## INSTALLATION GUIDE:

PRO-YD-AI94-(ALL COLORS)

### Tools Required

10mm Socket & Ratchet

Phillips Screwdriver

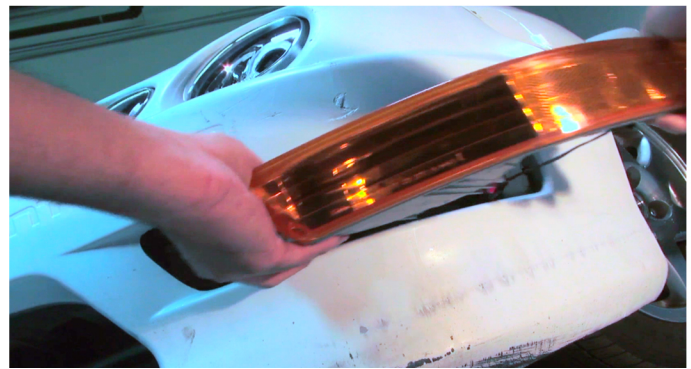


**\*Please Note\***

If you are unfamiliar with the installation processes, professional installation is highly recommended.



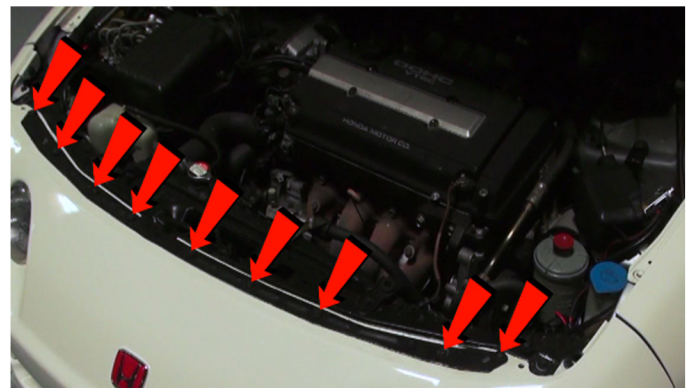
1) Remove [1x] Phillips Screw securing the corner lamp.



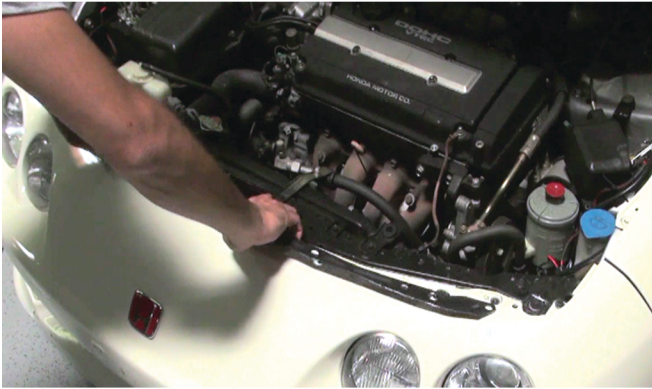
2) Unseat the corner lamp.



3) Remove [2x] turn signal sockets from the corner lamp. Never touch exposed bulbs with bare hands.



4) Remove [9x] phillips screws securing the support bracket.



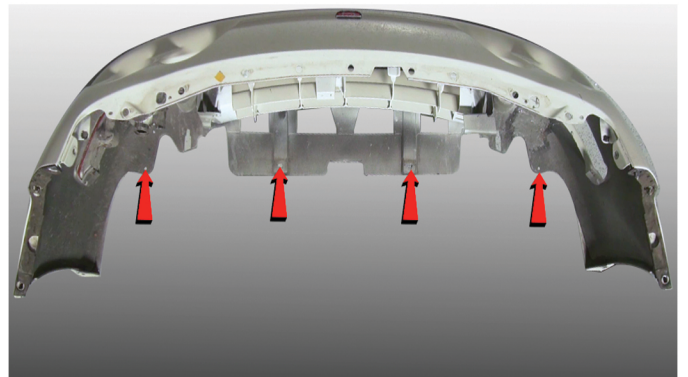
5) Remove the support bracket.



6) Remove [4x] 10mm bolts securing the fascia.



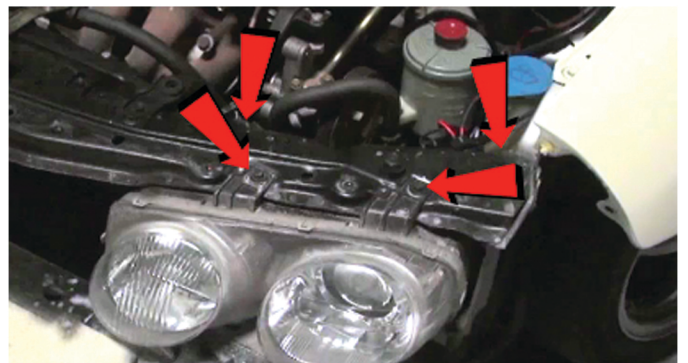
7) Remove [1x] phillips screw securing the fascia in the wheel well on each side.



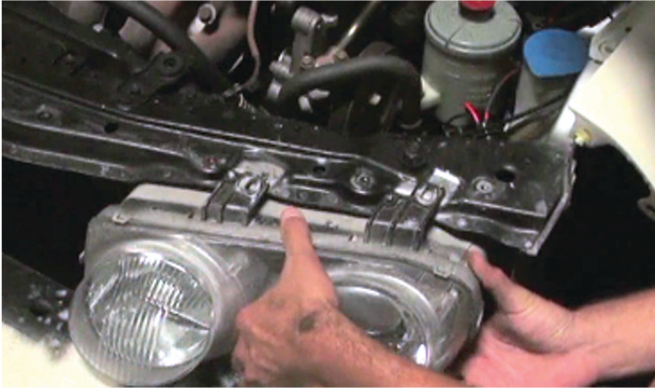
8) Remove [2x] 10mm bolts and [2x] phillips screws securing the fascia from below.



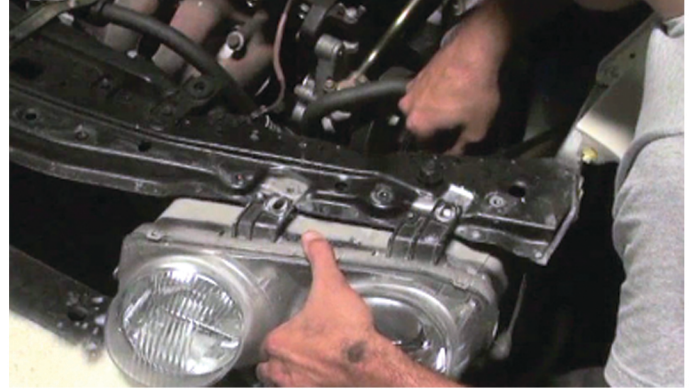
9) Unseat the front bumper fascia.



10) Remove [4x] 10mm bolts securing the headlight.



11) Unseat the headlight.



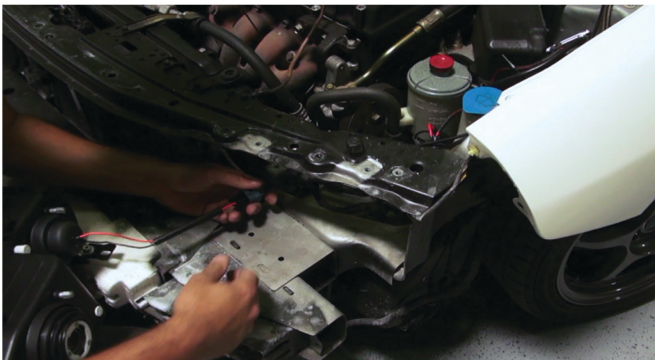
12) Remove the high beam and low beam bulbs from the OEM headlight and set it aside. Never touch exposed bulbs with bare hands.



13) Remove the high beam bulb from its socket.



14) The beam adjusters are 8mm and are shown here. See "How To Wire Halos" on the Spyder FAQs Playlist on the Spyder Auto YouTube channel for more information.



15) Reconnect the high beam harness.



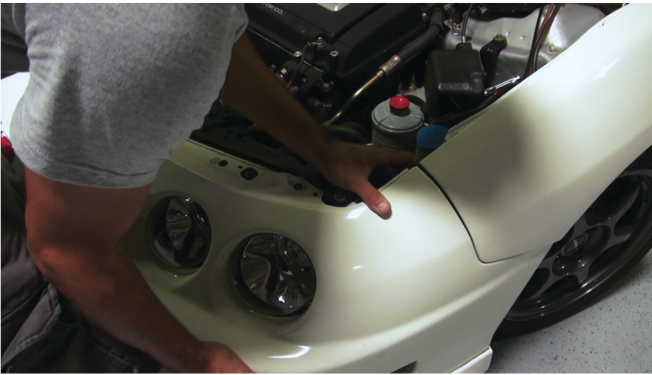
16) Seat the Spyder headlight.



17) Reinstall the low beam bulb into the Spyder headlight.



18) Reinstall [4x] 10mm bolts to secure the headlight.



19) Seat the front bumper fascia.



20) Replace the support bracket.



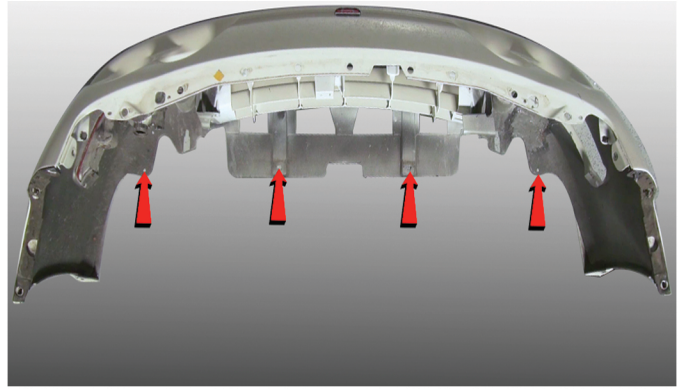
21) Reinstall [9x] Phillips screws to secure the support bracket.



22) Reinstall [4x] 10mm bolts to secure the fascia; [2x] at each upper corner of the fascia.



23) Reinstall [1x] phillips screw securing the fascia at the wheel well on each side.



24) Reinstall [2x] 10mm bolts and [2x] phillips screws securing the fascia from below.



25) Reinstall [2x] turn signal sockets into the corner lamp.



26) Seat the corner lamp.



27) Reinstall [1x] phillips screw to secure the corner lamp.



28) Close the hood and enjoy your new Spyder projector headlights.



**SPYDER**  
WWW.SPYDERAUTO.COM

For further help with installation, please watch our installation video. Follow the direct link below to our YouTube channel for more information.

<http://www.youtube.com/watch?v=npn6Fek7f68>

## Disclaimer

Spyder Auto Installation Guide is not liable for damages, injuries, and death while installing the product. This is a guide only, designed to save you time during the installation process. We take no responsibility and cannot be held liable for improper installation. If you do not know how to install your product or are not comfortable doing it yourself, please seek professional installation.