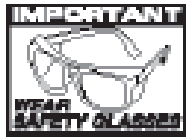




2650-2014-77

INSTALLATION INSTRUCTIONS

CAN-AM Panel Installation



For 2012-2018 Maverick, Maverick MAX, 2010-2020 Commander, Commander MAX

What is Included:

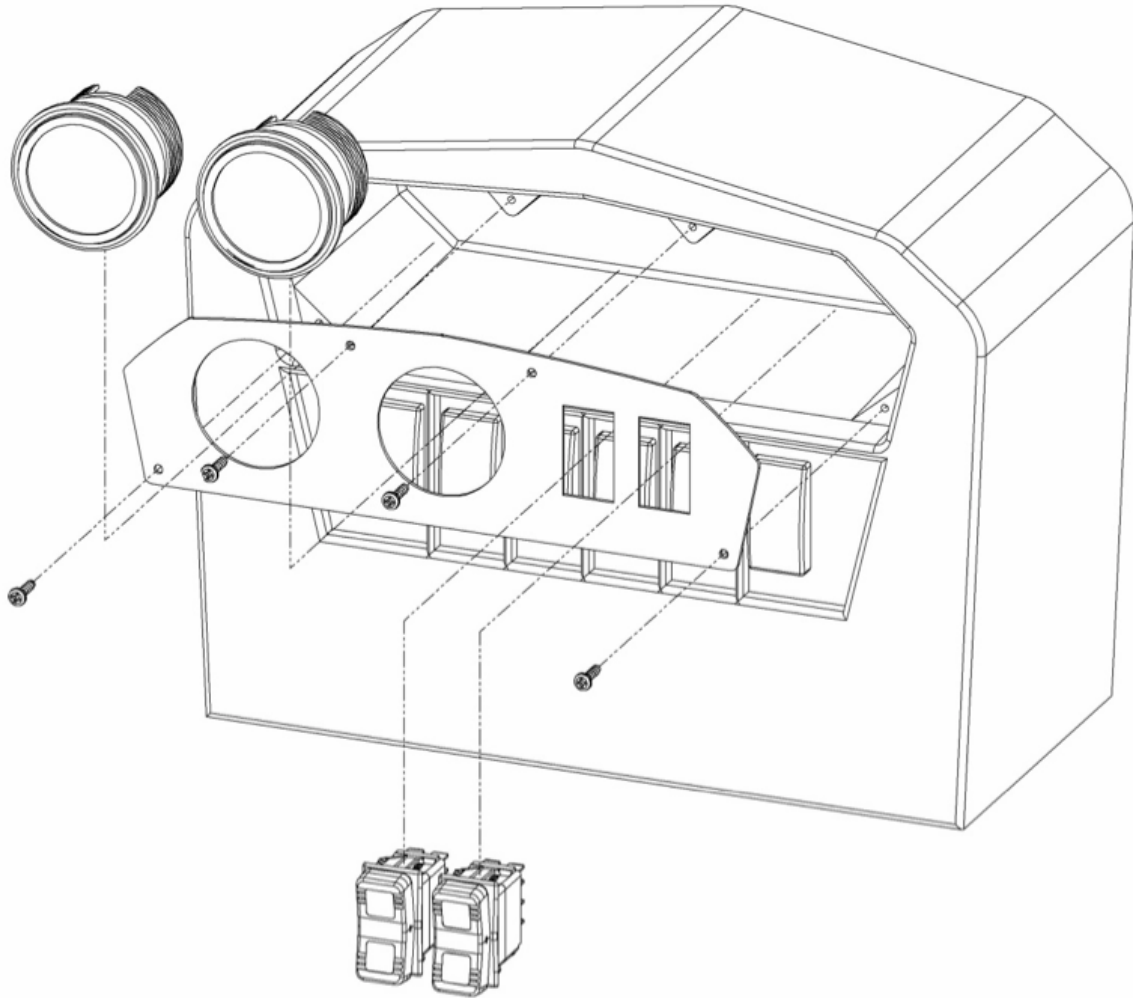
- (4) #6 Self-tapping screws
- (1) Panel

Tools Needed:

- 0.5-0.75" drill bit/hole saw
- No. 32 drill bit (0.116")
- Philips Screw driver
- Any tools called out in the gauge and switch instructions

5398 is designed for (3) 2 1/16" gauges (*Not included, Auto Meter EEG gauges recommended).
5399 is designed for (2) 2 1/16" gauges (*Not included, Auto Meter EEG gauges recommended) and (2) rectangular rocker switches (*Not included) that fit 0.96" x 1.9" cutouts.

1. Disconnect the Negative battery cable.
2. Place the empty panel onto the cubby and use it as template to drill the (4) No. 32 bit pilot holes.
3. Make hole that is large enough to run all the required wiring through. 0.5-0.75" should be enough.
4. For both models, follow the wiring instructions included with the 2 1/16" gauges you have purchased. Route the wires from the senders and power and ground through the hole you made previously.
5. For 5399, insert switches through the front of panel. Follow the instructions that come with switches you have purchased. Route the wires from their sources through the hole you made previously.
6. Mount the gauges through the front of the panel and secure them with the included brackets. Make sure they oriented how you want them during this step.
7. Finish wiring the switches and gauges per the instructions included by their manufacture.
8. Reconnect the Negative battery cable.
9. Test that gauges, and switches, are functioning as expected. If you have installed a water temperature gauge (such as Auto Meter 9255) it will take a few minutes for the engine warm up and show on the gauge.
10. If all gauges and switches perform as expected finish installing the panel using the (4) self-tapping screws provided. Tighten screws to ¼ turn past figure tight. It is suggested this not be done with a power screwdriver so as to not strip out the hole.
11. Installation is complete.



(5399 shown)

SERVICE

For service send your product to Auto Meter in a well packed shipping carton. Please include a note explaining what the problem is along with your phone number. If you are sending product back for warranty adjustment, you must include a copy (or original) of your sales receipt from the place of purchase.

12 MONTH LIMITED WARRANTY

AutoMeter Products, Inc. warrants to the consumer that all AutoMeter High Performance products purchased from an Authorized AutoMeter Reseller will be free from defects in material and workmanship for a period of twelve (12) months from date of the original purchase. Products that fail within this 12 month warranty period will be repaired or replaced at AutoMeter's option, when determined by AutoMeter that the product failed due to defects in material or workmanship. This warranty is limited to the repair or replacement of parts in the AutoMeter High Performance product and the necessary labor done by AutoMeter to effect the repair or replacement of the AutoMeter High Performance product. In no event shall AutoMeter's cost to repair or replace an AutoMeter High Performance Product under this warranty exceed the original purchase price of the AutoMeter High Performance Product. Nor shall AutoMeter Products, Inc. be responsible for special, incidental or consequential damages or costs incurred due to the failure of an AutoMeter High Performance Product. This warranty applies only to the original purchaser of the AutoMeter High Performance Product and is non-transferable. This warranty also applies only to AutoMeter High Performance Products purchased from an Authorized AutoMeter Reseller. All implied warranties shall be limited in duration to the said 12 month warranty period. Breaking the instrument seal, improper use or installation, accident, water damage, abuse, unauthorized repairs or alterations voids this warranty. AutoMeter disclaims any liability for consequential damages due to the breach of any written or implied warranty on all products manufactured by AutoMeter Products, Inc. For a comprehensive listing of Un-Authorized AutoMeter Resellers please visit www.autometer.com/autometerlocator/index/unauthorized.

FOR SERVICE SEND TO: AUTO METER PRODUCTS, INC. 413 W. Elm St., Sycamore, IL 60178 (866) 248-6356

For Email: Service@autometer.com