



baja designs[®]
THE SCIENTISTS OF LIGHTING

**44-7863, 44-7873, 44-7864, 44-7874, 44-7865, 44-7875
2019-On Mercedes Sprinter Van Fog Pocket Kit**



2950 Norman Strasse • San Marcos • CA • 92069

Phone 760-560-2252 X3 • Fax 760-560-0383

info@bajadesigns.com • www.bajadesigns.com



baja designs[®]
THE SCIENTISTS OF LIGHTING

LIMITED LIFETIME WARRANTY

Baja Designs proudly offers a LIFETIME WARRANTY against manufacturer's defect on all the products that we manufacture.

These are comprehensive warranties; other than the exclusions below – you're covered. If your LED or HID bulb burns out, you're covered. Additionally, cutting off our connector or changing your lenses does not automatically void your warranty.

Exclusions:

Installation errors, abuse, misuse or crash damage. You must be the original owner of the product and can supply proof of purchase.

Baja Designs manufactures its own products as well as resells products manufactured by others. Baja Designs makes no express or implied warranties on products not manufactured by Baja Designs including without limitation any warranties or merchantability and fitness for a purpose. We will, however, pass on all warranties made by the manufacturer, who has sole responsibility for performing such warranties.

Baja Designs will pay the freight if your product is less than 90 days old, otherwise defective products must be returned to Baja Designs, Inc., freight prepaid. At our option, we will repair or replace items in question and return them at no charge. If the identical product is no longer available, we will replace with a similar product of equal value. Baja Designs Inc. will not be responsible for any indirect or consequential damages in connection with defective merchandise.

Items purchased through a Baja Designs authorized dealer must be returned through the dealer. Only available on LED auxiliary lights and product must be in sellable condition at MSRP. Product that has been damaged in any way after the original purchase date will be excluded from this guarantee.

Indemnification:

Buyer hereby acknowledges off-roading, racing and driving at night are dangerous activities and that the products and/or supplies purchased from Baja Designs are used in an inherently dangerous activity that may endanger life and limb; and in no event shall the seller, or seller's heirs and assigns, be held liable for consequential damages, nor shall seller's liability on any claim for damages arising out of or connected with the sale, delivery, or use of purchased products and/or supplies exceed the purchase price of the products and/or supplies.

Buyer is responsible for ensuring that it uses the products (and its vehicle) in accordance with all applicable laws, regulations, guidelines, and standards of care. Buyer acknowledges that some products may only be used when off-roading, and Buyer will comply with all vehicle and road safety guidelines. Buyer is solely responsible for (and will indemnify and hold Bestop harmless for) any claims, losses, damages, fines, fees, costs, or other amounts arising out of Buyer's non-compliance with these provisions.

Tools Required

- *T-20 Torx
- *Digital multimeter
- * Trim removal tool
- * 4mm Allen wrench

To begin, make sure the vehicle is in park, on level ground and the parking brake is engaged.

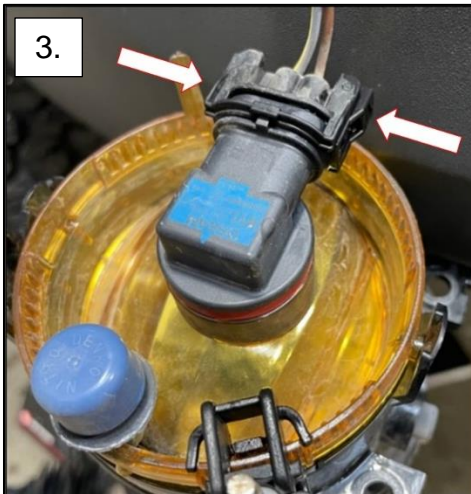
1. Using a trim removal tool, remove the plastic fog light bezel starting from the center of the vehicle. Make sure to not pry along the outer edge. Tabs are marked with arrows. (driver's side shown)

2. Using a T-20 Torx bit, remove the single fastener securing the light to the vehicle and carefully remove the light. Keep hardware as it will be reused.



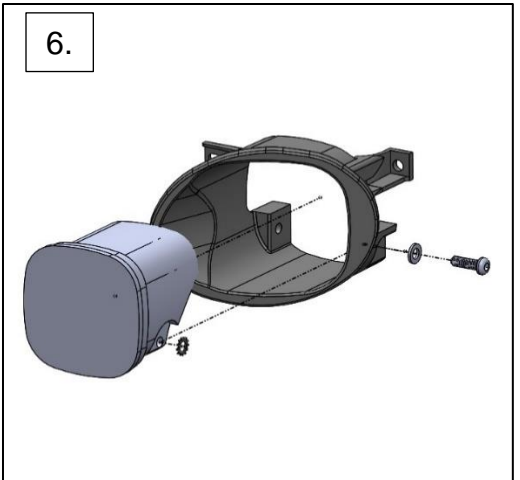
3. Push on the release tabs on the OEM fog light connector. Carefully unplug the light from the harness.

4. Connect the included wire harness adapter to the OEM fog light connector. Turn on the vehicle, headlights and fog lights and, using a digital multimeter, identify the positive and negative wires. Make note of their wire colors and turn off the vehicle.



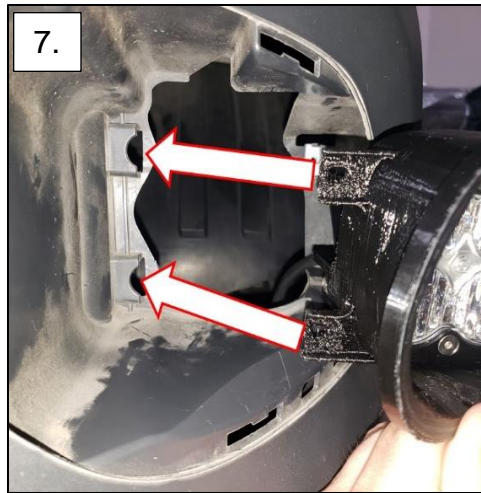
5. On the harness adapter, plug in the negative wire to the "A" port of the included weather-pak clamshell. Plug the positive pinned wire into "B" port of the clamshell. Close the latch on the weather-pak connector and plug in the light.

6. Install the light into the plastic mount as shown. Place the serrated washer in between the light and the plastic mount. Using a 4mm Allen wrench, tighten down the included bolt and 1/4" washer. Repeat for the other side of the housing.



7. Plug the light into the harness adapter. Install the light and ensure the light mount tabs are seated into the mounting slots. Secure using the Torx screw.

8. Reinstall the fog light bezel starting from the outside of the vehicle. Ensure the outer tab is inserted into the slot. Carefully apply pressure to clip it back into place.



9. Repeat steps 1 through 7 for the opposite side of the vehicle.



*Tie all wires away from sharp, hot, and/or rotating components.

* Re-torque all the fasteners after 100 miles.

*Your install is now complete! Thank you for choosing Baja Designs.