



# INSTALLATION GUIDE

**PART NUMBER: 15102**  
**LEVELING COILOVER**  
**0" TO 2"**

**GM 1500 2WD/4WD | 2007 TO 2018**

**300 W. PONTIAC WAY. CLOVIS, CA 93612**  
**PHONE: 800-445-3767 | EMAIL: INFO@BELLTECH.COM**

# THANK YOU

Thank you for choosing our high quality Belltech product. We have spent a great deal of time developing our line of products so that you will receive maximum performance with minimal difficulty during installation. Soon your vehicle will be on the road looking and feeling much improved.

**Please take a moment to read all instructions and warnings prior to installation of your new Belltech product and before operating your vehicle. If you have any questions or concerns regarding any step in the installation process, please do not hesitate to call or email our customer support specialists who are trained to help you through any portion of this process.**

## Before You Begin:

**It is of the utmost importance that you confirm all of the components listed on the parts list is in the kit. You can find this list located on the last page(s) of your instructions. Do not begin installation if any part is missing. Instead, please call our Belltech customer service specialists.**

### Belltech Customer Support:

Phone: 1-800-445-3767

Email: [info@belltech.com](mailto:info@belltech.com)

## Safety Information:

**Warning:** Do not work under a vehicle supported only by a jack. Place support stands securely under the vehicle in the manufacturer's specified locations unless otherwise instructed.

Proper use of safety equipment and eye/face/hand protection is absolutely necessary when performing any of the following instructions.

We strive for an exceptional experience for all our valued customers. If for any reason you need assistance with your Belltech products, please do not return the product to the store you purchased from, but rather call our dedicated customer service experts, from 6am to 5pm PST.

We recommend that a qualified mechanic, at a properly equipped facility, perform this installation.

It is very helpful to have an assistant available during installation.

## Before Driving Your Vehicle:

It is important to double check all brake hoses, cables, and other components to be sure there is no interference. You must also check for wheel/tire to chassis/body interference. If any issues are found, review your installation instructions to be sure no steps were missed and any problems are corrected.

Make sure your vehicle is aligned immediately following installation.

Check all hardware and re-torque at intervals for the first 10, 100, and 1000 miles.

Some of Belltech's products are designed to improve your vehicle's off-road performance. Leveling/lifting your vehicle may result in an altered center of gravity. It is crucial to use extreme care when operating your vehicle to prevent rollover and/or loss of control.

Any changes in your vehicle's suspension may result in transformed handleability. Please test-drive your vehicle in a remote location so you can become accustomed to the revised driving characteristics.

Perform headlight check and adjustment.

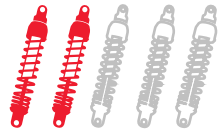
Failure to drive any modified vehicle in a safe manner may result in harm or death.

Never operate your modified vehicle under the influence of drugs, alcohol, or lack of adequate sleep.

Always wear your seatbelt.



**DIFFICULTY:**



**INSTALLATION TIME:**

1-2 Hours  
Per Coilover  
+Alignment

## RECOMMENDED TOOLS:

- Properly rated floor jack
- Wheel chocks
- Metric socket wrench set
- Metric wrench set
- Tape measure
- Marking Pen
- Dead blow hammer

## SPECIALTY TOOLS:

- Torque wrench up to 200lbs
- Panel popping tool



### Technician note:

Before making any adjustments to your new Belltech coilover, please be sure to loosen the set screw. Failure to do so will damage the threads. After the adjustments are made, you may then tighten the set screw to keep the settings in place.

## INSTALLATION PREPARATION:

Before beginning the installation process, measure the hub to fender heights for your vehicle and record them in the “Before” section. After your vehicle has been modified, record the new measurements in the, “After” section. This way, you can compare the resulting height to the original. When taking the measurements, measure vertically from the center of the wheel to the inner edge of the fender.

**Before:**

LF: \_\_\_\_\_

RF: \_\_\_\_\_

LR: \_\_\_\_\_

RR: \_\_\_\_\_



**After:**

LF: \_\_\_\_\_

RF: \_\_\_\_\_

LR: \_\_\_\_\_

RR: \_\_\_\_\_

# JACKING, SUPPORTING, AND PREPARING THE VEHICLE

1. Park your vehicle on a smooth, level, concrete or seasoned asphalt surface.
2. Block the rear wheels of the vehicle using wheel chocks. Make sure the vehicle's transmission is in "PARK" (automatic) or 1st gear (manual).
3. Activate the parking brake.
4. Loosen, but do not remove, the front wheel lug nuts.
5. Lift the front of the vehicle off the ground using a properly rated floor jack. Lift the vehicle so the front tires are approximately 6-8 inches off the ground.
6. Place support stands rated for the vehicles weight. The stands should be positioned in the factory specified locations. (Refer to owners manual). Prior to lowering the vehicle onto stands, make sure the support stands will contact the chassis. It is very important that the vehicle is properly supported to prevent any harm to ones self or to the vehicle.
7. Lower the vehicle slowly onto the stands.
8. Remove the front wheels.

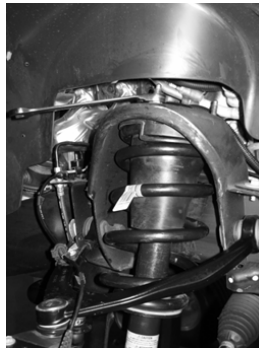


## Technician reminder:

Never work under a vehicle supported only by a jack. It is necessary to place support stands securely under the vehicle in the manufacturer's specified locations unless otherwise instructed.

## OEM STRUT REMOVAL

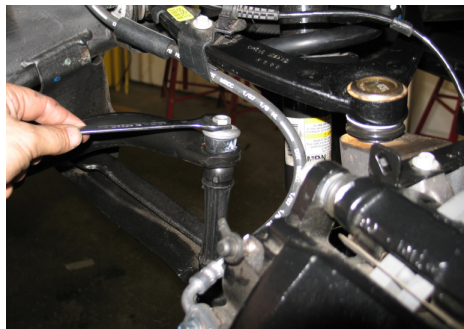
9. Locate the three top mount bolts on the front spring/strut assembly.
10. Remove all three mounting nuts.



11. Remove the two spring strut assembly lower mounting nuts.



12. Remove the mount nuts from the end links. Remove the end links completely. Doing so allows the lower control arms to droop further and ease the strut removal.



13. Once all the mounts have been un-bolted, hold the spindle assembly while slightly pushing down, dislodging the bottom spring/strut assembly from its perch, paying extra attention to not damage or over extend brake hoses.



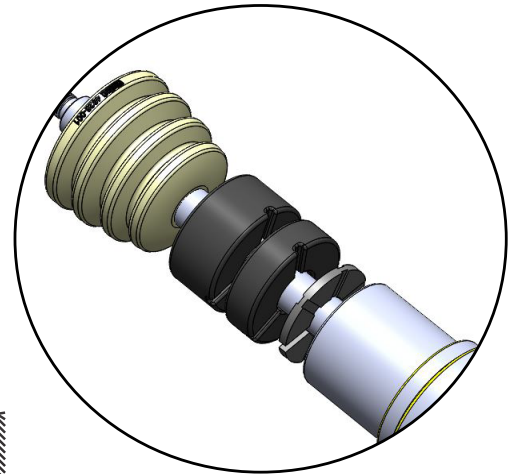
# BELLTECH COILOVER HEIGHT SETUP AND ASSEMBLY

14. The coilover comes as shown below.



15. Depending on your desired ride height, remove the Belltech top mount and main spring and using the tables below as reference, slide the required packers off the strut rod.

2007 to 2018 GM 1500 2WD/4WD		
Lift (Inches)	Perch height (milli-meters/inches)	15mm Packer
OE	146mm/5.7in	0
+1	162mm/6.4in	1
+2	178mm/7.0in	2



## Technician note:

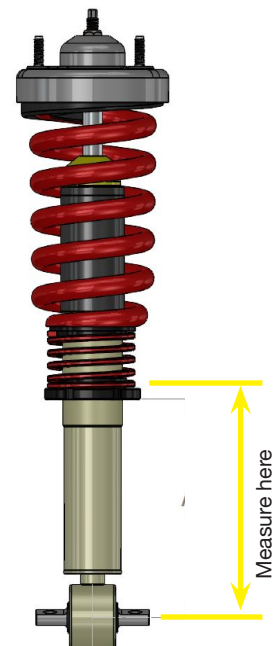
Belltech uses packers to maintain the correct bump stop engagement at various height ranges. Using the appropriate packer will prevent excessive body roll. If a packer is needed, according to the above charts, please place the packer on top of the vent disc, channel side down, as shown by the image to the right of this text box.

16. Confirm the vent disk is located on the strut, under the dust boot. If for any reason your vent disk is not present, please call our technical support staff before proceeding, as driving on the strut without it could cause the shock to fail.

17. Loosen the set screw on the spring perch.

18. Using the provided spanner wrench, turn the bottom spring perch to obtain desired spring perch height, measuring from the top of the perch to the center of the bushing. Find the appropriate spring perch height by referencing the tables above. We do not recommend adjusting beyond what is shown on the tables, as the performance of the shock may decrease greatly.

19. Tighten the set screw.



## BELLTECH COILOVER HEIGHT SETUP AND ASSEMBLY CONTINUED

20. If previously removed, assemble the helper spring, intermediate ring, main spring, upper spring seat, and Belltech top mount onto the Belltech coilover.
21. Torque the supplied nylock nut onto the strut.

## COILOVER INSTALLATION

22. Slide the Belltech coilover into the OE strut's original placement.
23. Using a 18mm wrench, tighten the upper strut nuts onto their correlating bolts.
24. Reattach the end links.
25. Replace the two spring strut assembly lower mounting nuts.



### Technician note:

Installation of your strut will be performed in the reverse order of removal. If it helps you to have photographs to reference, you may view the photographs from the "OEM Strut Removal" portion of these instructions.

# FINALIZING THE INSTALLATION

26. Re-install the wheels and tighten the lug nuts.
27. Lift the vehicle and remove the support stands.
28. Carefully lower the vehicle onto the flat ground.
29. Torque the lug nuts to manufacturer's specifications.
30. Check that all components and fasteners have been properly installed and torqued.
31. Re-read and perform all tasks in the "Before Driving Your Vehicle" section of page 1 of your instructions.



belltechsuspension



Belltech Suspension



@belltechsuspension

## THANK YOU FOR CHOOSING BELLTECH.

You are now a part of the Belltech family and we are eager to catch a glimpse of your newly modified vehicle. Give us a shout out and let us know how much you love our product. Don't forget, we offer other Belltech related merchandise for you and your vehicle on our website, [www.belltech.com](http://www.belltech.com)!

If you have any questions, concerns, or warranty related issues regarding your Belltech product, please call or email our experienced customer service specialists.

### Belltech Customer Support:

Phone: 1-800-445-3767

Email: [info@belltech.com](mailto:info@belltech.com)



# KIT CONTENTS



15102 Kit		
Part number	Description	Qty
15102-100	Belltech Coilover	2
68510039	Spanner Wrench	1

15102-100 Kit		
Part number	Description	Qty
15102-134	Belltech Leveling Coilover	1
60140122	Helper Spring	1
65050018	Spring Perch	1
15000-010	Spring Bearing Assembly	1
65210800	Dust Boot	1
15002105	Vent Disc	1
4935-001	15mm Packer	2
17916F	Top Mount Nut Washer	1
17917F	Top Mount Rod Washer	1
15102-003	Upper Spring Adapter	1
15000-003	Intermediate Ring	1
15002275	Top Mount	1
70150-330-993	Linear Spring	1
65210799	Bump Stop	1