



TEL: 1-866-XANATOS

INSTALLATION INSTRUCTIONS

**MAX T BULL BAR FOR 2004-2019 Ford F150 (Exclude Raptor,
Ecoboost And 2004 Heritage Edition.) (BBMAX12T+MF5)**

PART # MBT-MF512

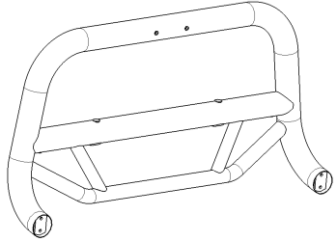

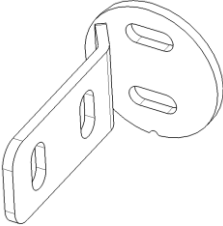
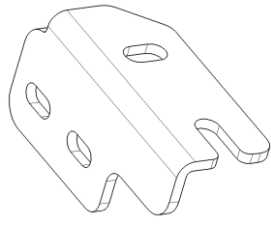
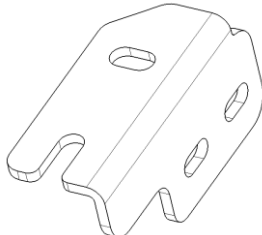
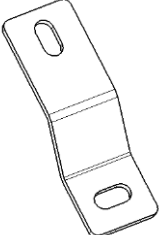
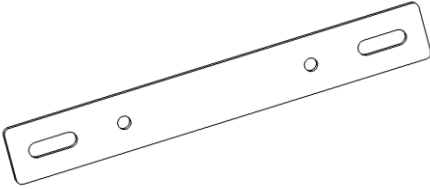
Before Installation

- Please read the instruction carefully before starting installation, which will help you to avoid scratches or other potential damages to your appealing car.
- The figures here are for reference only and may have differences with the actual product you received, however they share the same assembly way.

Care and Cleaning

- Mild soap may be used also to clean the Product.
- Do periodic inspections to the installation to make sure that all hardware is secure and tight.

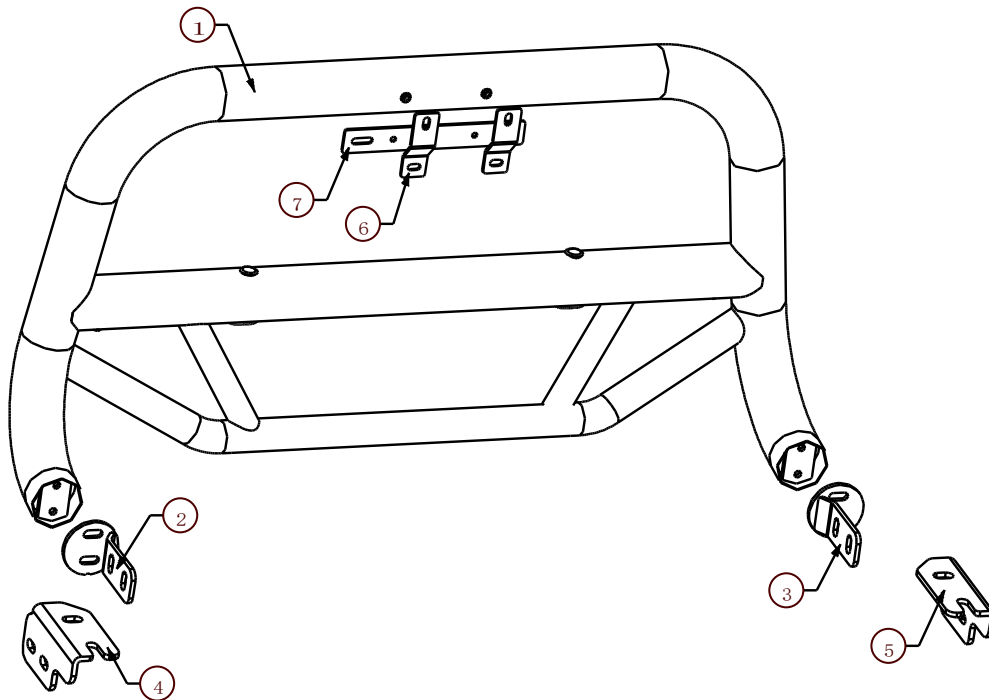
Parts List

NO.	QTY	NAME	NO.	QTY	NAME
①	1	 BULL BAR	②	1	 Mounting Bracket (L)
③	1	 Mounting Bracket (R)	④	1	 Frame Bracket (L)
⑤	1	 Frame Bracket (R)	⑥	2	 License Plate Bracket 1
⑦	1	 License Plate Bracket 2			

⑧	4	Bolt Plates M12_40	⑨	2	U-Bolts M10x143.5
⑩	4	Combo Bolts M6_20	⑪	2	Hex Bolts M6_20
⑫	4	Hex Bolts M10_35	⑬	4	Hex Bolts M8_35
⑭	4	Lock Washers D12	⑮	4	Lock Washers D10
⑯	4	Lock Washers D8	⑰	4	Lock Washers D6
⑱	4	Flat Washers D12_32_3	⑲	12	Flat Washers D10_27_3
⑳	4	Flat Washers D8_22_2	㉑	4	Flat Washers D6
㉒	4	Hex Nuts M12	㉓	4	Hex Nuts M10
㉔	4	Nylon Lock Nuts M10	㉕	4	Hex Nuts M6
㉖	1	Wrench S=4			

Installation Steps

Installation Fig.

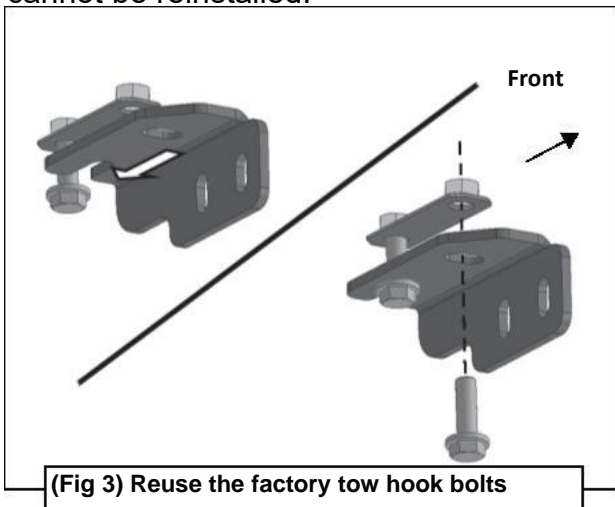


STEP 1:

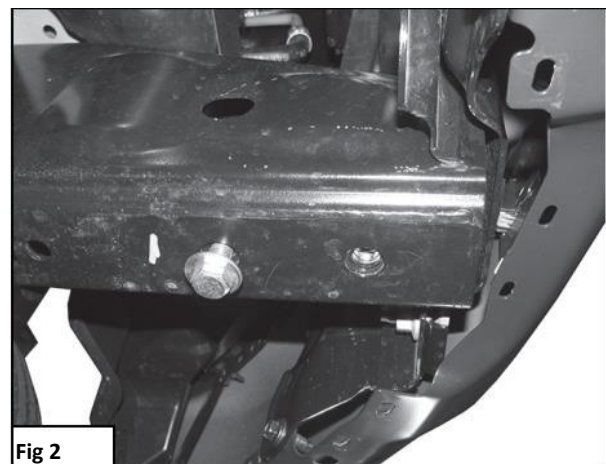
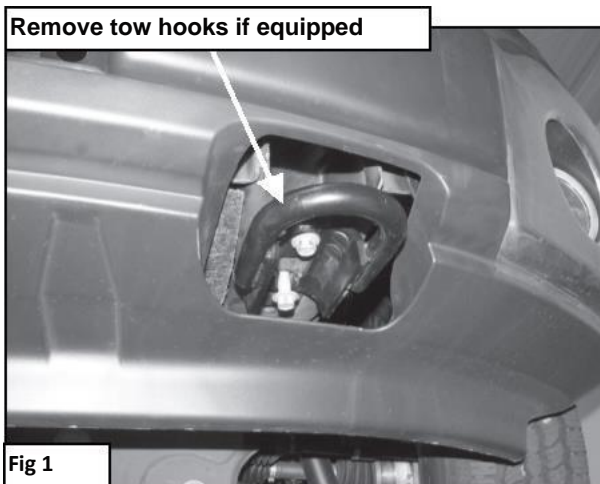
Determine if the vehicle is equipped with tow hooks, (Fig 1).

Vehicles with Factory Tow Hooks (NOTE: Tow hooks cannot be reinstalled)

a. Remove each tow hook by removing the front bolt and only loosening the rear bolt, (Fig 2). Slide the tow hook off. Keep the factory double nut plate in the frame and aligned with the holes. NOTE: On 15-UP models, first remove tow hook. Pull seal around tow hook in toward vehicle to release from back of bumper. Once released from bumper, pull seal out through tow hook opening. Seal cannot be reinstalled.



b. Select the driver side Frame Bracket. Position the Bracket up to the bottom of the frame. Reuse the tow hook hardware to attach the Bracket to the bottom of the frame and factory double nut plate, (Fig 3).



- c. Repeat to install the passenger side Frame Bracket.
- d. Skip to Step 2.

All vehicles without Tow Hooks

Remove the lower plastic portion of the bumper to gain access to the ends of the frame rails, (Fig 4). The lower bumper or splash guard will need to be cut out to allow the Mounting Brackets and end of Bull Bar to pass through, (Step 4). On some models, access to the mounting hardware is limited. For access, first remove the plastic bumper cover from each side of the opening and in the center of the bumper, (Fig 5).



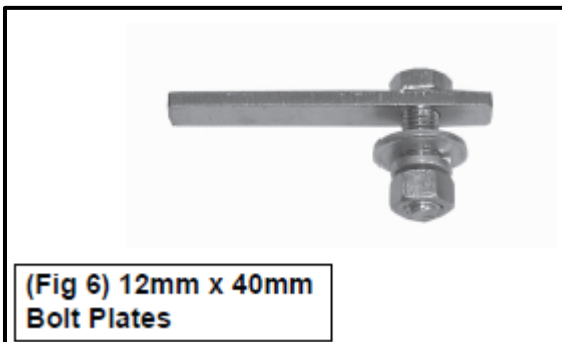
(Fig 4) Temporarily remove the splash guard as required to gain access to the front of the frame channel.



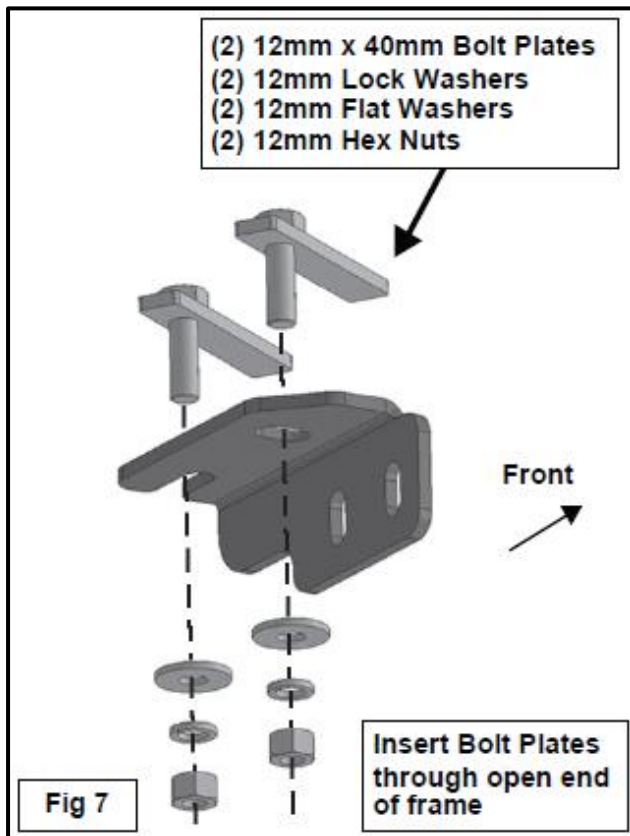
(Fig 5) Remove bumper pads to access splash guard hardware if necessary. 2015 F150 pictured.

Vehicles without Tow Hooks and open end of frame

- a. Starting on the driver side of the vehicle, insert (2) 12mm Bolt Plates through the opening in the end of the frame and down through the hole in the bottom of the frame, (Figs 6 & 7).



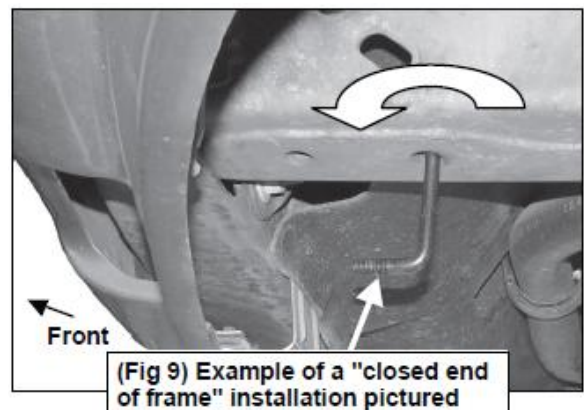
(Fig 6) 12mm x 40mm Bolt Plates

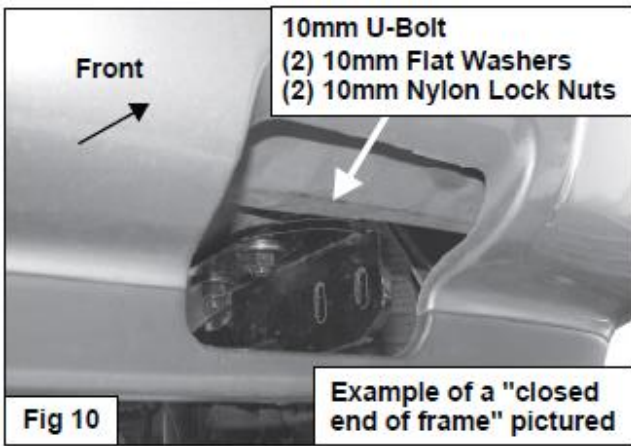


- b. Attach the Bracket to the Bolt Plates with (2) 12mm Flat Washer, (2) 12mm Lock Washers and (2) 12mm Hex Nuts, (Fig 7).
- c. Snug but do not tighten the hardware.
- d. Repeat to install the passenger side frame Bracket.

Vehicles without Tow Hooks, closed end of frame

- a. Starting on the driver side of the vehicle, locate the two holes on the bottom of the frame. Insert (1) 10mm U-Bolt into one hole and out the other, (U-Bolt is only used on vehicles with "closed end frames") (Figs 8 & 9).

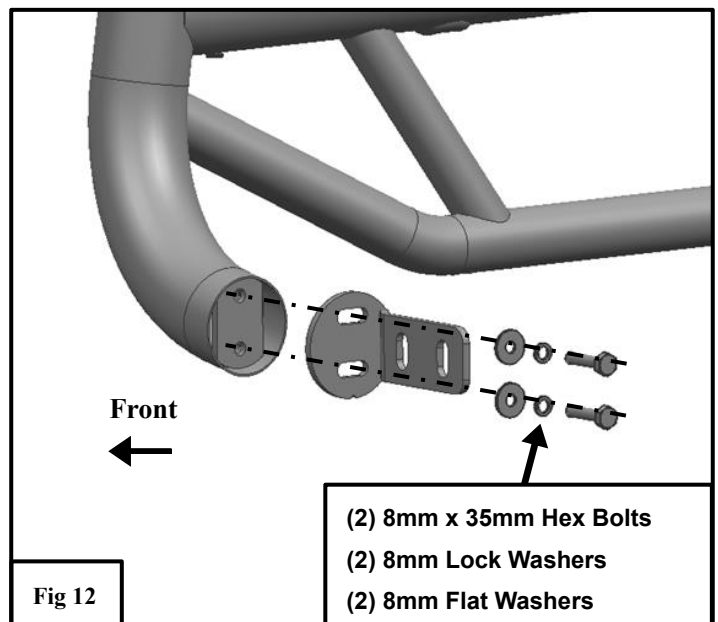
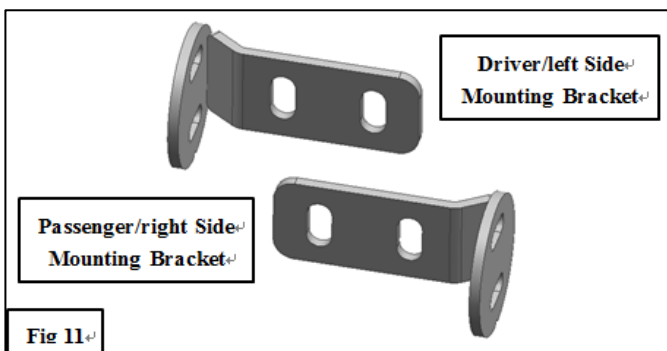




- b. Attach the driver side Frame Bracket to the U-Bolt with (2) 10mm Flat Washers and (2) 10mm Nylon Lock Nuts, (Fig 10).
- c. Snug but do not tighten the hardware.
- d. Repeat to install the passenger side frame Bracket.

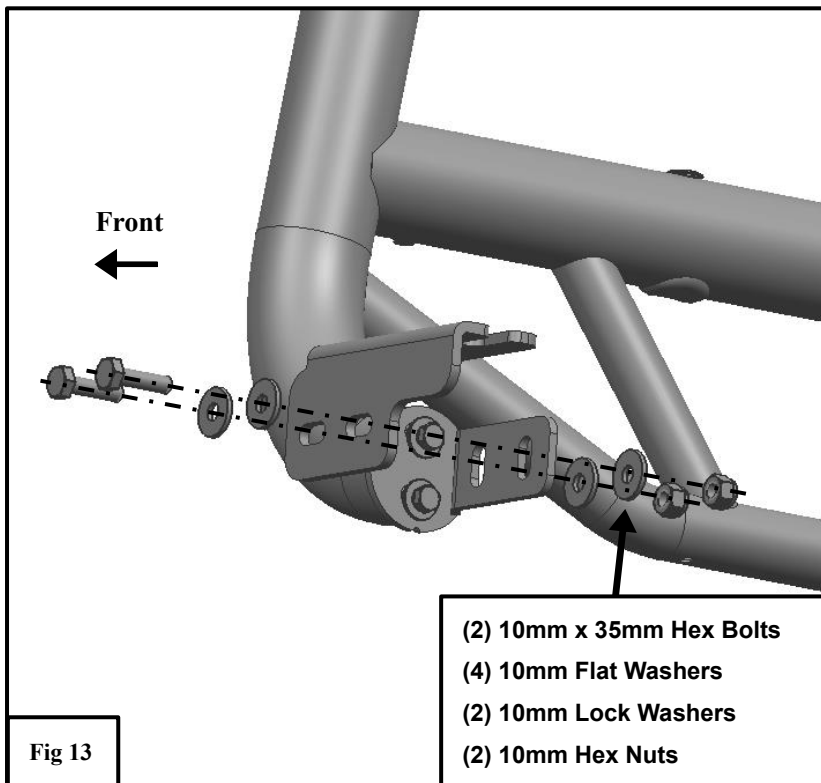
STEP 2:

Next, carefully unwrap the Guard. Select the driver side Mounting Bracket, (Fig 11). Attach the Bracket to the end of the tube with (2) 8mm x 35mm Hex Bolts, (2) 8mm Lock Washers and (2) 8mm Flat Washers, (Fig 12). Center the mounting flange on the Bracket with the end of the tube. Snug but do not tighten hardware. Repeat this Step to install the passenger side Mounting Bracket.



STEP 3:

With assistance, line up the mounting tabs on the Bull Bar with the inside of the (2) previously installed Frame Mounting Brackets. Attach the Guard to the Brackets with the included (4) 10mm x 35mm Hex Bolts, (8) 10mm Flat Washers, (4) 10mm Lock Washers and (4) 10mm Hex Nuts, (Fig 13). Snug but do not tighten hardware at this time.

**STEP 4:**

Level and adjust the Guard properly and tighten all hardware.

Models without openings in lower bumper/splash guard for tow hooks.

- a. Hold the splash guard up to the bottom of the bumper and Brackets, (Fig 14). Trace the location of both Brackets on to the back of the cover, (Fig 15).
- b. Temporarily remove the Guard with attached Tube Brackets only.
- c. Cut openings in the cover to clear the Frame Brackets and end of Bull Bar as necessary. For best results, start with a small slot and slowly enlarge the opening to clear the Brackets.
- d. Once cover is properly fit to the Brackets, reinstall the cover and Guard as previously described.
- e. Fully tighten all hardware.

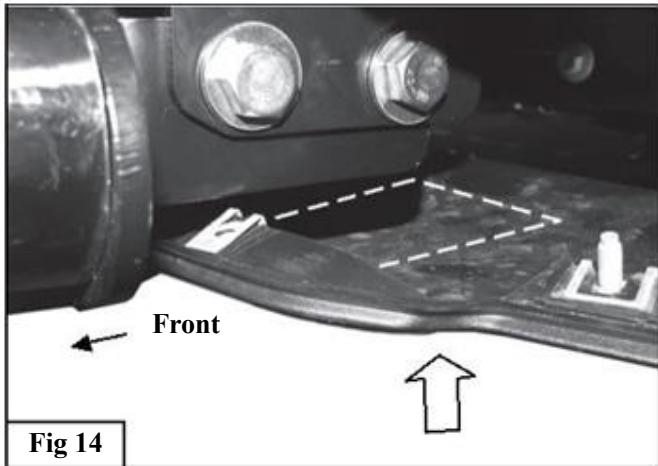
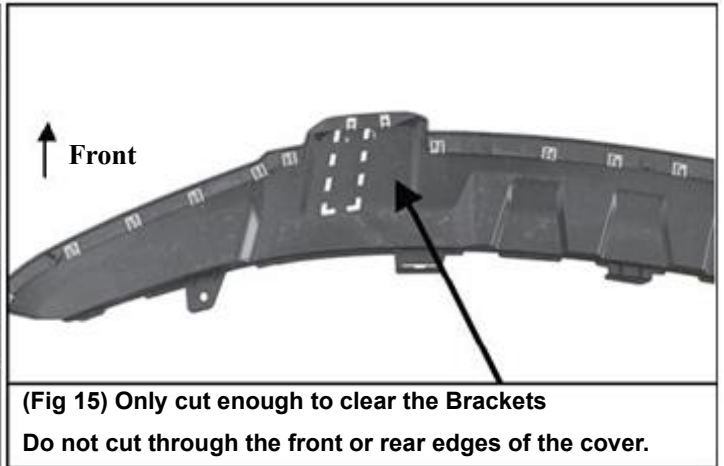


Fig 14

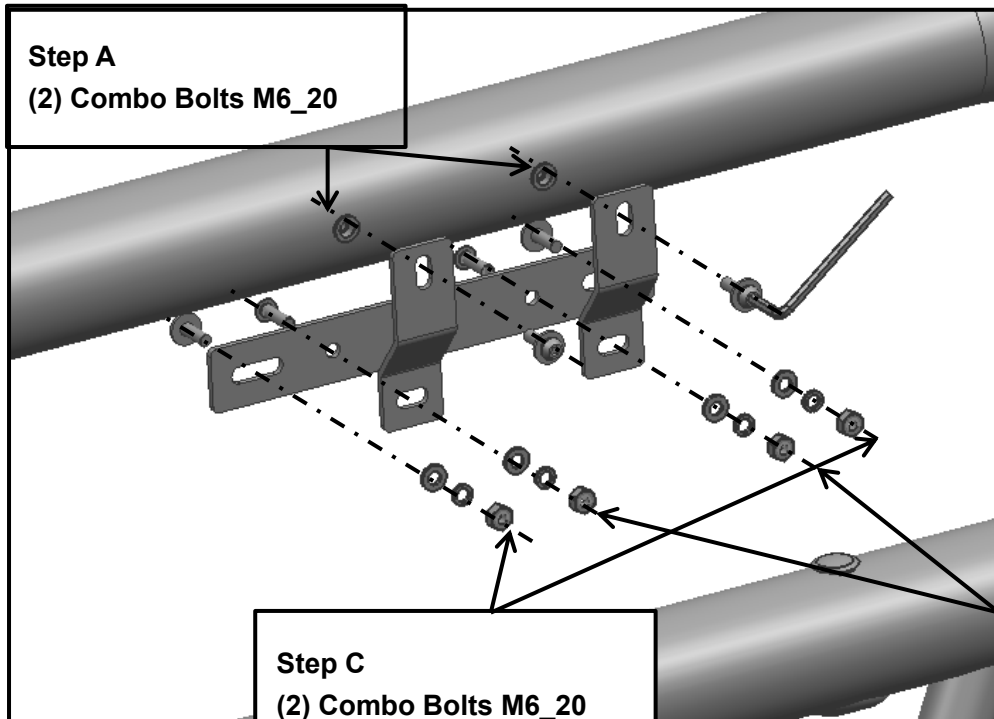


(Fig 15) Only cut enough to clear the Brackets
Do not cut through the front or rear edges of the cover.

STEP 5:

Install the License Plate Bracket

- Connect the License Plate Bracket 1 to the Guard with (2) Combo Bolts,
- Connect the License Plate Bracket 1 and License Plate Bracket 2 with (2) Hex Bolts M6_20, (2) Flat Washers D6, (2) Lock Washers D6, (2) Hex Nuts M6,
- Attach the license plate to the Bracket 2 with (2) Combo Bolts M6_20, (2) Flat Washers D6, (2) Lock Washers D6, (2) Hex Nuts M6.

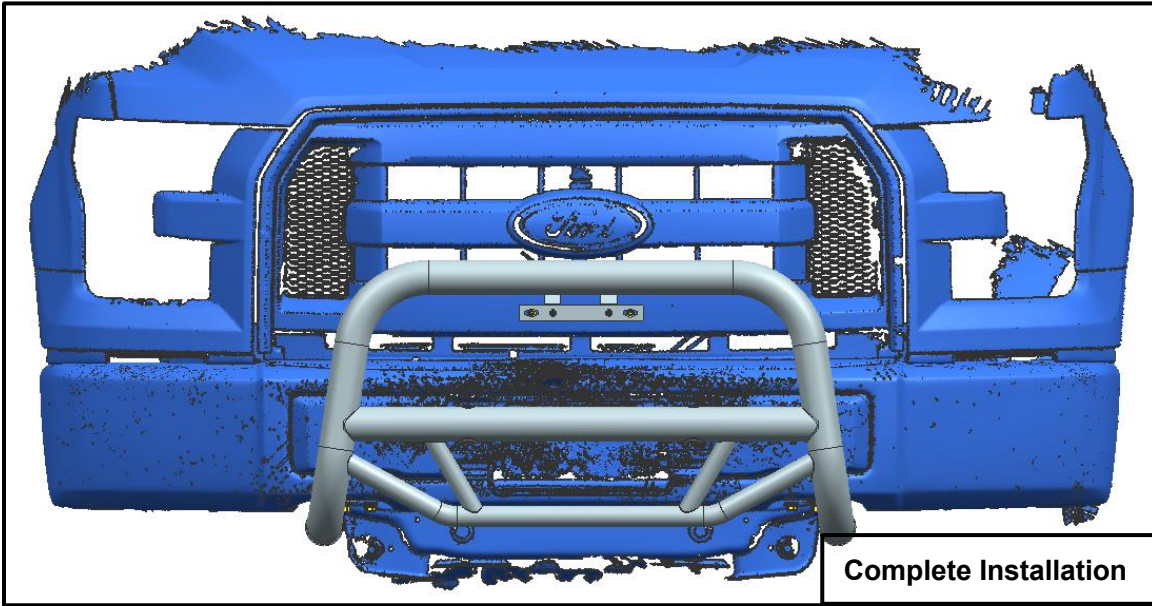


Step A
(2) Combo Bolts M6_20

Step C
(2) Combo Bolts M6_20
(2) Flat Washers D6
(2) Lock Washers D6
(2) Hex Nuts M6

Step B
(2) Hex Bolts M6_20
(2) Flat Washers D6
(2) Lock Washers D6
(2) Hex Nuts M6

STEP 6:



NOTE

Any damages and losses caused by improper installation and application, goes beyond our quality warranty.