



TEL: 1-866-XANATOS

**INSTALLATION INSTRUCTIONS
MAX T BULL BAR FOR 2005-2019 TOYOTA
TACOMA (BBMAX12T+MT04)**

PART # MBT-MT0412

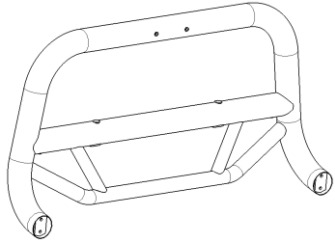
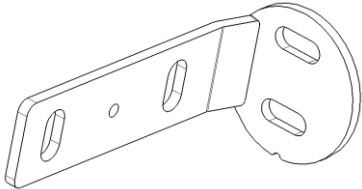
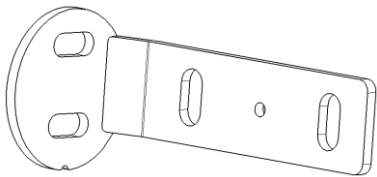
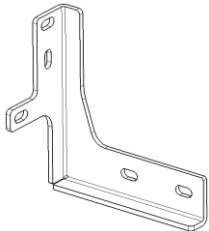
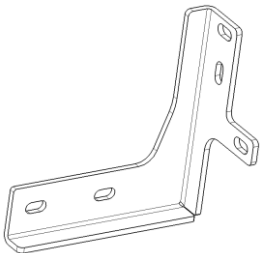
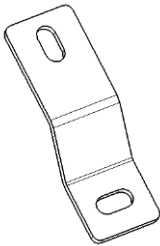
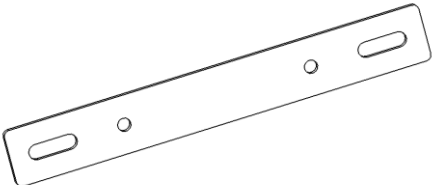
Before Installation

- Please read the instruction carefully before starting installation, which will help you to avoid scratches or other potential damages to your appealing car.
- The figures here are for reference only and may have differences with the actual product you received, however they share the same assembly way.

Care and Cleaning

- Mild soap may be used also to clean the Product.
- Do periodic inspections to the installation to make sure that all hardware is secure and tight.

Parts List

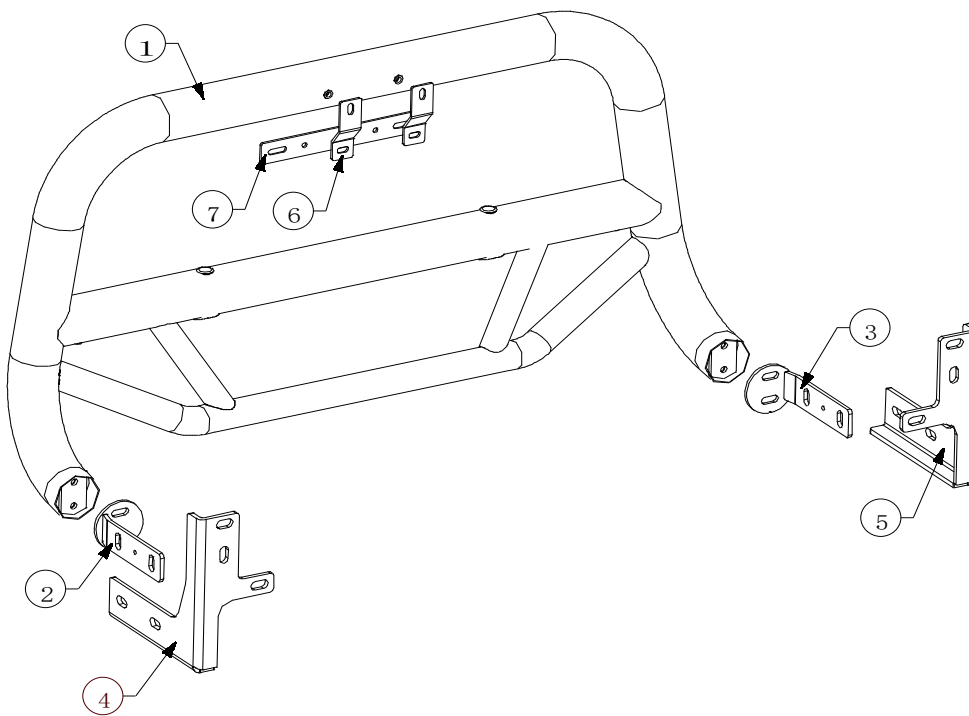
NO.	QTY	NAME	NO.	QTY	NAME
①	1	 BULL BAR	②	1	 Tube Bracket (L)
③	1	 Tube Bracket (R)	④	1	 Mounting Bracket (L)
⑤	1	 Mounting Bracket (R)	⑥	2	 License Plate Bracket 1
⑦	1	 License Plate Bracket 2			

MAX T BULL BAR FOR 2005-2019 TOYOTA TACOMA (BBMAX12T+MT04)

⑧	4	Combo Bolts M6_20	⑨	2	Hex Bolts M6_20
⑩	2	Hex Bolts M10_120	⑪	4	Hex Bolts M10_35
⑫	4	Hex Bolts M8_35	⑬	2	Lock Washers D10
⑭	4	Lock Washers D8	⑮	4	Lock Washers D6
⑯	4	Flat Washers D8_22_2	⑰	12	Flat Washers D10_27_3
⑱	4	Flat Washers D6	⑲	2	Hex Nuts M10
⑳	4	Nylon Lock Nuts M10	㉑	4	Hex Nuts M6
㉒	1	Wrench S=4	㉓	4	Large Spacer Washers

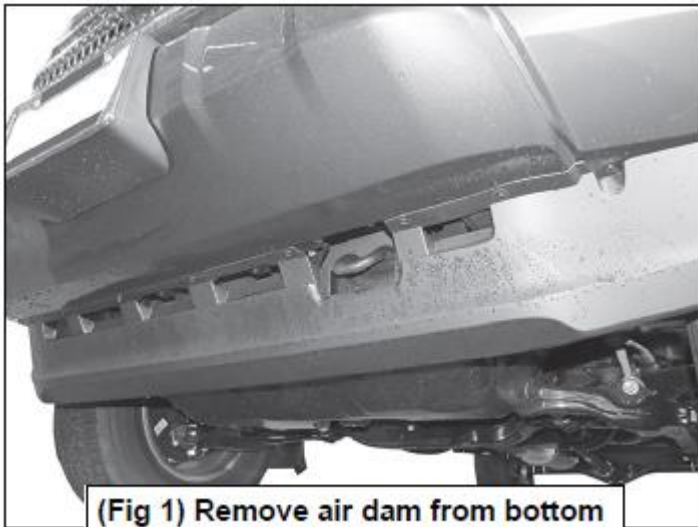
Installation Steps

Installation Fig.



STEP 1:

For 2016-UP models only, remove the plastic lower air dam from the bottom of the front bumper, (Fig 1).

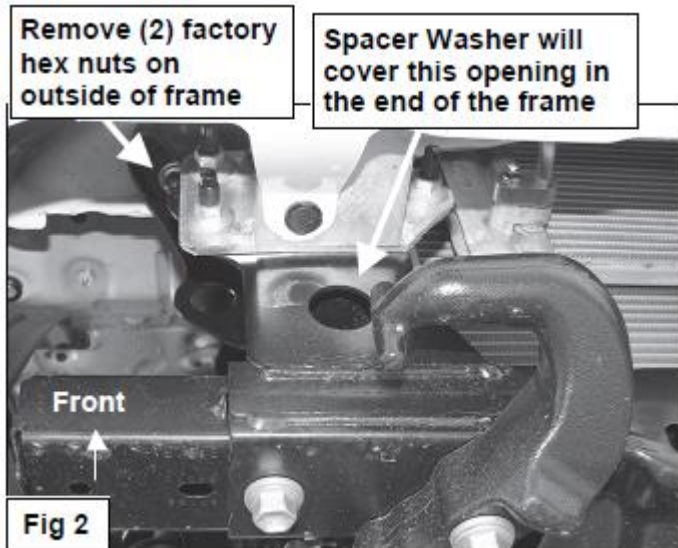


(Fig 1) Remove air dam from bottom of bumper (2016 models only)

STEP 2:

Start installation at the passenger side, front of the vehicle. Remove the (2) outer factory hex nuts attaching the aluminum bumper mount to the end of the frame, (Fig 2).

NOTE: It may be necessary to temporarily remove the factory tow hook from the passenger side.



Remove (2) factory hex nuts on outside of frame

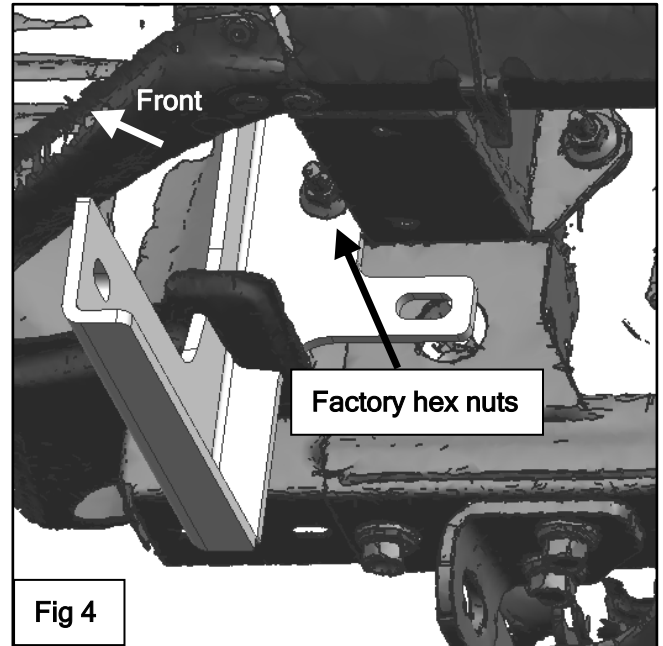
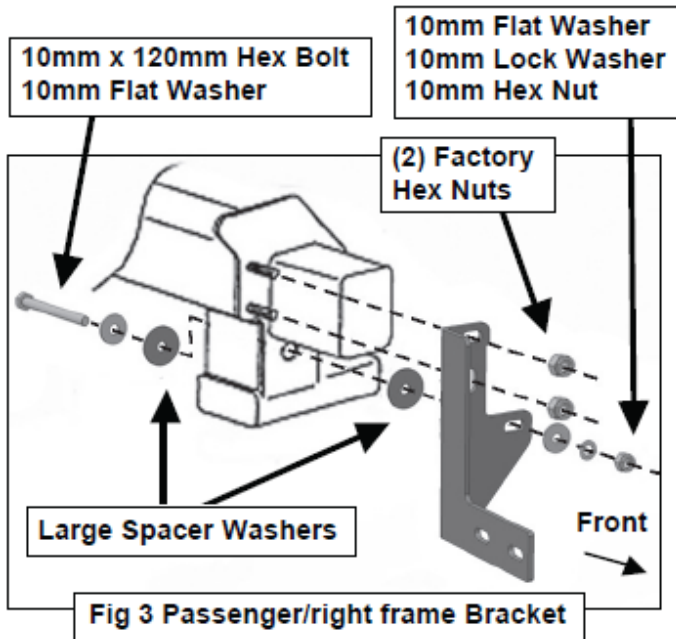
Spacer Washer will cover this opening in the end of the frame

Front

Fig 2

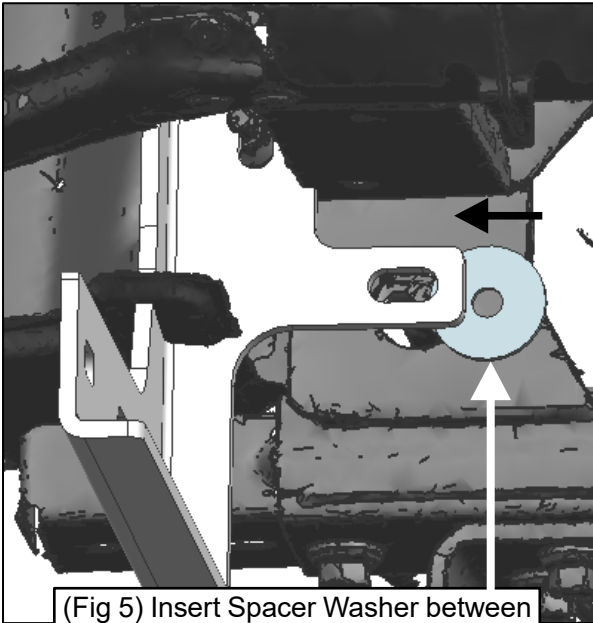
STEP 3:

Select the passenger side Frame Bracket, (Fig 3). Slide the Bracket over the (2) studs. Use the factory hex nuts to attach the Bracket to the studs, (Figs 3-4). Leave hardware loose.

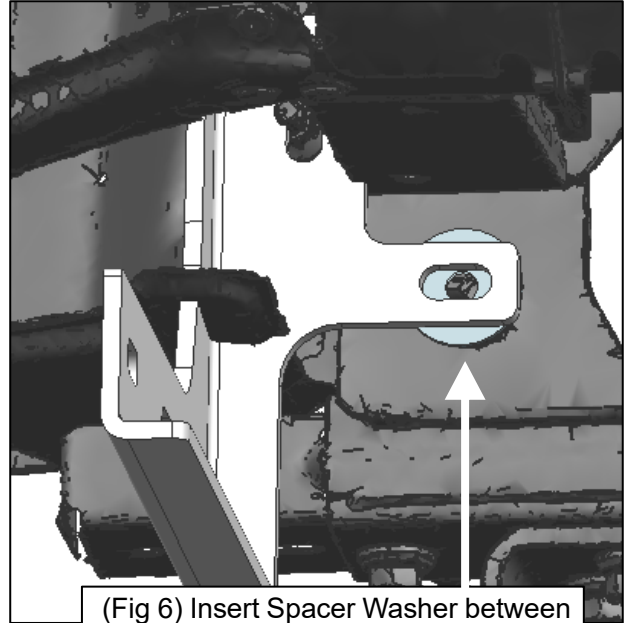
**STEP 4:**

Slide (1) Large Spacer Washer between the Mounting Bracket and the frame cross member, (Figs 3, 5-6). Insert (1) 10mm x 120 mm Hex Bolt with (1) 10mm Flat Washer and (1) Large Spacer Washer into and through the hole in the back of the cross member. Make sure the Spacer Washer is against the cross member covering the large hole, (Figs 3 & 7). Push the long bolt through the outer Spacer Washer and Frame Bracket. Attach the Bracket to the Bolt with (1) 10mm Flat Washer, (1) 10mm Lock Washer and (1) 10mm Hex Nut, (Figs 3 & 8). Leave hardware loose at this time.

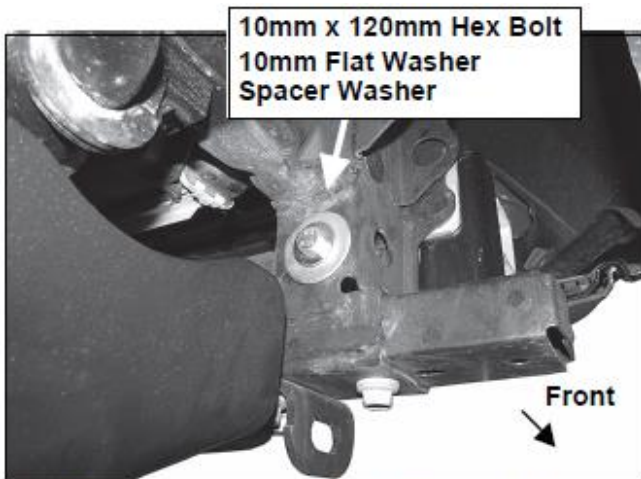
NOTE: Trim plastic splash guards attached to the bottom corners of the bumper as necessary to clear brackets.



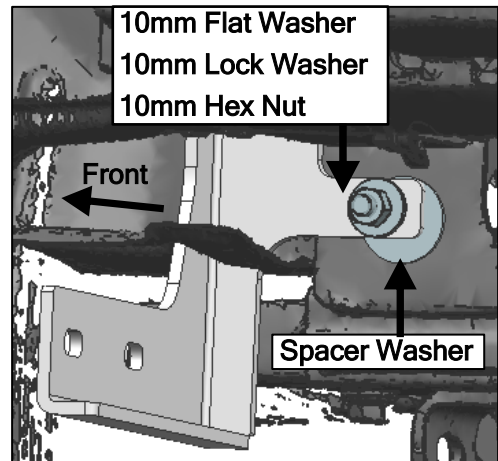
(Fig 5) Insert Spacer Washer between the Mounting Bracket and the frame



(Fig 6) Insert Spacer Washer between the Mounting Bracket and the frame



(Fig 7) Passenger side pictured from behind bumper



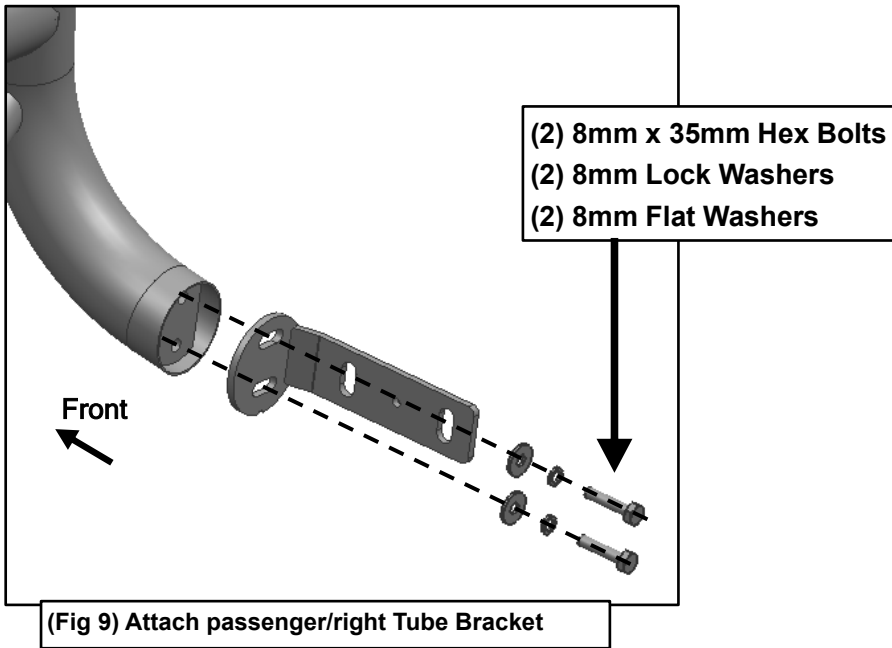
(Fig 8) Passenger side Bracket installation

STEP 5:

Repeat Steps 2-4 for driver/left side Bracket installation.

STEP 6:

Select the passenger/right Tube Mounting Bracket, (Fig 9). Attach the Bracket to the end of the Guard with (2) 8mm x 35mm Hex Bolts, (2) 8mm Lock Washers and (2) 8mm Flat Washers. Center the mounting flange on the Bracket with the end of the tube. Do not tighten hardware. Repeat this Step to attach the driver/left side Tube Bracket.



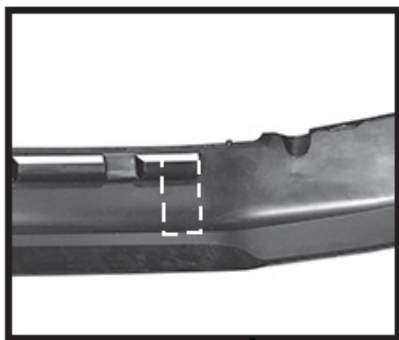
STEP 7:

For 2016-UP models only:

Hold the plastic air dam up in position against the Mounting Brackets. Trace the location of the two Brackets onto the back of the air dam, (Fig 10). Use a sharp knife or hacksaw blade to carefully cut two slots to clear the brackets.

IMPORTANT: Do not cut through the top or bottom edge of the air dam. Do not cut off the mounting tabs from the top of the air dam. For best results, check all measurements before cutting. Start with a small opening and slowly enlarge the slots until Brackets and Guard clear the air dam. Reinstall the air dam but leave hardware loose.

Do not cut through the top or bottom edge of the air dam. Do not cut off the mounting tabs from the top of the air dam.!



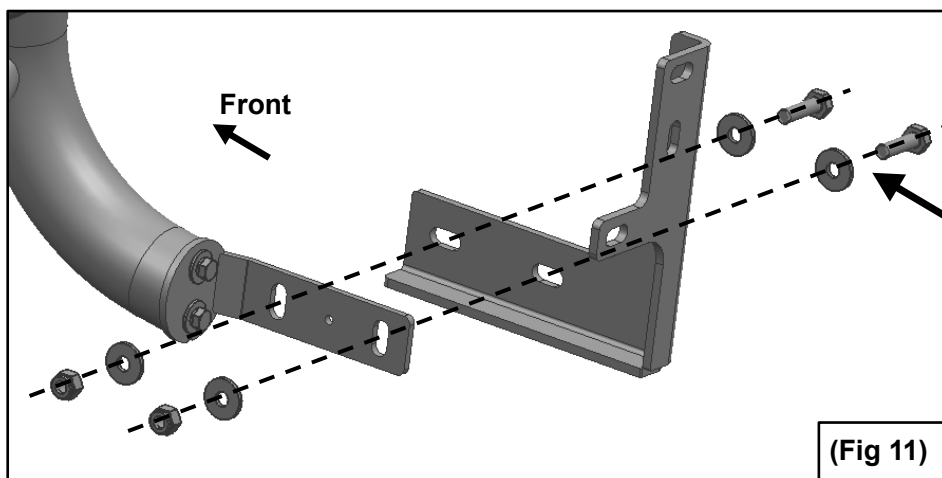
(Fig 10) Dashed lines represent approximate area to cut from air dam and are illustrated for example only

STEP 8:

With assistance, line up the mounting tabs on the Guard and Brackets with the outside of the (2) previously installed Frame Brackets.

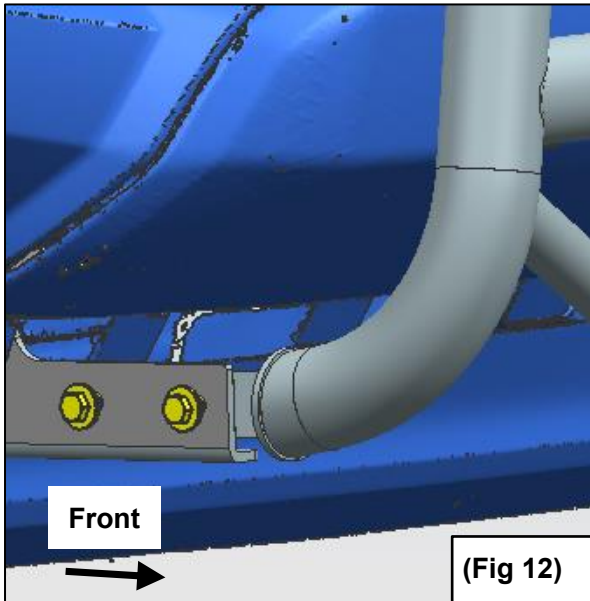
2005-2015 Models:

a. Attach the Tube Brackets to the center and rear holes in the Frame Brackets with the included (4) 10mm x 35mm Hex Bolts, (8) 10mm Flat Washers and (4) 10mm Nylon Lock Nuts, (Figs 11-12). Do not tighten hardware at this time.



(2) 10mm x 35mm Hex Bolts
(2) 10mm Flat Washers
(2) 10mm Nylon Lock Nuts

(Fig 11)



2016-UP Models:

- a. Trim air dam for clearance around Brackets if required.
- b. Attach the Tube Brackets to the forward and center holes in the Frame Brackets with the included (4) 10mm x 35mm Hex Bolts, (8) 10mm Flat Washers and (4) 10mm Nylon Lock Nuts, (Figs 11-12). Do not tighten hardware at this time.

STEP 9:

Level and adjust the Guard and tighten all hardware including factory hardware attaching the air dam to the vehicle, (2016 models only). Reinstall the tow hook if removed.

1. Attach the license plate, (if required), to the threaded holes in the front of the Guard with the included (2) 6mm Combo Bolts.
2. Do periodic inspections to the installation to make sure that all hardware is secure and tight.



NOTE

Any damages and losses caused by improper installation and application, goes beyond our quality warranty.