



BX2142 Installation Instructions 1997-03 Ford Escort ZX2 Sport

Installation of this baseplate requires removal of the lower rock guard under the radiator (this piece is attached to the passenger side rock guard). The passenger side rock guard needs to be loosened with a 1/2" gap.

1. Remove the rock guard directly behind the radiator cross member, which is connected to the passenger side rock guard, surrounding the tow hook.
2. Loosen the passenger side plastic surrounding the tow hook and unplug the running lights.
3. Insert the baseplate through the bottom opening of the bumper molding making sure the attachment tabs protrude through the top outside openings in the grill. Be careful not to scratch the grill area while inserting the attachment tabs. Note: Tape the top and bottom parts of the grill pieces so not to scratch these areas.
4. The tow hooks have four existing holes punched in them. Mount the baseplate to the two center holes (do not use the slotted holes) with the 7/16" Hex bolts, flat and lock washers and Hex nuts included in the bolt bag (Items 2, 3, 4 and 5). Use **Loctite Blue or Red with each bolt and nut to ensure that the bolts do not loosen while the car is being towed.** Tighten bolts according to the Bolt Torque Specification Charts in the General Installation Instruction Sheet.
5. Plug the running lights back in and fasten the lower plastic pieces.
6. Install the tow bar and safety cables according to the instructions included in their packages. Do not substitute other devices if the tow bar pin and clip are lost.
7. **DEALER OR INSTALLER: BE CERTAIN THE USER RECEIVES THE INSTRUCTION SHEET.**

The dimensional variations between otherwise identical cars can be considerable. The location and size of the holes in the baseplate were designed to allow for easy installation, it may be necessary to file a hole slightly.

Tools Required

5/8" Wrench

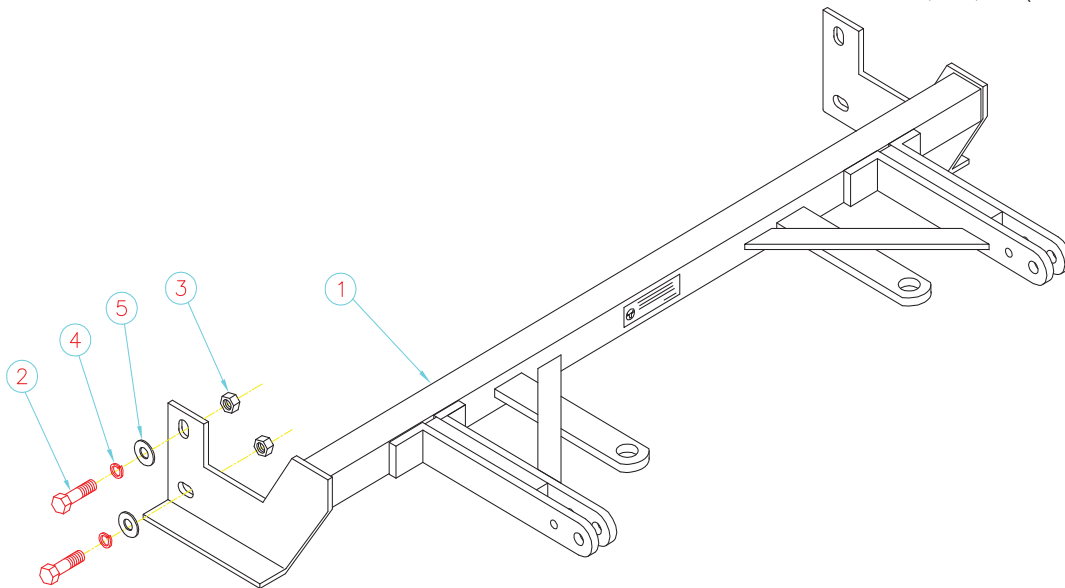
10MM Wrench

Loctite

Masking Tape

Parts List

| Ref. No. | Qty. | Part No. | Description |
|----------|------|---------------|------------------------------------------------|
| 1 | 1 | 61-5240..... | Baseplate, BX2142 |
| 2 | 4 | 201-0451..... | 7/16 - 14 x 1 1/4 Hex Bolt |
| 3 | 4 | 202-0004..... | 7/16 - 14 Hex Nut |
| 4 | 4 | 203-0011..... | 7/16 Lock Washer |
| 5 | 4 | 203-0004..... | 7/16 Flat Washer |
| | 2 | 226-0046..... | Baseplate Safety Cable, 36" CL III (Not Shown) |
| | 2 | 229-0359..... | Quicklink, 3/8, ZP (Not Shown) |



Automatic