

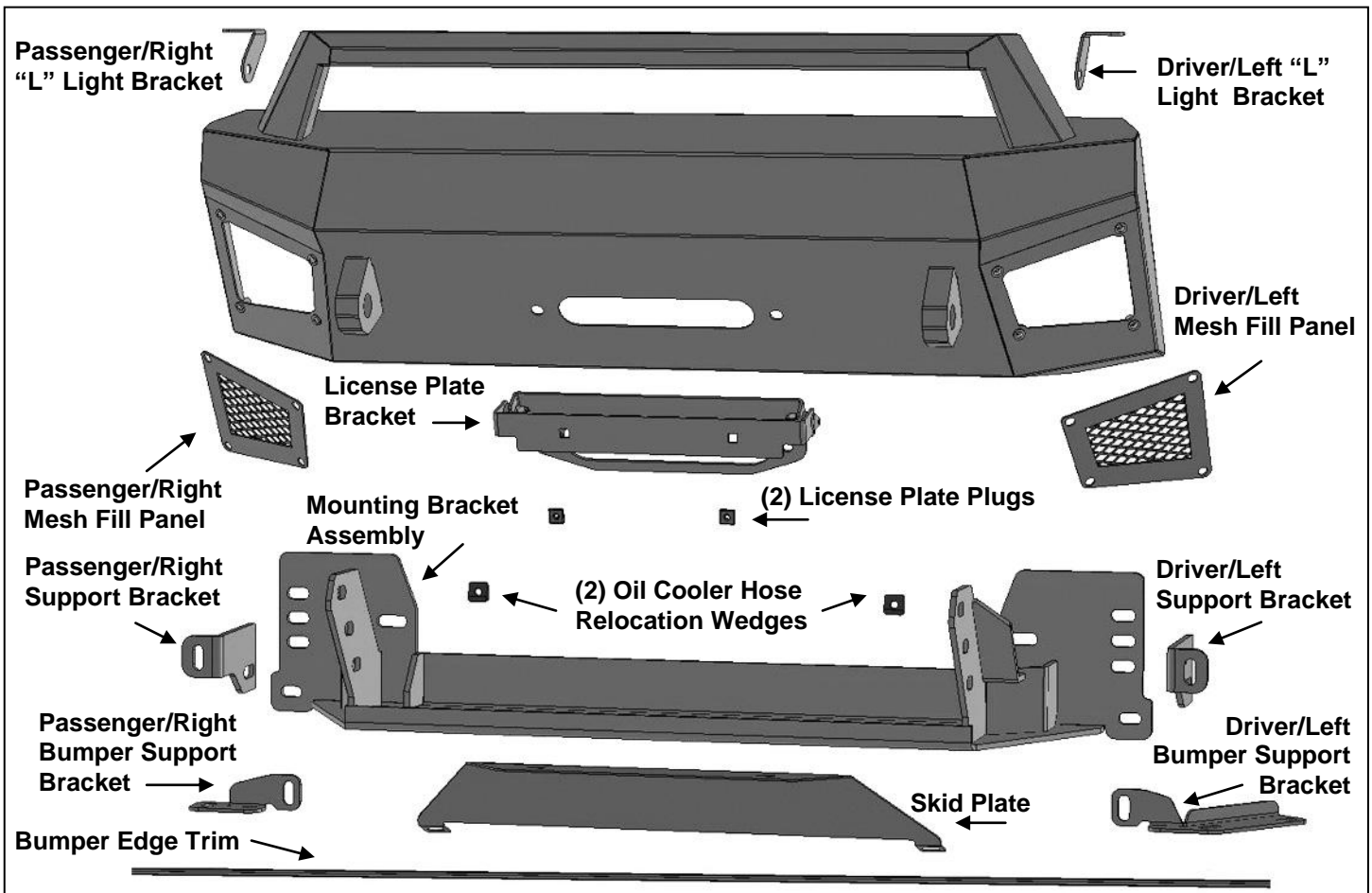
PART #P000008



**Front Bumper for 14-21 Toyota 4-Runner  
(Included winch plate, 20" single row LED light bar)**

**PARTS LIST:**

1	CS-1 "HD" Winch Front Bumper	2	10-1.5mm x 40mm Hex Bolts
1	Winch Tray Bracket Assembly	2	10-1.5mm x 30mm Button Head Bolts
1	Skid Plate	4	10mm x 30mm x 2.5mm Large Flat Washers
1	Driver/left Mesh Fill Panel	4	10mm x 20mm x 2mm Small Flat Washers
1	Passenger/right Mesh Fill Panel	2	10mm Lock Washers
1	Driver/left Tray Support Bracket	2	10mm Hex Nuts
1	Passenger/right Tray Support Bracket	2	10mm Nylon Lock Nuts
1	Driver/left Bumper Support Bracket	2	8-1.25mm x 30mm Hex Bolts
1	Passenger/right Bumper Support Bracket	5	8-1.25mm x 25mm Hex Bolts
2	Cooler Hose Relocation Wedges	2	8-1.25mm x 16mm Hex Bolts
1	Driver/left "L" Top Light Bracket	16	8mm x 24mm x 2mm Flat Washers
1	Passenger/right "L" Top Light Bracket	6	8mm Lock Washers
1	Pivot License Plate Bracket	3	8mm Nylon Lock Nuts
2	Plastic Plugs for License Plate	4	8mm Hex Nuts
1	130mm x 50mm x 3mm Foam Pad (stick on)	8	6mm x 20mm Button Head Combo Bolts
1	1.7m Edge Trim	1	6mm Wrench
2	12-1.25mm x 30mm <b>Special "Fine Thread"</b> Hex Bolts	1	5mm Wrench
6	12-1.75mm x 40mm Hex Bolts	1	4mm Wrench
8	12mm x 24mm x 2.5mm Flat Washers	10	Nylon Wire Ties
8	12mm Lock washers		



## PROCEDURE:

**REMOVE CONTENTS FROM BOX. VERIFY ALL PARTS ARE PRESENT. READ INSTRUCTIONS CAREFULLY BEFORE STARTING INSTALLATION. ASSISTANCE IS HIGHLY RECOMMENDED TO AVOID POSSIBLE INJURY OR DAMAGE TO THE VEHICLE. CUTTING IS REQUIRED.**

1. Remove the license plate and bracket from the bumper cover.
2. Remove the hardware attaching the plastic bumper cover along the bottom, **(Figure 1)**, and ends along the wheel openings, **(Figure 2)**.
3. Pull the fender liner back. On models with factory fog lights, unplug and move the wiring harness leading to the front bumper.
4. Open the hood and remove the plastic cover from the top of the radiator and grille, **(Figure 3)**.
5. Remove the hardware attaching the plastic bumper cover at the top. With assistance, pop the ends off of the inner clips and pull the bumper off and away from the vehicle, **(Figure 4)**. Move bumper cover to a soft, clean surface.
6. Remove the aluminum impact bumper and brackets from the frame, **(Figure 4)**.
7. Determine if the vehicle is equipped with a cooler hose attached to the front of the crossmember, **models without cooler, proceed to Step 8. Models equipped with a power steering cooler:**
  - a. Locate the (2) bolts attaching the hose brackets to the front of the crossmember, **(Figure 5)**.
  - b. Remove the hex bolt attaching the driver/left bracket, **(Figure 5)**. Insert (1) Relocation Wedge between the bracket and the crossmember, **(Figures 6 & 7)**. Reuse the factory hex bolt to attach the bracket to the Wedge and crossmember. If necessary, loosen the hex bolt attaching the passenger/right bracket. Leave hardware loose.
  - c. Repeat the previous **Step** to attach the passenger/right hose bracket to the crossmember.
  - d. Fully tighten the hardware on the hose mounting brackets.
8. If winch will be installed, follow the instructions packaged with the winch to attach it to the top of the winch tray on the Bracket assembly.
9. With assistance, hold the Bracket assembly and winch up to the end of the frame. Reuse the factory hex bolts to attach the Bracket assembly to the frame, **(Figure 8)**. Do not fully tighten hardware.
10. Attach winch cable guide, (not included), to CS1 Bumper. If front license plate is required, attach the License Plate Bracket between the front of the Bumper and cable guide with the included (2) 10mm x 30mm Button Head Bolts, (2) 10mm Flat Washers and (2) 10mm Nylon Lock Nuts, **(Figure 9)**.
11. Attach the CS-1 HD Bumper to the brackets on the Winch Tray assembly with the included (6) 12mm x 40mm Coarse Thread Hex Bolts, (6) 12mm Lock Washers and (6) 12mm Flat Washers, **(Figure 10)**. Do not fully tighten hardware at this time.
12. Move to the bumper cover assembly. On the back of the driver/left side of the bumper cover, locate the point where the vertical ridge molded into the side of the bumper cover ends, approximately 2-3/4" below the outer corner of the grille, **(Figure 11)**. Place a mark at this point. Locate the matching point on the passenger/right side of the bumper and mark the point below the grille. Use removable tape (masking tape for example) or a sharp marking pen and straight edge to draw a straight reference line from point to point across the back of the cover, **(Figures 12, 13 & 15)**. Draw a parallel line 1-3/8" above the reference line. This will be the upper cut line.
13. Locate the vertical molded ridge/bend on the back of the bumper, **(Figure 13)**. Start at the bottom of the bumper and draw a cut line along the top of the ridge/bend to the end, **(Figures 14 & 15)**. **NOTE:** Draw a connecting cut line between the reference line and top cut line approximately 3/8" in from corner bend to leave a lip to attach the Trim Strip, **(Figures 14 & 15)**.
14. Remove the (2) plastic mounts from the center of the bumper cover below the grille, **(Figure 15)**.
15. Use a sharp knife or hacksaw blade to cut out bumper cover along the cut line.
16. Reinstall the cut plastic bumper cover. Check the fit of the cover to the Bumper and trim cover as necessary for best fit. Once all trimming is completed, cover the cut edge of the bumper cover with the included Edge Trim, **(Figure 16)**. Cut the Edge Trim to fit as required. Reattach the fog light wiring harness at this time.
17. Level and adjust the CS1 Bumper and Winch Mount and fully tighten all hardware.
18. Remove the seal covering the threaded hole in the driver/left side of the frame, **(Figure 16)**. Select the driver/left Tray Support Bracket. Attach the Bracket to the threaded hole with the included (1) 12-1.25mm x 30mm **Special Fine Thread Hex Bolt**, (1) 12mm Lock Washer and (1) 12mm Flat Washer,

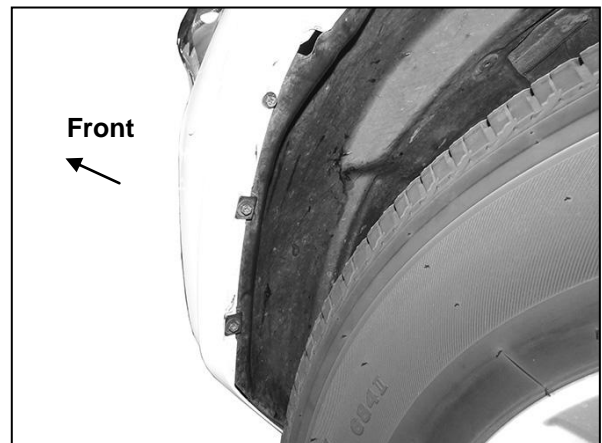
(Figure 17). Leave hardware loose. **IMPORTANT:** Only use the (2) **Special Fine Thread Hex Bolts** to attach the **Support Brackets to the side of the frame** or damage to the frame could result.

19. Select the driver/left Bumper Support Bracket, (Figure 18). Attach the Support Bracket to the front of the Tray bracket and Tray Support Bracket with (1) 10mm x 40mm Hex Bolt, (2) 10mm x 30mm Flat washers, (1) 10mm Lock Washer and (1) 10mm Hex Nut. Leave hardware loose at this time.
20. Attach the bottom of the bumper cover to the driver/left Bumper Support Bracket with the included (2) 8mm x 25mm Hex Bolts, (4) 8mm Flat Washers and (2) 8mm Nylon Lock Nuts, (Figures 19 & 20).
21. Repeat **Steps 17—19** to attach the passenger/right Tray and Bumper Support Brackets.
22. Align bumper cover and fully tighten all attaching hardware.
23. Determine if accessory light, (not included), will be installed on the Bumper Hoop.
  - a. Select the driver/left Top Light Bracket. Attach the Bracket to the slot on the back of the Bumper Hoop with (1) 8mm x 25mm Hex Bolt, (2) 8mm x 24mm Flat Washers, (1) 8mm Lock Washer and (1) 8mm Hex Nut, (Figure 21). Do not tighten hardware at this time.
  - b. Repeat previous Step to attach the passenger/right Bracket.
  - c. Select the 20" light, (not included). Attach the light to the Top Light Brackets with the hardware included with the light or the supplied (2) 8mm x 16mm Hex Bolts, (2) 8mm Lock Washers and (2) 8mm x 24mm Flat Washers, (Figure 21). Adjust and fully tighten light and Bracket hardware.
24. Attach the Mesh Fill Panels to the Bumper with the included (8) 6mm Combo Bolts, (Figure 22).
25. Use the included (2) push-in Plastic Plugs to attach the front license plate, (if required), to the (2) holes in the front of the Bumper, (Figure 22).
26. Models with small plastic splash guard only, use the rear winch mounting bolts to attach the included Skid Plate to the bottom of the CS1 Bumper, (Figure 23). Reuse the factory hardware to attach the Skid Plate to the bottom of the frame. Do not install Skid Plate with larger TRD style skid plate
27. Do periodic inspections to the installation to make sure that all hardware is secure and tight.

**To protect your investment,** Do not use any type of polish or wax that may contain abrasives that could damage the finish. Mild soap may be used to clean the Front Bumper assembly.



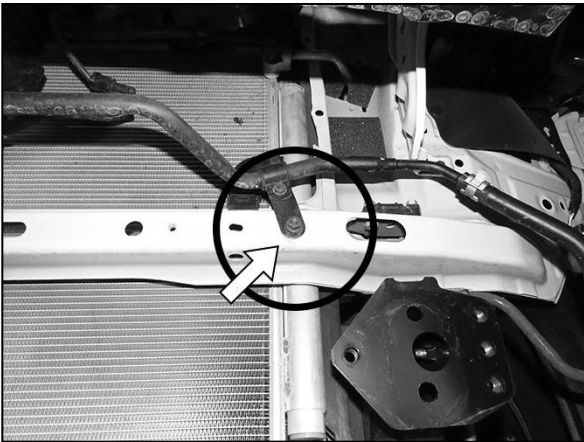
(Fig 1) Remove hardware attaching bottom of plastic bumper cover



(Fig 2) Remove hardware attaching ends of plastic bumper cover along wheel openings



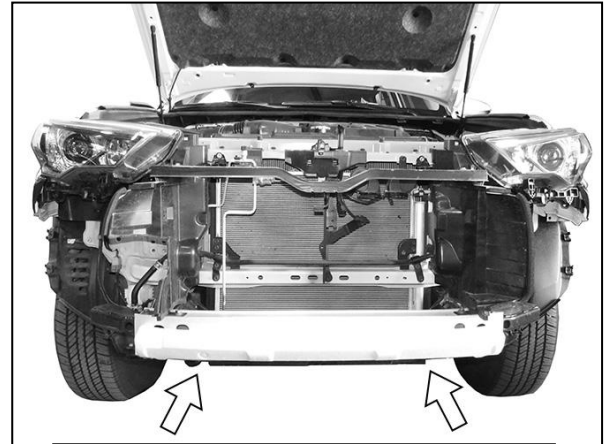
**(Fig 3) Remove plastic cover from top of radiator (arrow)**



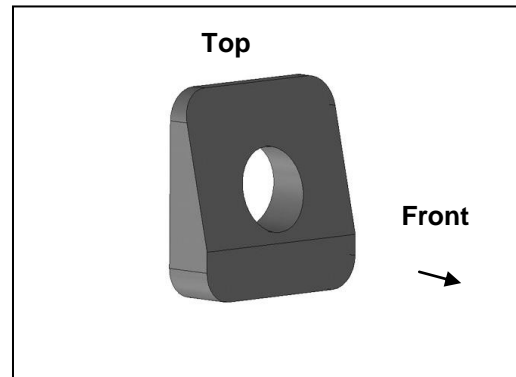
**(Fig 5) Remove hex bolt attaching driver/left bracket to front of crossmember (arrow)**



**(Fig 7) Reuse hex bolt to attach bracket and Wedge to crossmember**

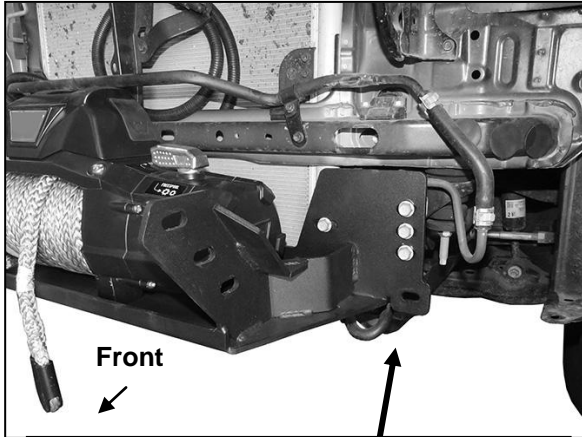


**(Fig 4) Remove plastic bumper cover assembly. Remove inner impact bumper and brackets (arrows)**



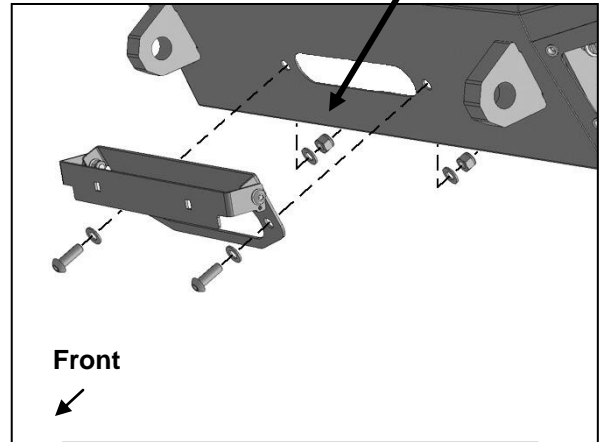
**(Fig 6) Insert Hose Relocation Wedge between bracket and crossmember**

## Driver/left Side Installation Pictured

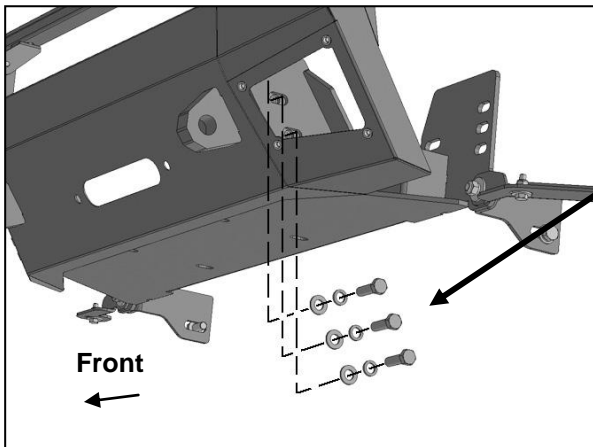


**(Fig 8) Reuse the factory hex bolts to attach the Winch Tray Bracket Assembly to the end of the frame**

- (2) 10mm x 30mm Button Head Bolt
- (4) 10mm x 20mm Small Flat Washers
- (2) 10mm Nylon Lock Nut

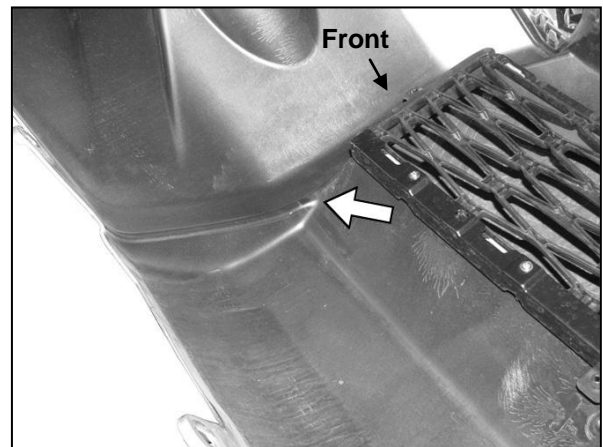


**(Fig 9) Insert License Plate Bracket between cable guide (not included) and front of CS1 Bumper**



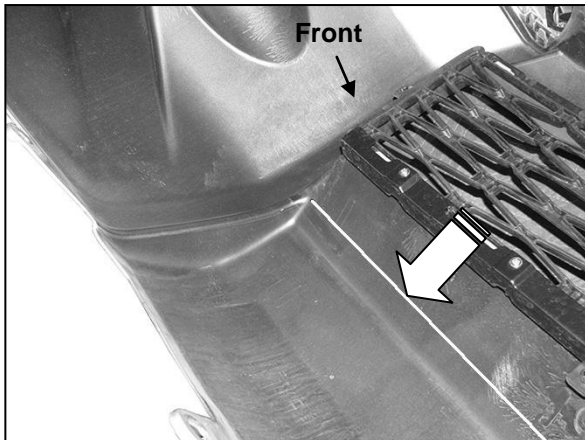
**(Fig 10) Attach CS1 Bumper to Winch Tray Bracket Assembly**

- (3) 12mm x 45mm Hex Bolts
- (3) 12mm Lock Washers
- (3) 12mm Flat Washers

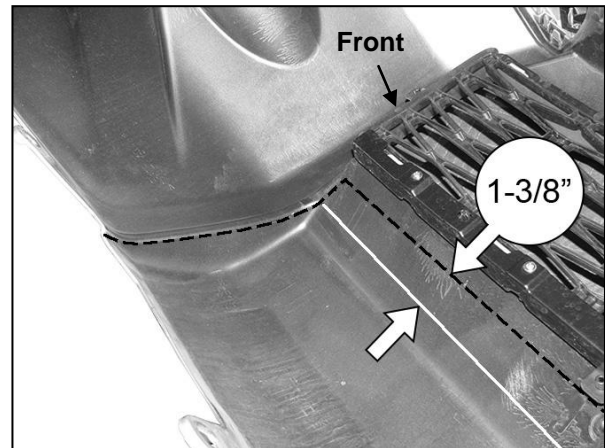


**(Fig 11) Locate end of bend line (arrow) on back of plastic bumper cover (driver/left side pictured)**

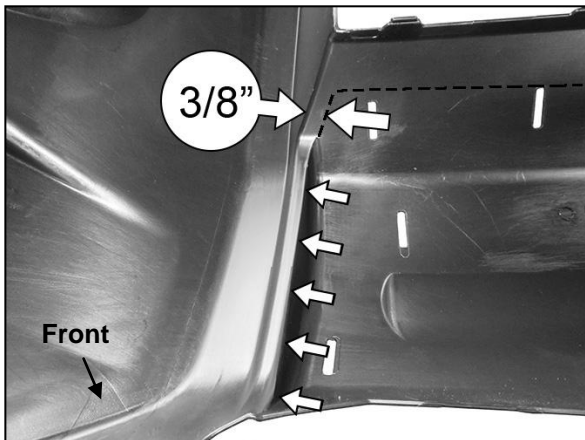
## Driver/left Side Installation Pictured



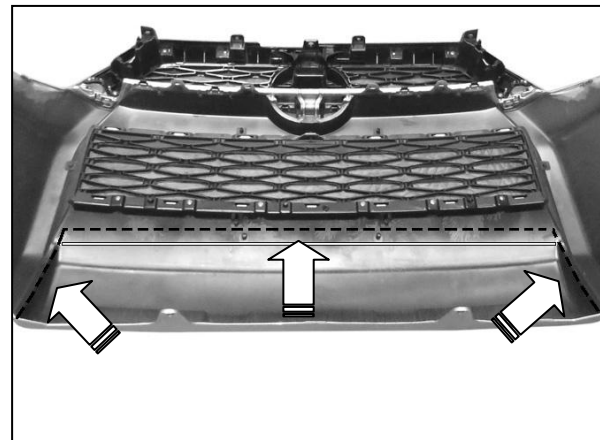
(Fig 12) Draw a reference line across the back of the cover connecting the two points pictured in Fig 11 (driver/left side pictured)



(Fig 13) Draw a cut line 1-3/8" above the reference line (driver/left side pictured)



(Fig 14) Draw an upward line following the bend line (arrows) and up to the horizontal cut line (Fig 13). NOTE: Mark top of line 3/8" in from bend in cover to attach Edge Trim



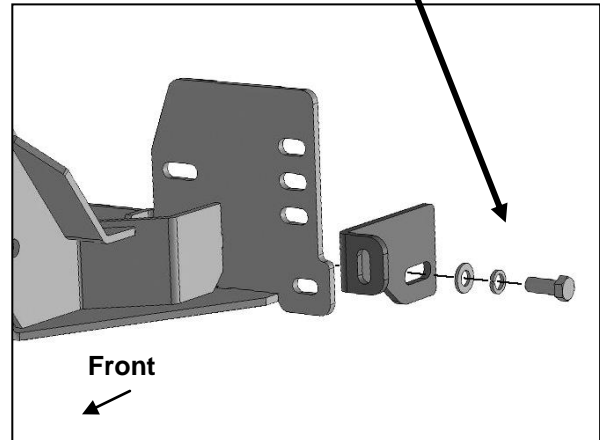
(Fig 15) Cut bumper cover along dashed line

## Driver/left Side Installation Pictured

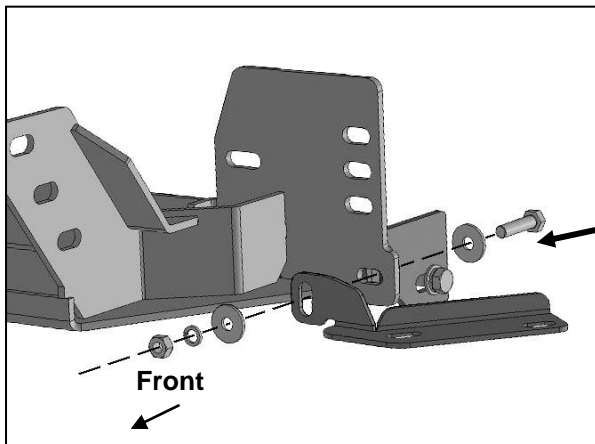


(Fig 16) Remove tape covering threaded hole in end of crossmember (arrow). Driver/left side pictured from below

12-1.25mm x 30 Special  
Fine Thread Hex Bolt  
12mm Lock Washer  
12mm Flat Washer



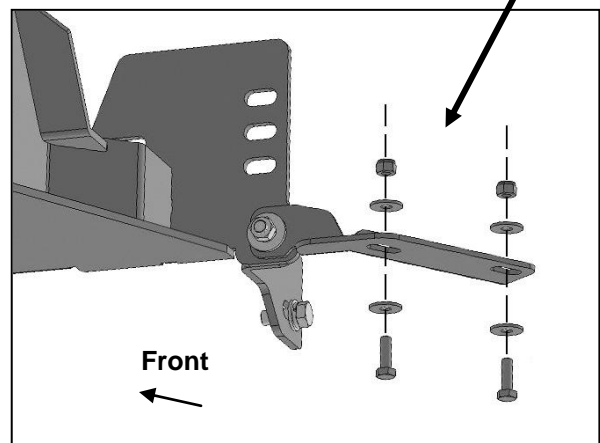
(Fig 17) Attach driver/left Tray Support Bracket to threaded hole in crossmember as pictured in Fig 17



(Fig 18) Attach driver/left Tray Support Bracket to back of mounting plate. Attach Bumper Support Bracket to front of plate

10mm x 40mm Hex Bolt  
(2) 10mm x 30mm Large  
Flat Washers  
10mm Lock Washer  
10mm Hex Nut

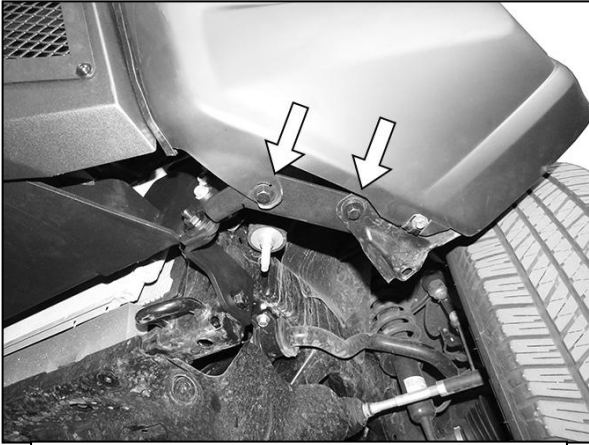
(2) 8mm x 25mm Hex Bolts  
(4) 8mm Flat Washers  
(2) 8mm Nylon Lock Nuts



(Fig 19) Attach driver/left Bumper Cover Support Bracket to back of bumper cover

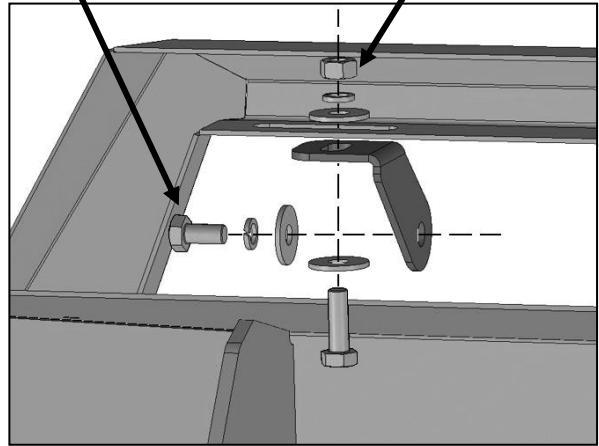


**Driver/left Side Installation Pictured**

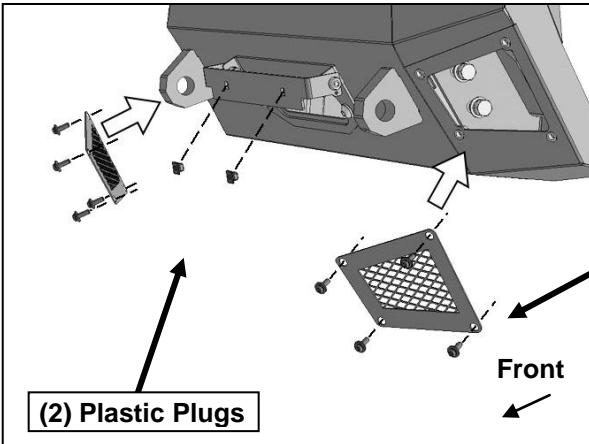


**(Fig 20) Driver/left side of bumper cover attached to Support Bracket (arrows)**

- 8mm x 16mm Hex Bolt  
8mm Lock Washer  
8mm Flat Washer
- 8mm x 25mm Hex Bolt  
(2) 8mm Flat Washers  
8mm Lock Washer  
8mm Hex Nut



**(Fig 21) Driver/left Top Light Bracket installed**

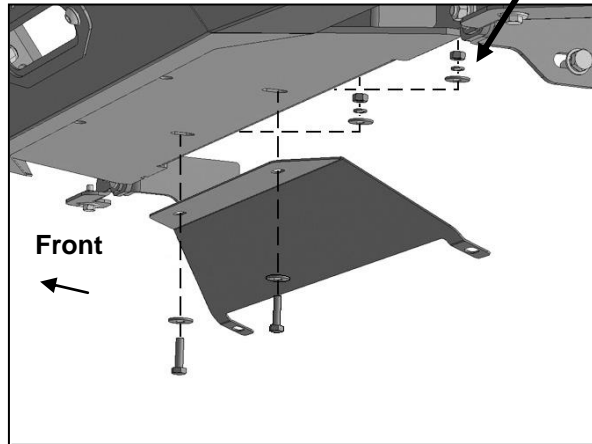


**(2) Plastic Plugs**

**(Fig 22) Attach Fill Panels to CS1 Bumper. Push Plastic Plugs into License Plate Bracket for license plate**

- (4) 6mm x 20mm Combo Bolts

- If installed without winch, use:  
(2) 8mm x 30mm Hex Bolts  
(4) 8mm Flat Washers  
(2) 8mm Lock Washers  
(2) 8mm Hex Nuts



**(Fig 23) Models with small plastic splash guard only, use the rear winch mounting bolts to attach skid plate to bottom of the CS1 Bumper. Reuse the factory hardware to attach the Skid Plate to the bottom of the frame. Do not install Skid Plate with larger TRD style skid plate**



**Complete installation pictured with winch and accessories (not included)**