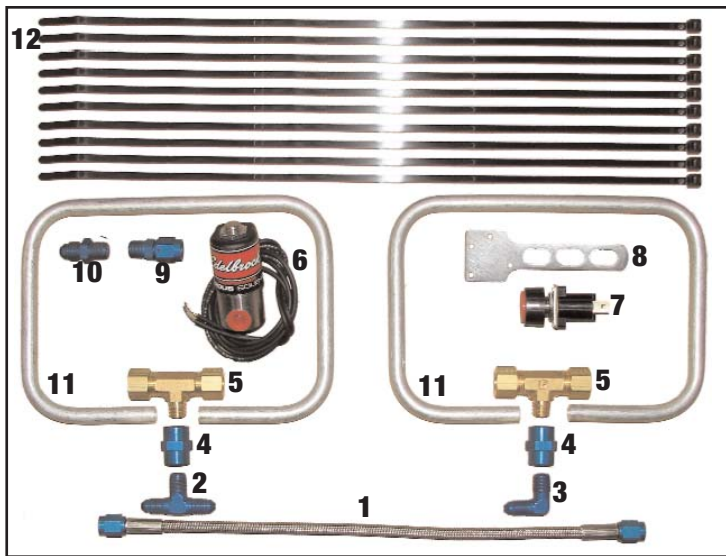


**Edelbrock Nitrous Systems  
Intercooler Spray Bar Kit  
Catalog #70072/#70073  
OWNER'S MANUAL**

**PLEASE** study these instructions carefully before beginning this installation. Most installations can be accomplished with common tools and procedures. However, you should be familiar with and comfortable working on your vehicle. If you do not feel comfortable performing this installation, it is recommended to have the installation completed by a qualified mechanic. If you have any questions, please call our **Technical Hotline at: 1-800-416-8628**, 7:00 am - 5:00 pm, Pacific Standard Time, Monday through Friday or e-mail us at [edelbrock@edelbrock.com](mailto:edelbrock@edelbrock.com).

**IMPORTANT NOTE: Proper installation is the responsibility of the installer. Improper installation will void your warranty and may result in poor performance and engine or vehicle damage.**



#	Qty.	Description
1	1	3AN 12 Inch Hose
2	1	3AN to 1/8" NPT Tee
3	1	3AN to 1/8" NPT 90° Fitting
4	2	1/8" NPT Female Coupler
5	2	Brass Compression Tee
6	1	Performer Nitrous Solenoid
7	1	Push Button
8	1	Micro Switch Bracket
9	1	3AN Feml. to 1/8" NPT Fitting
10	1	4AN to 1/8" NPT Fitting
11	2	Intercooler Spray Bar Ring
12	10	15 Inch Zip Ties

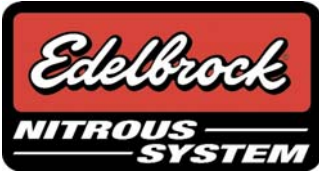
**Assembly**

**Note: All fittings must be sealed using Teflon Paste unless otherwise noted. Do not use Teflon Tape!**

1. Install the 3AN to 1/8" NPT Tee fitting into one of the 1/8" NPT Female Couplers.
2. Install one of the Brass Compression Tee's into the remaining side of the 1/8" NPT Female Coupler. Make sure the outlets for the 3AN outlets and compression fittings are parallel.
3. Place one of the Intercooler Spray Bar ends into the compression fittings of the Brass Compression Tee you just assembled. **Do not use Teflon Paste on the compression fittings.** Tighten these nuts securely, but do not over tighten, possibly stripping the threads of the compression tee.



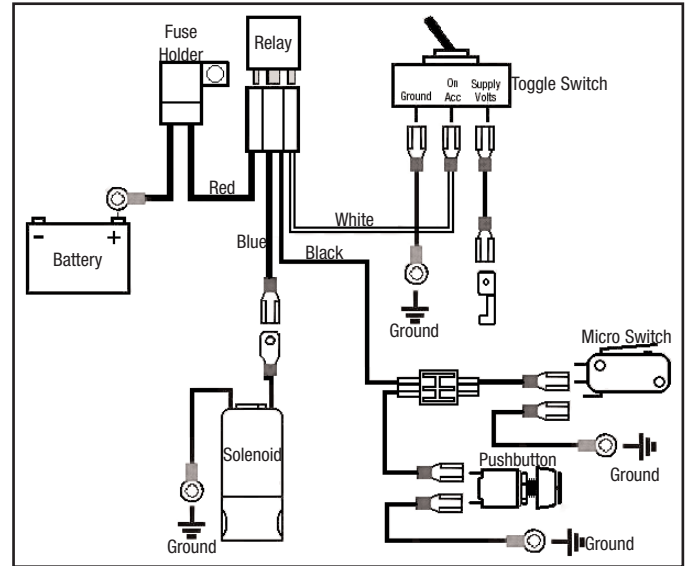
4. Install the 3AN to 1/8" NPT 90° Fitting into the remaining 1/8" NPT Female Coupler.
5. Install the remaining Brass Compression Tee into the open end of the 1/8" NPT Female Coupler. Make sure the outlets for the 3AN and compression fittings are parallel.
6. Use the 3AN hose to connect the two intercooler spray bars together.



**Edelbrock Nitrous Systems  
Intercooler Spray Bar Kit  
Catalog #70072, #70073  
OWNER'S MANUAL**

7. Install the 3AN Female to 1/8" NPT Fitting into the outlet port of the Performer Nitrous Solenoid.
8. Install the 4AN to 1/8" NPT Fitting into the inlet port of the Performer Nitrous Solenoid.
9. Connect the 3AN Female Fitting of the solenoid assembly to the remaining 3AN fitting on the tee of the intercooler spray bar ring.  
**Do not use Teflon Paste on this connection!**
10. Mount the intercooler spray bar rings assembly to the face of the intercooler using the supplied zip ties. Make sure that the holes in the spray bars are facing towards the face of the intercooler.
11. Wire the system using the diagram pictured to the right.

A bottle kit may be required to complete the installation of your Intercooler Spray Bar. You may tee off of your existing nitrous systems bottle, but this method is not advised.



**Edelbrock Corporation  
2700 California St.  
Torrance, CA 90503  
Tech Line: 1-800-416-8628  
E-Mail: Edelbrock@Edelbrock.com**