



FORD PERFORMANCE

M-18954-RA Ranger Tow Hooks - Red Installation

NO PART OF THIS DOCUMENT MAY BE REPRODUCED WITHOUT PRIOR AGREEMENT AND WRITTEN PERMISSION OF
FORD PERFORMANCE PARTS

Please visit www.performanceparts.ford.com for the most current instruction and warranty information.

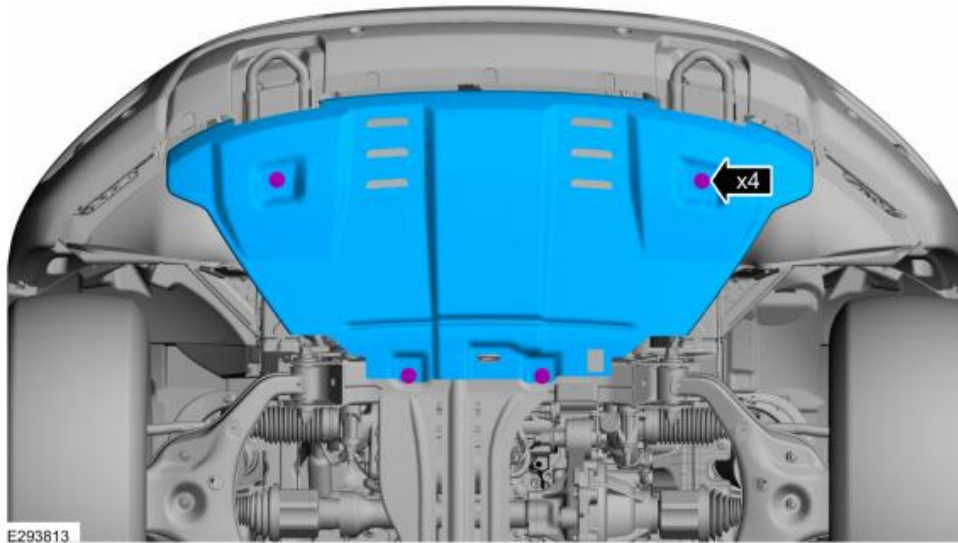
PLEASE READ ALL OF THE FOLLOWING INSTRUCTIONS CAREFULLY PRIOR TO INSTALLATION. AT ANY TIME YOU DO NOT UNDERSTAND THE INSTRUCTIONS, PLEASE CALL THE FORD PERFORMANCE TECHLINE AT 1-800-367-3788

Kit includes:

2 – Tow hooks - Red

If equipped, remove the bolts and the skid plate.

Torque: 22 lb.ft (30 Nm)



If equipped, tilt back and remove the front tow covers.

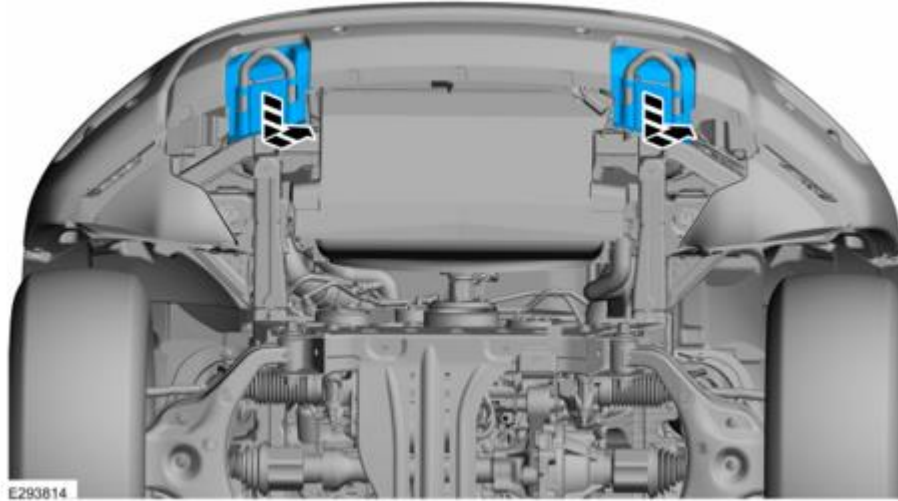
Factory Ford shop manuals are available from Helm Publications, 1-800-782-4356



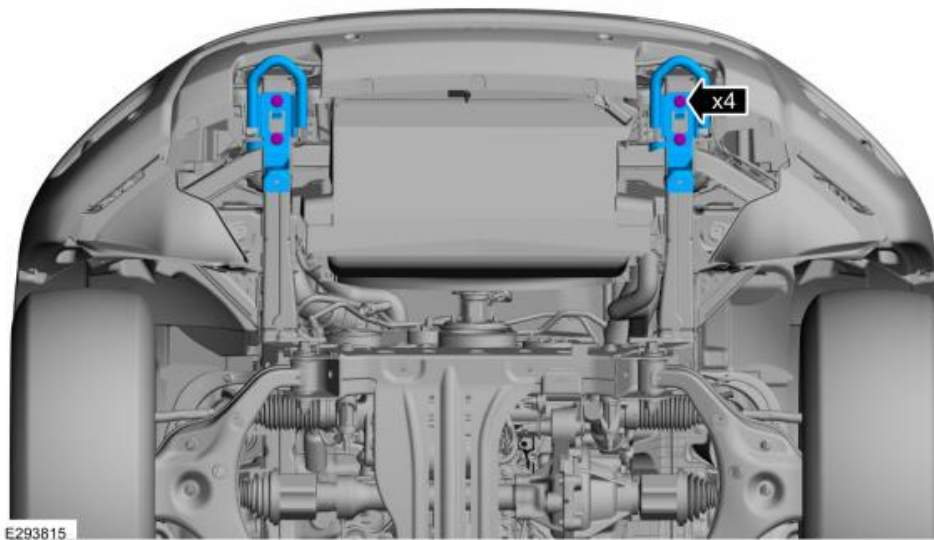
FORD PERFORMANCE

M-18954-RA Ranger Tow Hooks - Red Installation

NO PART OF THIS DOCUMENT MAY BE REPRODUCED WITHOUT PRIOR AGREEMENT AND WRITTEN PERMISSION OF
FORD PERFORMANCE PARTS



Remove the bolts and the front tow hook assemblies.



Install new tow hooks.
Apply thread locking compound to bolts
Torque: 46 lb.ft (62 Nm)

Reverse procedure to re-install tow hook covers and skid plate.

Factory Ford shop manuals are available from Helm Publications, 1-800-782-4356