



FORD PERFORMANCE

Ranger Differential Cover Kit M-4033-R

NO PART OF THIS DOCUMENT MAY BE REPRODUCED WITHOUT PRIOR AGREEMENT AND WRITTEN PERMISSION OF FORD PERFORMANCE PARTS

Please visit www.performanceparts.ford.com for the most current instruction and warranty information.

PLEASE READ ALL OF THE FOLLOWING INSTRUCTIONS CAREFULLY PRIOR TO INSTALLATION. AT ANY TIME YOU DO NOT UNDERSTAND THE INSTRUCTIONS, PLEASE CALL THE FORD PERFORMANCE TECHLINE AT 1-800-367-3788

⚠IMPORTANT: Before installing differential cover, inspect and thoroughly clean interior and exterior housing using an appropriate solvent and clean rag.

Removal

1. Drain the differential fluid by loosening and then removing the factory drain plug located at the lower front driver side of the housing.



Factory Ford shop manuals are available from Helm Publications, 1-800-782-4356



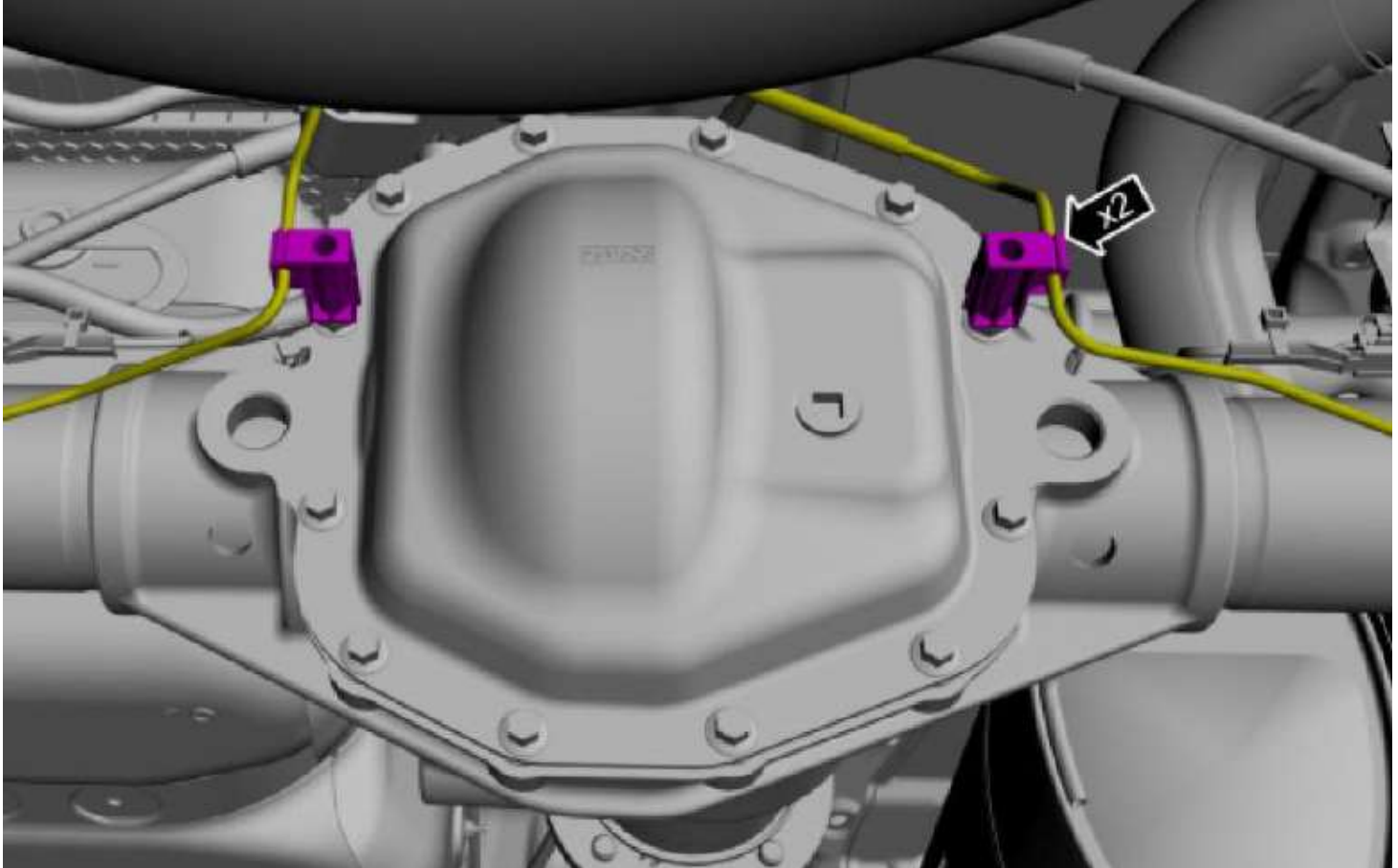
FORD PERFORMANCE

Ranger Differential Cover Kit M-4033-R

NO PART OF THIS DOCUMENT MAY BE REPRODUCED WITHOUT PRIOR AGREEMENT AND WRITTEN PERMISSION OF FORD PERFORMANCE PARTS

2. Detach the brake line retainers from the differential housing cover stud bolts using a small pry tool to lift them straight off.

NOTE: Take care not to damage brake line retainers, they will be reinstalled.



3. Bolt removal.

a. Remove the differential housing cover stud bolts (2) using a deep wall 10mm socket.

NOTE: These will be reused when installing the new differential housing cover.

Factory Ford shop manuals are available from Helm Publications, 1-800-782-4356



FORD PERFORMANCE

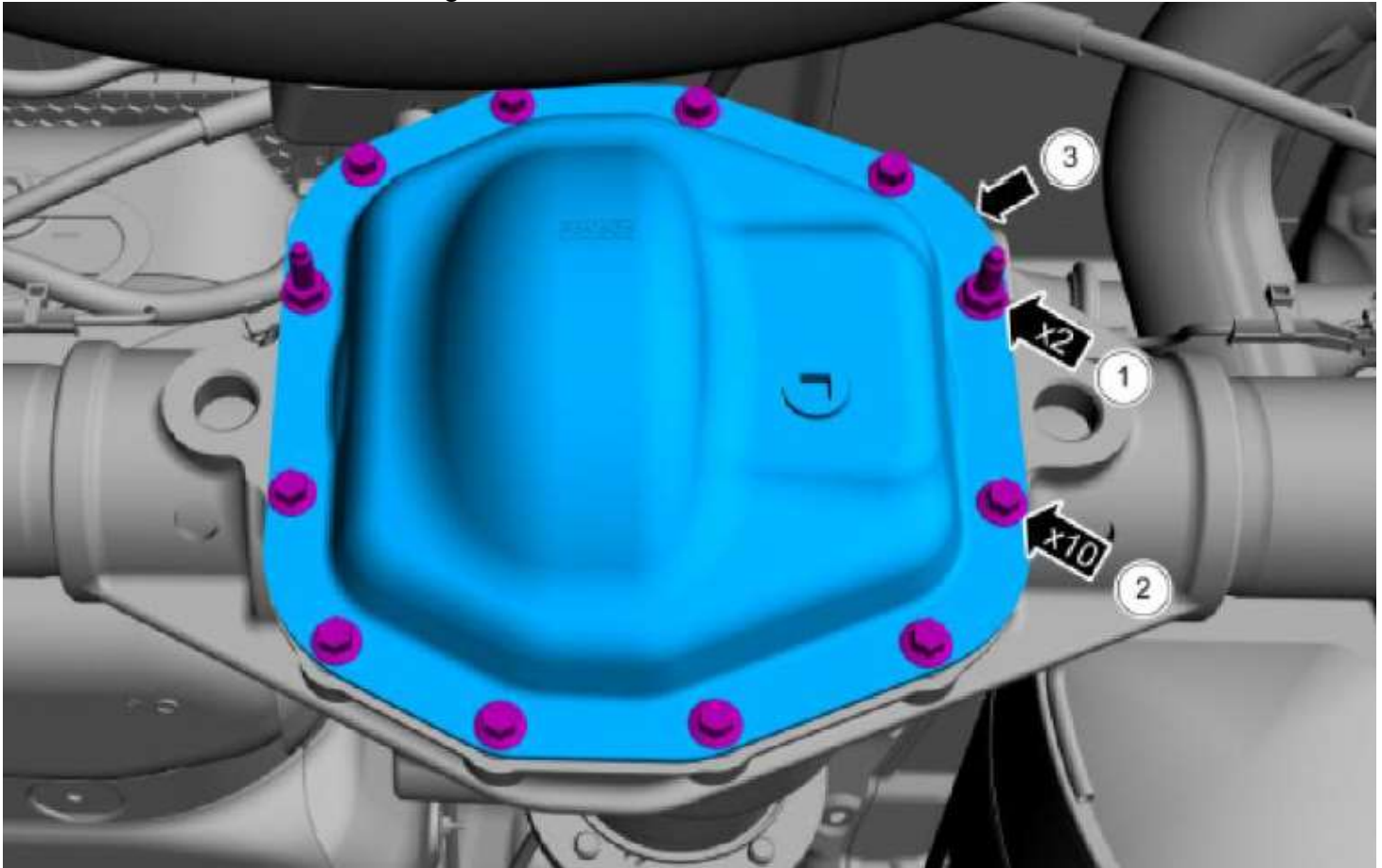
Ranger Differential Cover Kit M-4033-R

NO PART OF THIS DOCUMENT MAY BE REPRODUCED WITHOUT PRIOR AGREEMENT AND WRITTEN PERMISSION OF FORD PERFORMANCE PARTS

b. Remove the differential housing cover bolts (10) using a 10mm socket.

NOTE: *These will not be reused. New bolts are included with differential cover kit.*

c. Remove the differential housing cover.



4. Remove differential cover gasket, discard after removal.

Note: *New gasket included with differential cover kit.*

Note: *Make sure to note the position of the gasket prior to removal.*

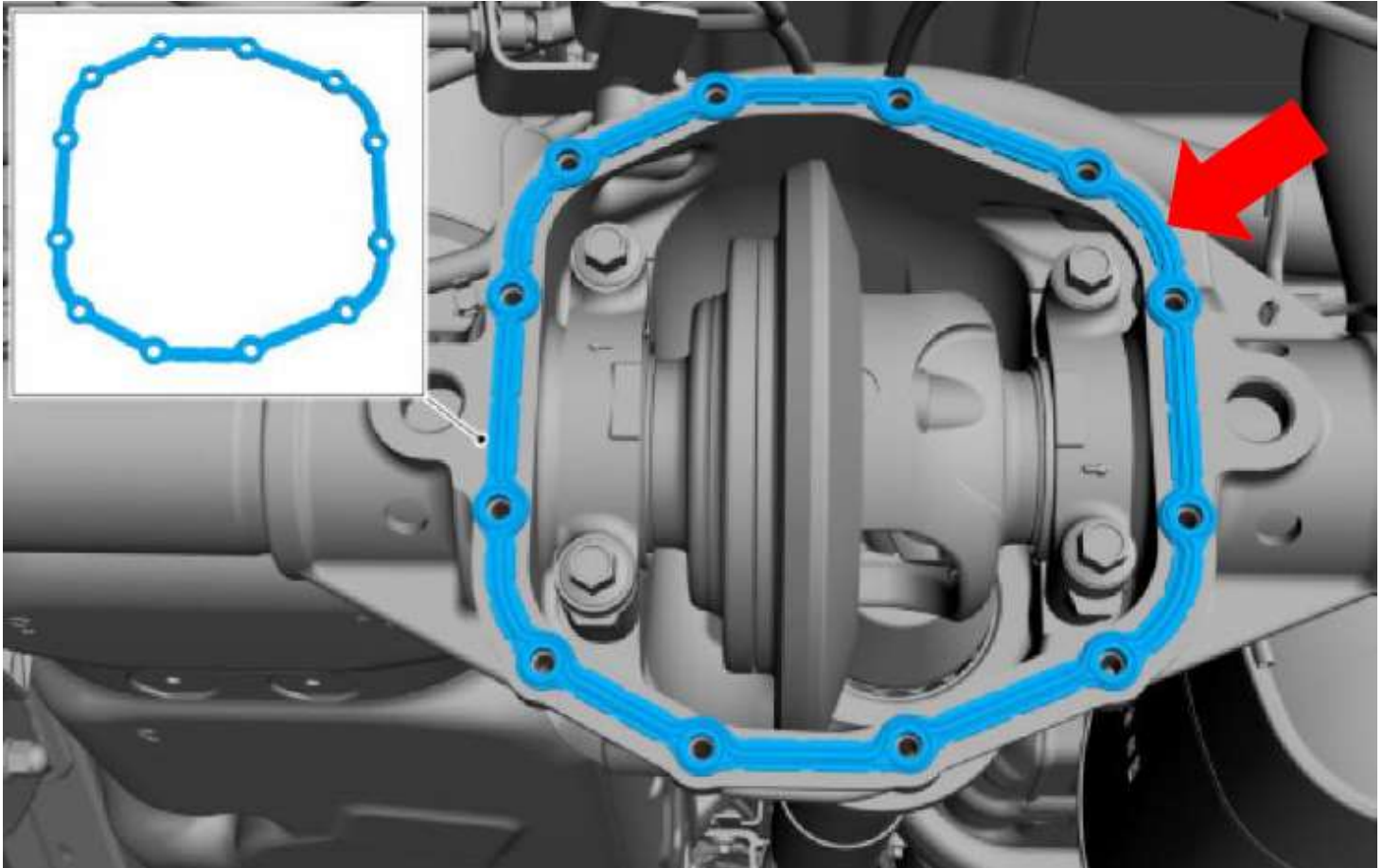
Factory Ford shop manuals are available from Helm Publications, 1-800-782-4356



FORD **PERFORMANCE**

Ranger Differential Cover Kit M-4033-R

NO PART OF THIS DOCUMENT MAY BE REPRODUCED WITHOUT PRIOR AGREEMENT AND WRITTEN PERMISSION OF
FORD PERFORMANCE PARTS



Installation

5. Clean the factory drain plug and apply pipe sealant. Reinstall and tighten drain plug at front, driver's side of housing.

Factory Ford shop manuals are available from Helm Publications, 1-800-782-4356



FORD PERFORMANCE

Ranger Differential Cover Kit M-4033-R

NO PART OF THIS DOCUMENT MAY BE REPRODUCED WITHOUT PRIOR AGREEMENT AND WRITTEN PERMISSION OF FORD PERFORMANCE PARTS

6. Clean the entire gasket mating surface of the axle and the differential housing cover with an appropriate solvent and clean rag.

NOTE: Make sure the gasket mating surface is free of oil or debris before applying new gasket.

NOTE: If rust is present, smoothen out any hard edges by scraping away some of the rust.



7. Install differential housing cover and gasket using bolts supplied in the differential housing cover kit (10) and the two (2) brake cable retainer studs.

TORQUE: Tighten both the bolts and brake cable retainers to 20 – 25 lbs. ft. (27 – 34 Nm)

NOTE: Brake cable retainer stud locations can be seen in step #2 above.

8. Tighten the drain plug located at the upper fill plug hole location since this will not be used.

9. Fill differential with approximately 1.5 quarts of axle lubricant through the bottom fill plug hole. Fill until lubricant begins to drain out of the bottom fill plug hole.

NOTE: XY-80W90-QL axle lubricant recommended.

Factory Ford shop manuals are available from Helm Publications, 1-800-782-4356



FORD PERFORMANCE

Ranger Differential Cover Kit M-4033-R

NO PART OF THIS DOCUMENT MAY BE REPRODUCED WITHOUT PRIOR AGREEMENT AND WRITTEN PERMISSION OF
FORD PERFORMANCE PARTS

NOTE: *Bottom hole matches the OE fill plug location.*

IMPORTANT!!! *Do not overfill! Too much lubricant can result in oil pushing out the vent hose.*



10. Tighten lower fill plug hole after differential has been refilled with lubricant to finish the differential housing cover installation.

11. Reinstall the plastic brake cable retainers onto the studs by pressing them onto the two (2) brake cable retainer studs.

Factory Ford shop manuals are available from Helm Publications, 1-800-782-4356