



# Assembly, Installation, Operation and Maintenance Instructions Truck Bed Extender

**Part Number  
944H**

**Install Time  
30 minutes**

## Dealer / Installer:

Provide a copy of these instructions to the end user of this product. These instructions provide important operating and safety information for proper usage of this product. Demonstrate the proper use of the product with the end user. Have the end user demonstrate that they understand the proper use of the product.

## End User:

Read and follow all instructions included in this manual. Ask your Dealer / Installer for assistance if you do not understand the proper use of the product. Never remove any decals from the product. Failure to follow these instructions can result in product failure or poor performance.

**APPLICATION: Universal – Standard 2" Receiver Hitch**

**⚠ WARNING ⚠ DO NOT EXCEED Recommended weight capacity. 350 lb. Maximum Weight Capacity**

### ⚠ WARNING ⚠

#### To prevent serious injury and/or death:

- Inspect for signs of wear, corrosion and fatigue before each use. Do not use if bent or deformed.
- Do not exceed the 350 lb. capacity of the truck bed extender.
- Always comply with local rules and regulations regarding cargo that extends past the vehicle.
- Read, follow and understand all warnings and instructions for safe use.

### Item Specification

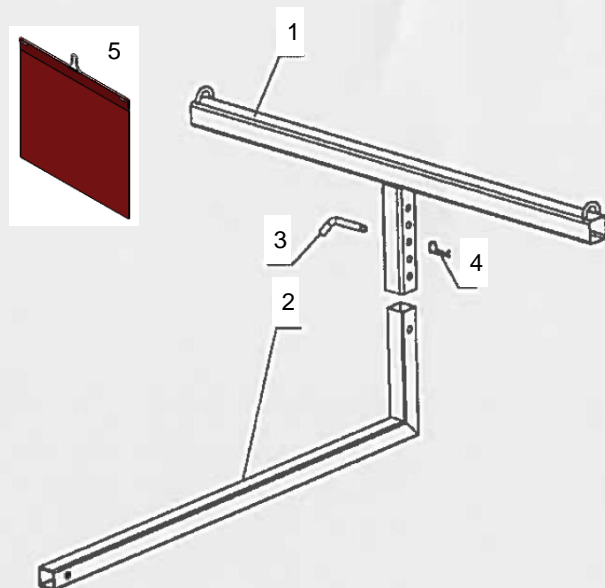
Load Capacity	350 lbs.
Vehicle Hitch Receiver Size	2" (Class III or IV Tow Rating)

### Required for Installation

Description	Part No.	Qty
Receiver Pin/Clip	33790	1
Hitch Lock	33159	1

### Parts List

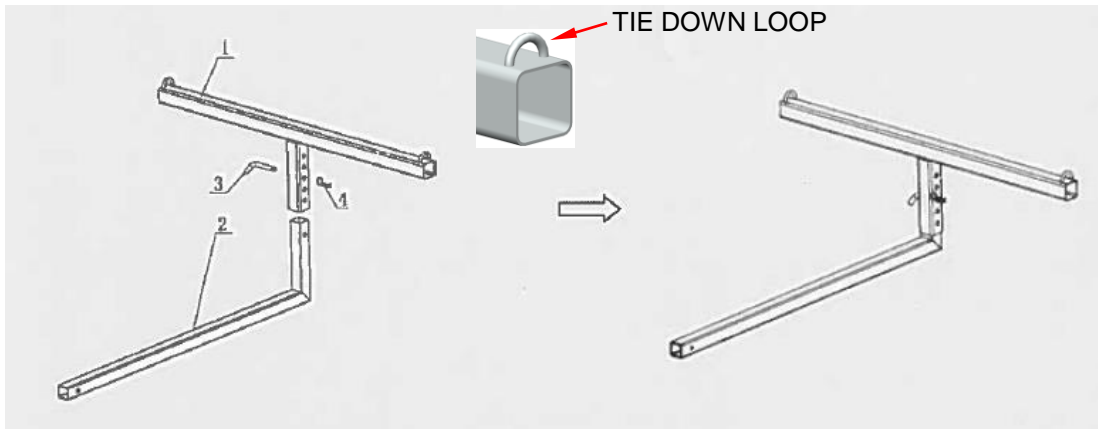
Part No.	Description	Qty
1	T-Support	1
2	L-Extension	1
3	Receiver Pin	1
4	Cotter Pin	1
5	Red Flag	1



## INSTALLATION PROCEDURE:

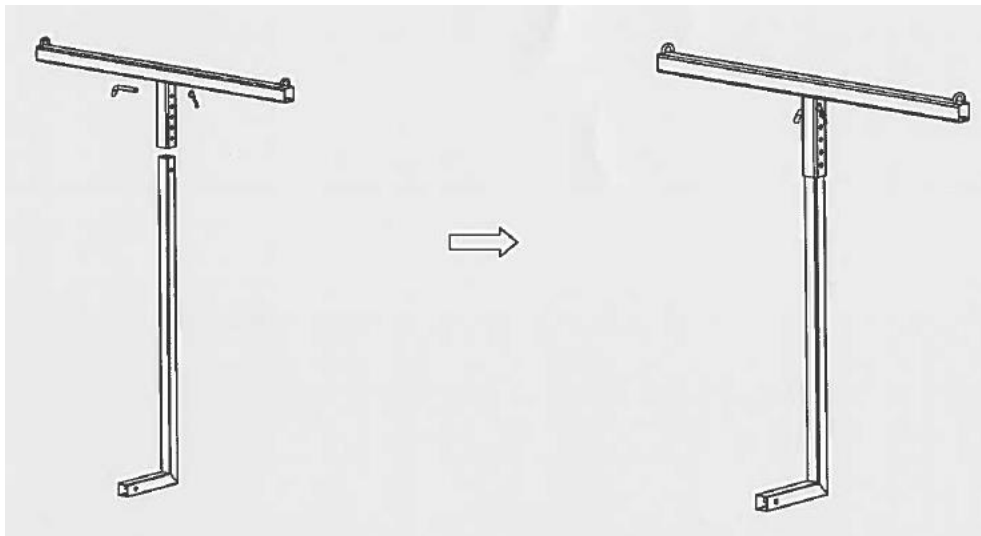
To use Truck Bed Extender at the bed height:

1. Insert the long end of the L-Extension (Part # 2) into the receiver hitch of the vehicle.
2. Insert the T-Support (Part # 1) on to the short end of the L-Extension (Part #2); adjust to the proper bed height.
3. Insert the provided Receiver (Part # 3) and Cotter Pin (Part # 4) at the desired height for support of cargo at the bed.



To use Truck Bed Extender at roof height:

1. Insert the short end of the the L-Extension (Part # 2) into the receiver hitch of the vehicle.
2. Insert the T-Support (Part # 1) on to the long end of the L-Extension (Part #2); adjust to the proper roof height.
3. Insert the provided Receiver (Part # 3) and Cotter Pin (Part # 4) at the desired height for support of cargo at the roof.



**\* Note a Husky Towing pin/clip (part # 33790), receiver hitch lock (part # 33159) or other pin/clip or hitch lock will be needed to secure the Truck Bed Extender to the receiver hitch. Pin/Clip NOT Provided.\***

# Warranty Terms:

## 3 Year Limited Warranty:

This warranty applies solely to Husky 5<sup>th</sup> Wheel Hitches manufactured by Keystone Automotive Operations Inc. for Husky Towing Products.

Husky Towing Products and Keystone Automotive Operations Inc. make no guarantees or warranties for products not manufactured by Keystone Automotive Operations Inc. Such products are covered solely under any applicable warranty of the manufacturer. It is always recommended that the operating instructions and warranty instructions provided by the manufacturer are followed.

Keystone Automotive Operations Inc. warrants its products to be free from manufacturing and material defects to the original purchaser for the length of warranty stated above from the date of retail purchase. If any products are found to have a manufacturing or material defect, the product will be replaced or repaired at the option of Husky Towing Products and Keystone Automotive Operations Inc. with proof of purchase by the original purchaser. The original purchaser shall pay all transportation and shipping costs associated with the return of the defective product and the defective product shall become the property of Keystone Automotive Operations Inc.

The Warranty applies to Keystone Automotive Operations Inc. products used for individual and recreational purposes. Commercial usage of the Keystone Automotive Operations Inc. products limits the warranty to 90-days from date of purchase.

The Warranty applies only to Keystone Automotive Operations Inc. products which are found to be defective in manufacturing or material. This warranty does not apply to normal wear and tear of the finish placed on Keystone Automotive Operations Inc. products.

Husky Towing Products and Keystone Automotive Operations Inc. are not responsible for any labor costs incurred for removal or replacement of the defective product.

Husky Towing Products and Keystone Automotive Operations Inc. are not responsible for repair or replacement of any product under the limited warranty where the product was improperly installed, misapplied, altered, abused, neglected, overloaded, misused or damaged as a result of an accident, including any use of the product not in accordance with all product operating and safety instructions.

Without limiting the generality of the foregoing, Husky Towing Products and Keystone Automotive Operations Inc. shall under no circumstances be liable for any incidental or consequential loss or damage whatsoever arising out of, or in any way relating to any such breach of warranty or claimed defect in, or non-performance of the products. Some states do not allow the exclusion or limitation of incidental or consequential damages, so the above exclusion or limitation may not apply to you.

This limited warranty gives you specific legal rights, and you may also have other rights that vary from state to state.