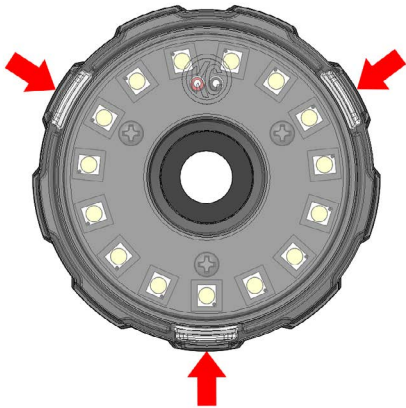
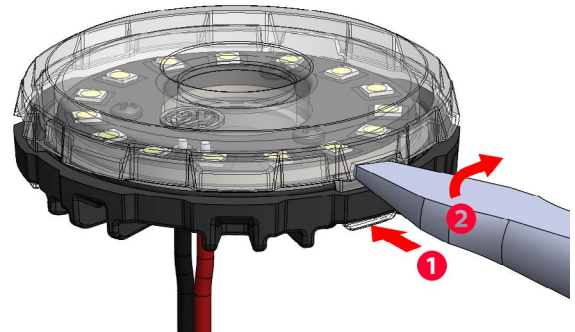


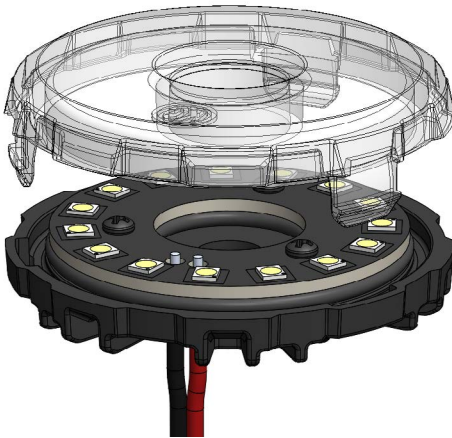
INSTRUCTIONS TO REMOVE LENS



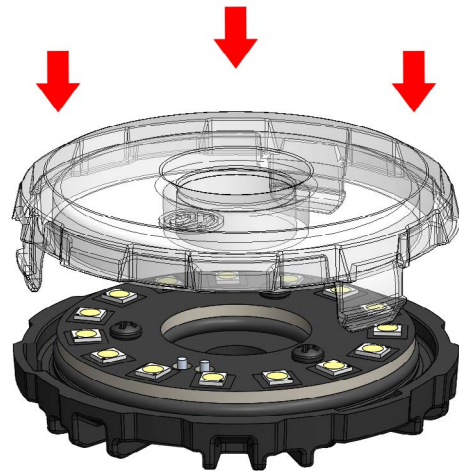
1. Locate the three opening slots.



2. Insert flat head screwdriver and with slight pressure twist the screwdriver.



3. Release and remove lens



4. Press down firmly with equal pressure around the light to snap in new lens. (There should be no gaps between lens and light).

PRODUCT REGISTRATION

Thank you for becoming part of the KC family and purchasing one of our premium KC products! With over 50 years of history in the auxiliary lighting market, you have become a part of our ever growing family, and we encourage you to register your product online at [HTTP://REGISTER.KCHILITES.COM](http://register.kchilites.com) to ensure you get all the benefits of owning a KC HILITES product.