



LIGHTING ADVENTURE
SINCE 1970

**2017- CURRENT CAN-AM
MAVERICK X3**

CAN-AM PRO6 OVERHEAD MOUNT WITH OPTIONAL MIRROR RELOCATION KIT

This KC HiLiTES Can-Am 45" Pro6 7-Ring Overhead Mounting System is designed directly bolt onto the factory OEM roll cages for 2017-Current Can-Am Maverick X3 - which includes optional mirror-relocation brackets that allows the factory mirrors to work in conjunction with the overhead mounting brackets.



Parts Included:

- (1) #91334 - 45" Pro6 7-Ring System with Wire Harness
- (2) Overhead Mounting Brackets (Left & Right)
- (4) M6 x 70mm Button Head Screws
- (4) M6 Nyloc Nuts
- (8) M6 Flat Washers
- (2) Optional - Mirror Re-Location Brackets (Left & Right)
- (4) Optional - (M6*16mm Countersunk) Mirror Re-Location Bracket Screws

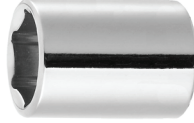
2017+ CAN-AM MAVERICK X3 - PRO6 LIGHT BAR INSTALLATION

TOOLS NEEDED FOR INSTALLATION

Metric Allen Wrench Set



13mm & 10mm
Socket Wrenches



Torx T20 Screwdriver



INSTALLATION OVERHEAD MOUNT & OPTIONAL MIRROR RELOCATION



1. Factory Mirror Removal

If the vehicle is equipped with factory mirrors, begin by removing the factory mirrors with the Torx (T20) screw driver. (Set them aside, as the factory screws will no longer be needed for the rest of the installation.)



2A. (Optional) Mirror-Relocation Assembly

If the Optional Mirror Relocation Brackets are going to be used, begin by pairing the driver & passenger-side relocation brackets accordingly - fasten the factory mirror to the corresponding bracket with the supplied M6*16 countersunk screws, so that the screw head sits flush to the bracket, **making sure not to over-tighten** to prevent damage to the casted threads on mirror.

This new mirror assembly will need to be installed at the same time as the Overhead Mount (Step 2B).



2B. Overhead Bracket Install

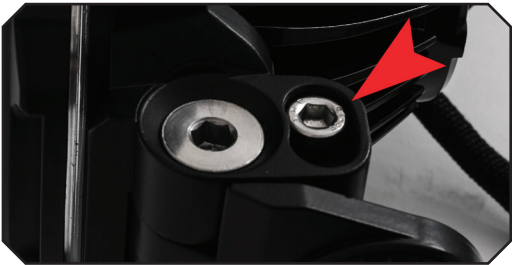
Locate the factory mirror mounting holes and affix the Light bar Mounting Brackets to the "inside" of the roll cage with the supplied M6 hardware. If the Optional Mirror brackets are being used, begin by attaching the hardware from the "outside" of the cage towards the "inside", first passing the hardware through the mirror relocation bracket, factory cage, and then overhead bracket mounts. Leave it a little loose for final fitment check and tightening.

2017+ CAN-AM MAVERICK X3 - PRO6 LIGHT BAR INSTALLATION



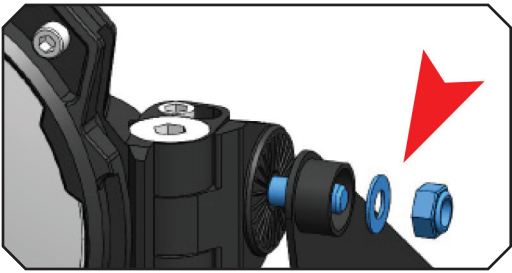
3. Remove End Mount Hardware

To remove End Mount hardware, simply use a 13mm socket wrench and remove the flat washer, split washer and nuts from End Mounts on both sides of the bar, leaving the bolts in place. (This will allow for easier installation on the tube clamp mounts.)



4. Loosen End Mount Adjustment Screws

Using a 6mm Allen wrench, loosen the M6 socket-cap adjustment screws on the end mounts on both sides of the light bar - this will give the end mounts the play necessary to mount, align, and self-center the Pro6 within the Overhead Mounting Brackets.



5. Mount Pro6 Light Bar to the UTV

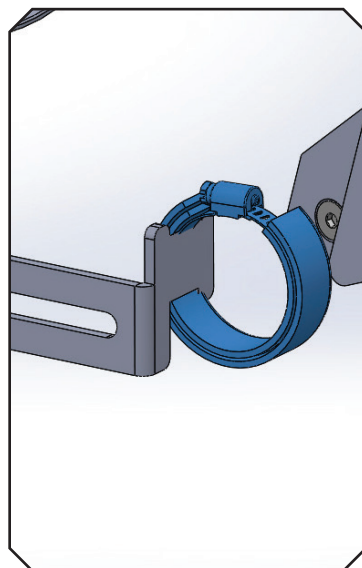
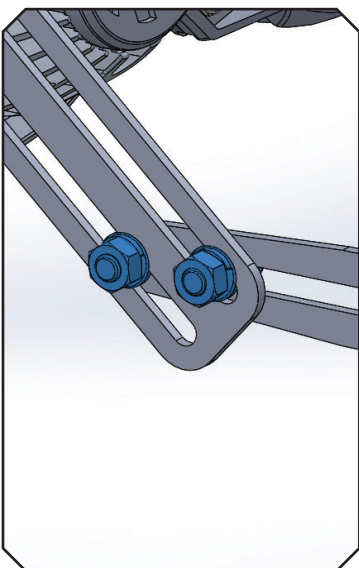
Safely install the Pro6 within the Overhead Mounting Brackets and fasten the flat washers, split washers and nuts.

***Please note: The ambidextrous design of the mounts allow for the hardware to be installed in either direction.*



6. Level and Tighten Hardware

Set the final level and pitch of the Pro6: 1) Tighten the 13mm nuts, allowing the Pro6 to center itself. Then, 2) Tighten the M6 End Mount Adjustment Screws to lock the Pro6 into position. 3) Confirm the Overhead mounts are still in the correct position and tighten all the hardware to secure the kit to the UTV.



7. Center Support Installation

To install the center support, begin by: 1) Using two 13mm sockets, loosen the 2-sets of tightening hardware on the "Jaw" and "Extension" to allow the extension to pivot freely. 2) Position the Extension such that the base of the bracket is both clear of the factory visor and tangent the cage tubing. 3) Using the supplied Hose Clamp + Hose Clamp Sleeve, position and tighten the Hose Clamp within the index on the bracket, until it is securely fastened. 4) Using the two 13mm sockets, re-tighten the hardware to firmly secure the center support together.

2017+ CAN-AM MAVERICK X3 - PRO6 LIGHT BAR INSTALLATION

8. Install Wire Harness

Referencing the Wire Harness Installation guide, properly route and install the included wire harness and switch - making sure that it is free of any loose hanging wires.

2017+ CAN-AM MAVERICK X3 - PRO6 OVERVIEW

KC takes extreme measures to engineer lighting products with the most advanced features available in the industry. All of our products are rigorously tested to assure the highest level of quality and performance that will last you a lifetime.

The 2017-Current Can-Am Maverick X3 Pro6 light bar mount kit is constructed from heavy gauge steel with a satin black powder-coated finish. Stainless steel and Zinc-plated hardware were selected to prevent rust/corrosion that is often present when vehicles are exposed to harsh environmental conditions.

KC's 23-Year Warranty* warrants that this product will be free from defects in material construction and workmanship upon receipt. For more details about our Warranty Policy please visit <http://www.kchilites.com/warranty>.

NOTE: The KC HiLiTES Pro6 LED bar has many more customizable options that you may explore depending on your needs and application. Please see our more detailed manual (KC3265DN) that can be found on <http://KCHiLiTES.com> for help with configuring your Pro6 LED bar.

PRODUCT REGISTRATION

Thank you for becoming part of the KC HiLiTES family and purchasing one of our premium KC products! With over 45 years of history in the auxiliary lighting industry, you have become a part of our ever growing family, and we encourage you to register your product online at [HTTP://REGISTER.KCHILITES.COM](http://REGISTER.KCHILITES.COM) to ensure you reap all the benefits of owning a KC HiLiTES product.