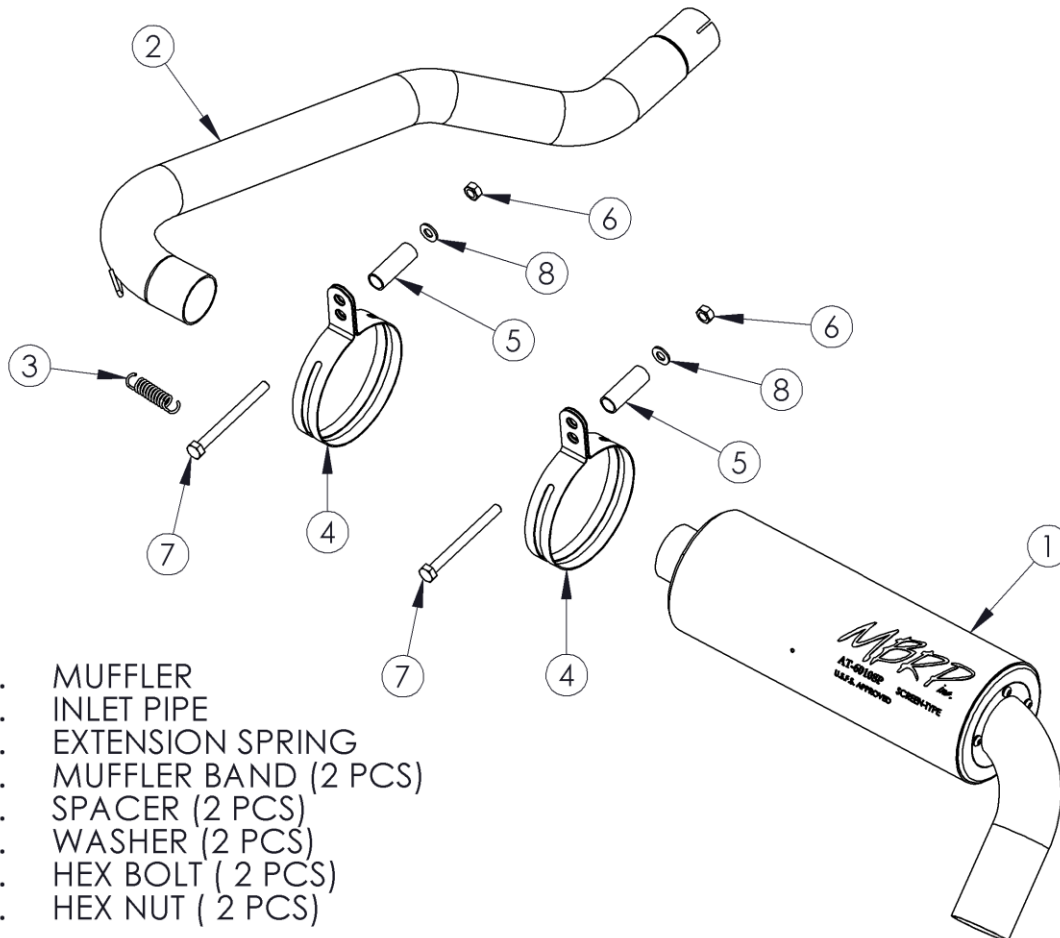


AT-6108SP/AT-8108P  
SPORT / PERFORMANCE MUFFLER  
SLIP-ON SYSTEM  
2006-2012 HONDA TRX 680FA/FGA



1. MUFFLER
2. INLET PIPE
3. EXTENSION SPRING
4. MUFFLER BAND (2 PCS)
5. SPACER (2 PCS)
6. WASHER (2 PCS)
7. HEX BOLT ( 2 PCS)
8. HEX NUT ( 2 PCS)

## PLEASE READ BEFORE STARTING INSTALLATION

While MBRP Inc. has made every effort to ensure that all components of this system are of superior quality and properly packaged, it is the installer's responsibility to ensure the following before removal of the factory exhaust:

- that ALL components shown above are present.
- that ALL mating components fit together.
- that there are no damaged components.
- that the system you have purchased is appropriate for your vehicle year, model and configuration.
- that the system will not interfere with any modifications previously installed or planned.
- that you have read and understand these instructions.

If you have any questions or are uncertain about any aspect of the installation of this system to your vehicle please contact your dealer before commencing installation.

### **Removal of Stock Exhaust:**



**Figure 1**



**Figure 2**



**Figure 3**



**Figure 4**



**Figure 5**

1. Remove the seat. **Refer to Figure 1.**
2. Remove the rear carrier rack and fender assembly.
  - Remove the plastic rivets, bolts, and nuts holding the assembly to the bike and frame (retain all hardware).
  - Disconnect the wire harness from the tail lights.
  - Remove the winch controller from inner fender (if applicable).
  - Lift off the fender and rack assembly. **Refer to Figure 2.**
3. Loosen the band clamp connecting the muffler and mid-pipe to the header pipe.
4. Remove the two fasteners at the muffler mounting locations and remove the muffler assembly.

### **Installation of MBRP Inc. Exhaust:**

1. Loosely attach the **Muffler Bands** to the frame mounts using the provided hardware (**Spacer, Washer, Hex Bolt, and Nut**). **Refer to Assembly Diagram on Page 1.**
2. Slide the **Barrel Clamp** over the expanded end of the **Inlet Pipe** and install it onto the end of the stock header pipe. Do not tighten the **Barrel Clamp** yet.
3. Install the **Muffler** through the **Muffler Bands** and onto the end of the **Inlet Pipe**. **Refer to Figure 3.**
4. Align the spring tabs on the Inlet Pipe and Muffler, and attach them using the **Extension Spring**.
5. Make any necessary adjustments to the exhaust alignment and then tighten the **Barrel Clamp** (**Refer to Figure 4**) and **Muffler Bands**.
6. Reinstall the rear fender and rack assembly, and then replace the seat.

**Congratulations!** You are ready to begin experiencing the improved performance and driving excitement of your MBRP Inc. ATV Exhaust upgrade. We know you will enjoy your purchase.