

AT-9210PT

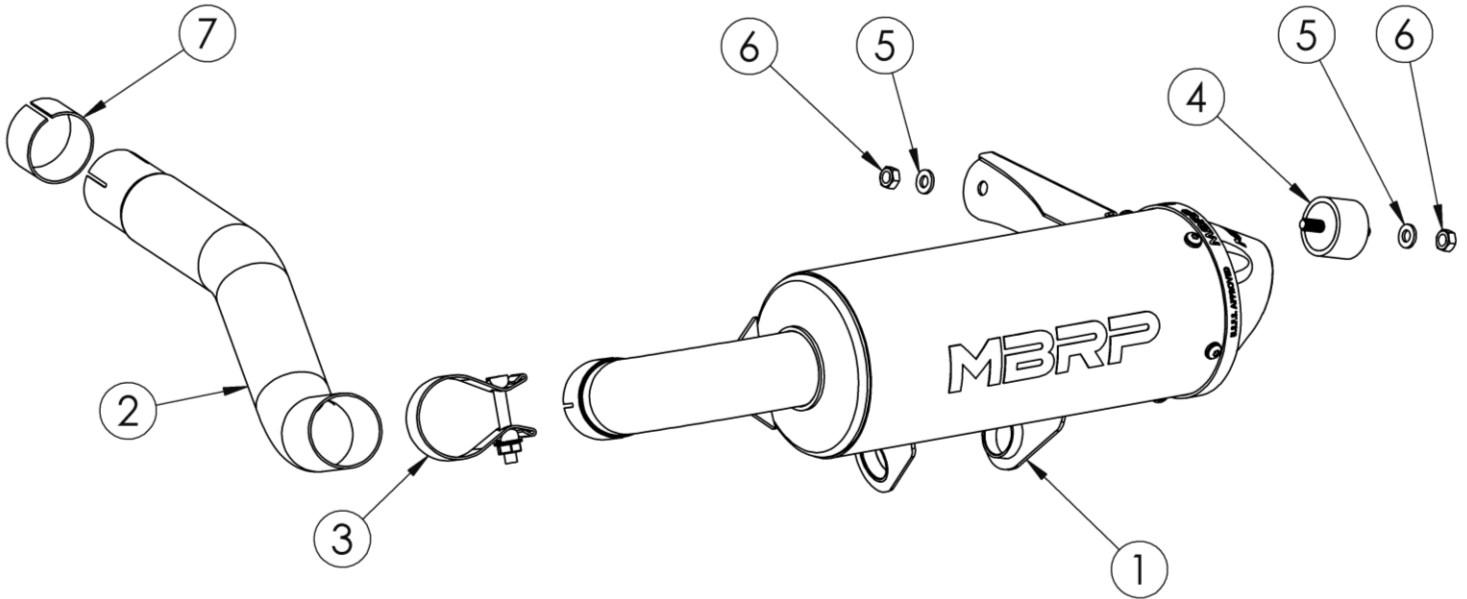
MUFFLER ASSEMBLY, 5"

2018-UP CAN-AM RENEGADE 570/850/1000R EFI

2013-2017 CAN-AM RENEGADE - ALL MODELS

2012 CAN-AM RENEGADE STD, XXX, 800R/1000 EFI

MBRP



ITEM NO.	DESCRIPTION	QTY.
1	MUFFLER ASSEMBLY	1
2	INLET PIPE	1
3	2" CLAMP	1
4	RUBBER ISOLATOR	1
5	LOCK WASHER	2
6	HEX NUT	2
7	SLEEVE	1

PLEASE READ BEFORE STARTING INSTALLATION

While MBRP Ltd. has made every effort to ensure that all components of this system are of superior quality and properly packaged, it is the installer's responsibility to ensure the following before removal of the factory exhaust:

- that ALL components shown above are present.
- that ALL mating components fit together.
- that there are no damaged components.
- that the system you have purchased is appropriate for your vehicle year, model and configuration.
- that the system will not interfere with any modifications previously installed or planned.
- that you have read and understand these instructions.

If you have any questions or are uncertain about any aspect of the installation of this system to your vehicle please contact your dealer before commencing installation.

MBRP

Removal of Stock Exhaust:



Figure 1

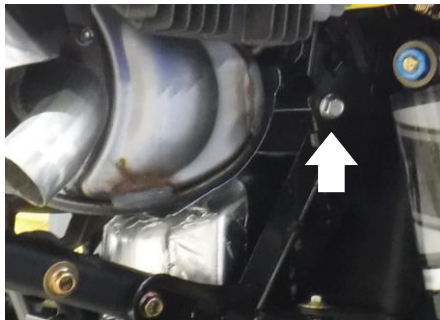


Figure 3

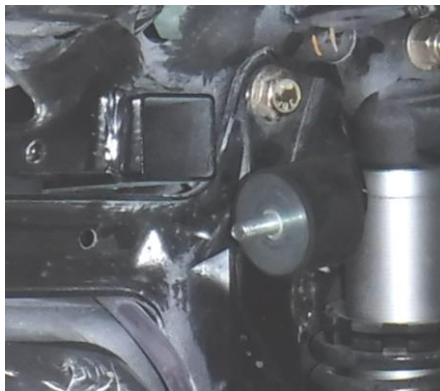


Figure 4



Figure 5

1. Loosen the clamp at the front pipe of the stock muffler. **Refer to Figure 1.**

2. Loosen and remove the hardware securing the lower rubber mounts to the rear support bars. Keep the hardware (nuts, bolts, and washers) as it will be reused.

Refer to Figure 2 [a]

3. Free the two support bars by removing the 8mm bolts (one on each bar) at the lower end [b] and the 6mm bolts (two per bar) at the upper end [c]. **Refer to Figure 2.** Remove the support bars by lifting up on the back crossbar [d] and pulling the support bars down and out. Retain all parts as they will be reinstalled later on.

4. Work the stock muffler straight back to free it from the front pipe and remove it.

5. Remove the 8mm hardware securing the front hanger mounting bracket, then remove the bracket (cut the wire tie to free the bracket completely). **Refer to Figure 3.**

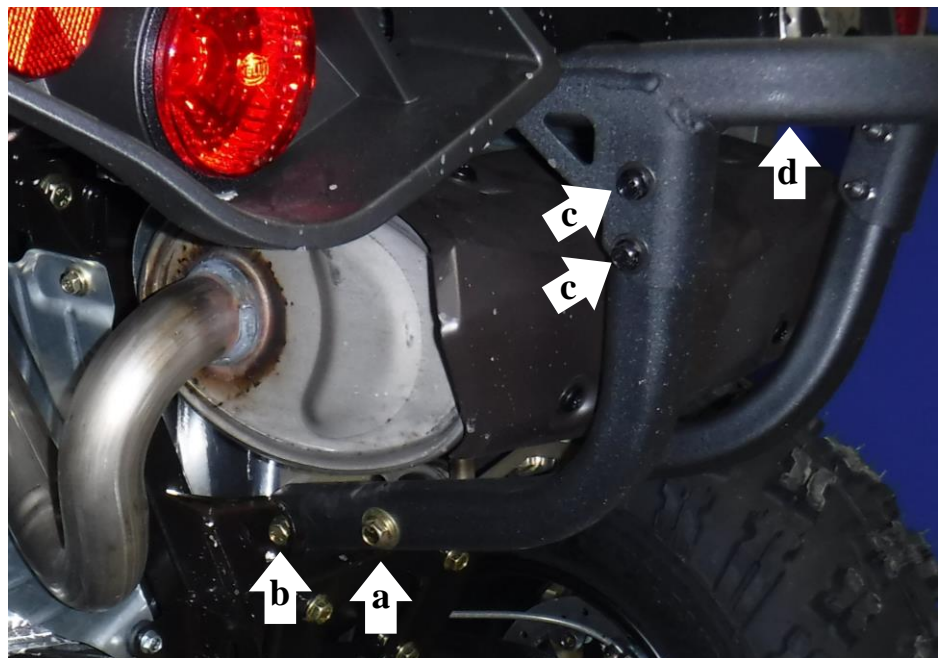


Figure 2

Installation of MBRP Exhaust:

1. Place the stock clamp onto the **Inlet Pipe***, then slide the **Inlet Pipe** onto the stock exhaust pipe. Leave the clamp loose to allow the pipe to be rotated into position as required. Slide the **Band Clamp** over the other end of the pipe.

*Model years 2017 and below will require using the **Sleeve** between the **Inlet Pipe** and the stock clamp.

2. Using a **Lock Washer** and **Hex Nut**, attach the **Rubber Isolator** to the hole on the inboard surface of the frame where the hanger mounting bracket was removed. **Refer to Figure 4.**

3. Remove the two bottom rubber mounting isolators and inner aluminum sleeves from the stock muffler and insert them into the lower mounts of the new **Muffler Assembly**. **Refer to Figure 5.**

MBRP



Figure 6



Figure 7



Figure 8



Figure 9

4. Put the **Muffler Assembly** into position by placing the muffler inlet onto the **Inlet Pipe** (Refer to **Figure 6**) and the front mounting bracket onto the **Rubber Isolator**. Loosely secure the front mount using the remaining **Lock Washer** and **Hex Nut** (Refer to **Figure 7**).

5. Put the two vertical support bars back into place (remember to lift the rear crossbar to allow the upper ends to slide back into their mounts). Refer to **Figure 8**. Loosely replace the lower 8mm hardware (bolts, washers, and nuts), and the upper 6mm hardware to secure the bars to the vehicle.

6. Adjust the inlet pipe and muffler as necessary to line up the lower muffler mounts with the holes in the support bars, then place the large OEM washers back between the rubber mounts and the bar, and insert the long 8mm bolts (with smaller washers under the head) through the bars, washers, and mounts. Refer to **Figure 9**. Place the other large washers on the inner side of the rubber mounts and secure the assembly with the stock nuts.

7. Finally, verify that the exhaust is positioned properly, and then tighten all clamps and hardware.

It is recommended that the muffler screws be retightened after the first ride and checked periodically thereafter, tightening if necessary.



Congratulations! You are ready to begin experiencing the improved performance and driving excitement of your **MBRP** ATV Exhaust upgrade. We know you will enjoy your purchase.