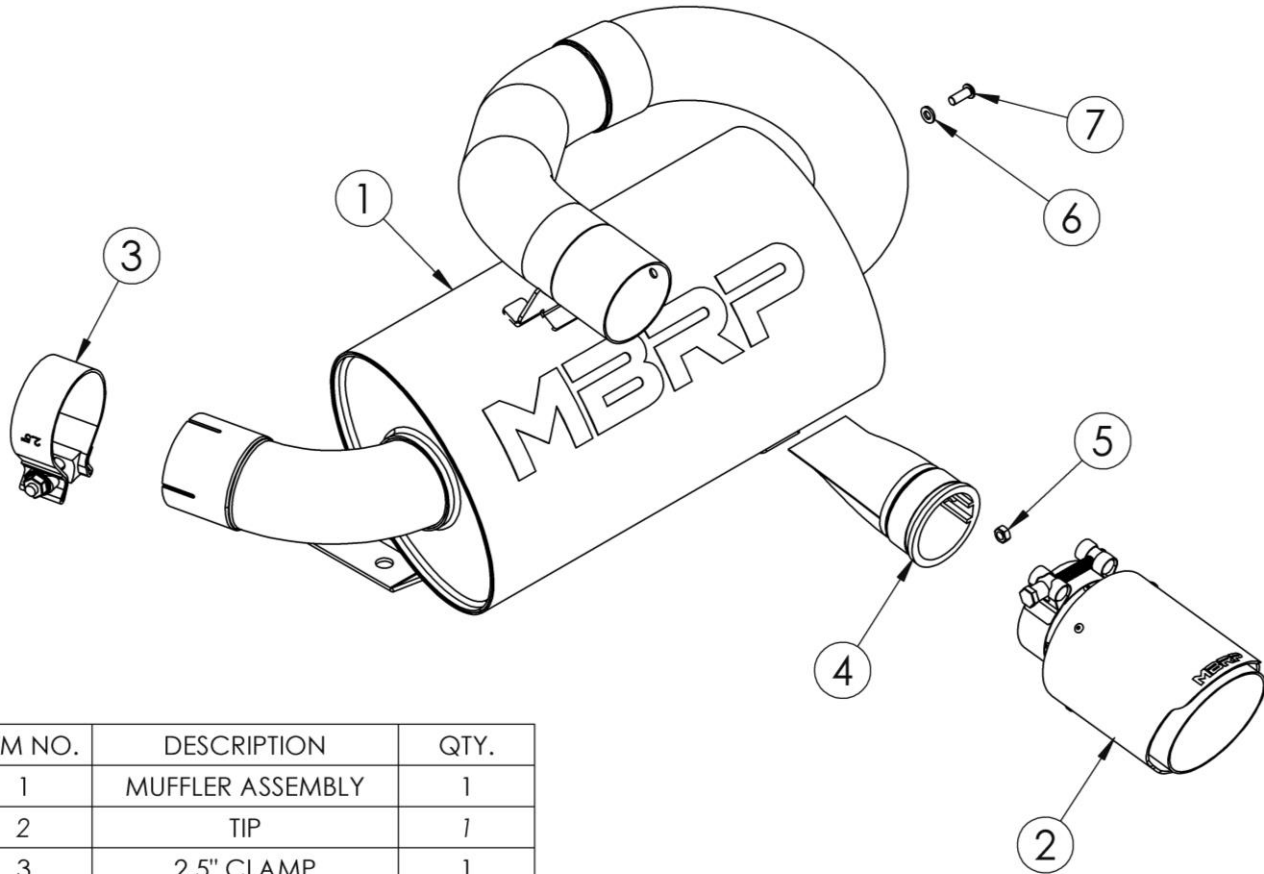


# AT-9211PT

EXHAUST ASSEMBLY, SLIP-ON, CENTER EXIT  
2019-UP CAN-AM MAVERICK SPORT 1000R

# MBRP



ITEM NO.	DESCRIPTION	QTY.
1	MUFFLER ASSEMBLY	1
2	TIP	1
3	2.5" CLAMP	1
4	SPARK ARRESTOR	1
5	NUT	1
6	LOCK WASHER	1
7	SCREW	1

ITEMS 4, 5, 6, & 7 ARE PRE-ASSEMBLED TO MUFFLER

## PLEASE READ BEFORE STARTING INSTALLATION

While MBRP Ltd. has made every effort to ensure that all components of this system are of superior quality and properly packaged, it is the installer's responsibility to ensure the following before removal of the factory exhaust:

- that ALL components shown above are present.
- that ALL mating components fit together.
- that there are no damaged components.
- that the system you have purchased is appropriate for your vehicle year, model and configuration.
- that the system will not interfere with any modifications previously installed or planned.
- that you have read and understand these instructions.

If you have any questions or are uncertain about any aspect of the installation of this system to your vehicle please contact your dealer before commencing installation.

# MBRP

## Removal of Stock Exhaust:

1. Loosen the clamp at the front pipe of the stock muffler. **Refer to Figure 1.**
2. Loosen and remove the three (3) bolts securing the muffler base to the rubber mounts. Keep the hardware as it will be reused to mount the new system. **Refer to Figure 1.**
3. Work the stock muffler straight back to free it from the front pipe and then remove it from the passenger-side of the vehicle.



Figure 1

## Installation of MBRP Exhaust:

1. Place the **Clamp** onto the **Muffler** inlet, then put the **Muffler** into position and slide the inlet onto the front pipe.
2. Replace the stock hardware through the mounting holes at the base of the **Muffler**. Do not fully tighten yet. **Refer to Figure 2.**
3. In order to install the **Tip**, the **Screw** (and **Lock Washer**) securing the **Spark Arrestor** inside the outlet must be removed temporarily. Be careful not to lose the **Nut** on the inside of the **Spark Arrestor**, as it may fall out when the **Screw** is removed.

With the **Screw** removed, slide the **Tip** over the **Muffler** outlet and line up the hole at the bottom of the side slot with the screw hole in the **Muffler** outlet. Holding the **Nut** and **Spark Arrestor** in place (re-align the **Nut** with the hole if necessary), reinstall the **Washer** and **Screw**. **Refer to Figure 3.**

4. Tighten the clamp to fully secure the **Tip**. **Refer to Figure 4.**

5. Finally, ensure that the **Muffler** assembly is properly aligned, and then tighten the **Clamp** on the muffler inlet and fully tighten the stock hardware at each of the three mounting locations.

It is recommended that the hardware be retightened after the first ride and checked periodically thereafter, tightening if necessary.



Figure 2

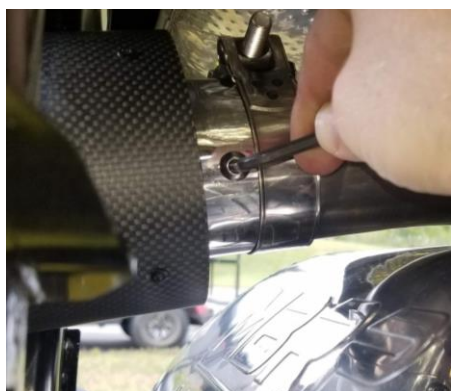
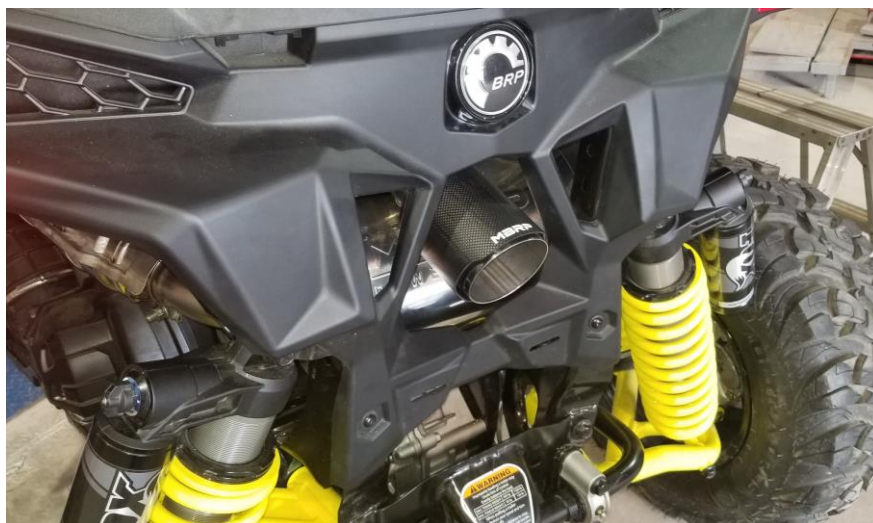


Figure 3



Figure 4



**Congratulations!** You are ready to begin experiencing the improved performance and driving excitement of your MBRP Ltd. Exhaust upgrade. We know you will enjoy your purchase.