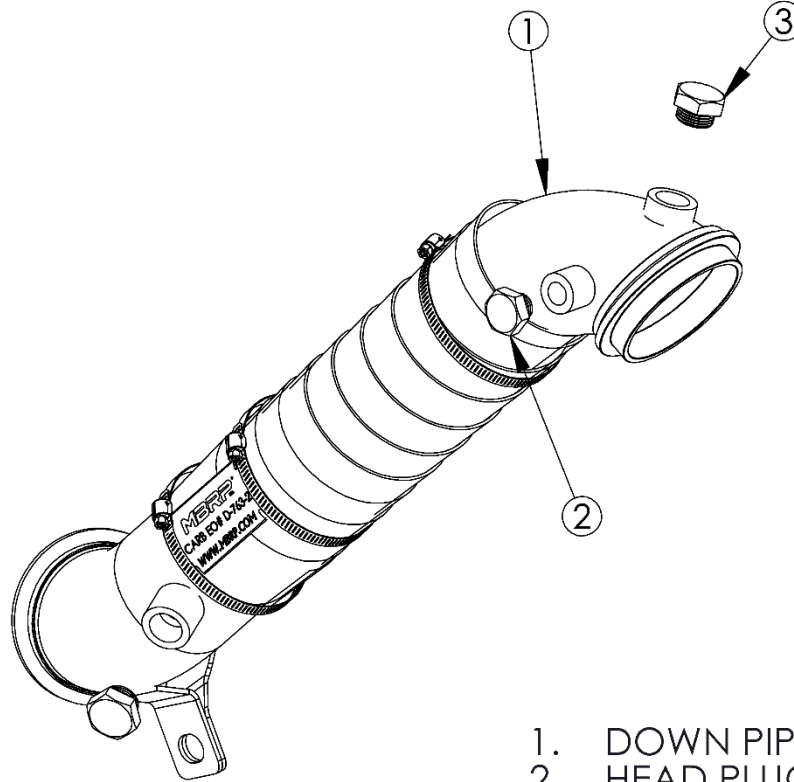


GMCA427

2011-2015 CHEVROLET/GMC,
SILVERADO/ SIERRA, HD2500-3500,
DURAMAX, DOWN PIPE
CARB EO# D-763-2

MBRP®



1. DOWN PIPE
2. HEAD PLUG
3. HEAD PLUG

PLEASE READ BEFORE STARTING INSTALLATION

While MBRP Inc. has made every effort to ensure that all components of this system are of superior quality and properly packaged, it is the installer's responsibility to ensure the following before removal of the factory exhaust:

- that ALL components shown above are present.
- that ALL mating components fit together.
- that there are no damaged components.
- that the system you have purchased is appropriate for your vehicle year, model and configuration.
- that the system will not interfere with any modifications previously installed or planned.
- that you have read and understand these instructions.

If you have any questions or are uncertain about any aspect of the installation of this system to your vehicle please contact your dealer before commencing installation.

MBRP

Removal of Stock Component:



Figure 1

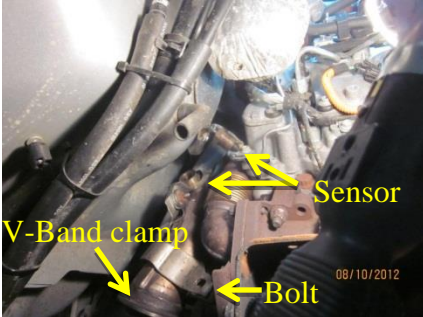


Figure 2



Figure 3



Figure 4

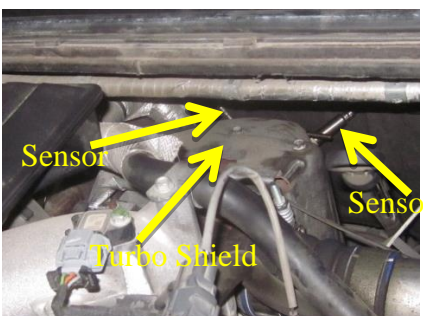


Figure 5

1. Remove the passenger side inner fender. **See Figure 1.**
Note: we also removed the Grille Assembly to prevent damage to it during the removal or installation of the down pipe.
2. Remove the hex bolt securing the down pipe to the exhaust manifold. Remove the sensor located just above the hex bolt. The V-Band clamp connecting the front pipe to the down pipe can also be removed. Save the hex bolt, sensor and V-band clamp for the installation. **See Figure 2.**
3. The front pipe needs to be temporarily removed. Carefully disconnect all sensors and loosen the four flange nuts on the rearward part of the front pipe. The transmission cross-member will need to be temporarily dropped to remove the front pipe. Remember to support the transmission with a block or jack stand while doing the transmission cross member is removal. **See Figure 3.**
4. The front pipe also has a hanger mounted to the transmission that will also have to be removed. **Figure 4** shows the front pipe assembly removed.
5. The heat shield on top of the turbo will need to be removed. There is also a shield on the back of the down pipe. It runs along the firewall that needs to be removed. The 2 stock sensors on the top of the down pipe need to be carefully removed. Set the sensors aside and save for the installation. The stock V-Band clamp can be removed save for the installation. From the underside of the vehicle carefully slide the stock down pipe out between the frame and transmission.

MBRP

Installation of MBRP Exhaust Component



Figure 6



Figure 7

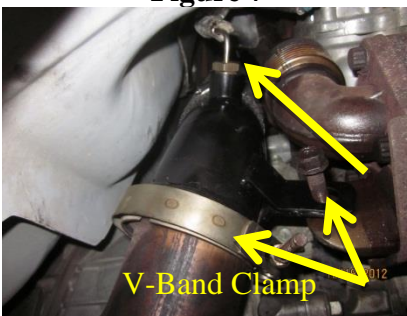


Figure 8



Figure 9



Figure 10

1. Start the install by sliding the **Down Pipe** up from the underside of the vehicle or the passenger side wheel well. Mate the flange up to the turbo and install the V-Band clamp at the turbo. Leave the clamp loose enough for some rotation.
2. Loosely securing the **Down Pipe** to the exhaust manifold with the hex bolt from the stock down pipe. Finish tightening the V-Band at the turbo and then finish tightening the bolt on the exhaust manifold.
3. Install the stock sensors into the **Down Pipe**. One is located along the lower section of the **Down Pipe** (Refer to Figure 8.) The other two sensors are located closer to the turbo.
4. The front pipe can then be reinstalled using the stock hardware and V-Band clamp. Refer to Figures 8 & 9.
5. Reinstall the exhaust hanger to the transmission cross member. Reinstall the transmission cross member. Reconnect all the sensors to the front pipe.
6. Reinstall the passenger side inner fender.
7. Reinstall the turbo heat shield. Refer to Figure 10. Check along the exhaust to make sure all connections and tightened. Check along the whole length of the exhaust system to ensure that there is adequate clearance around the spare tire, fuel and brake lines or any wiring. If any interference is detected relocate or adjust.