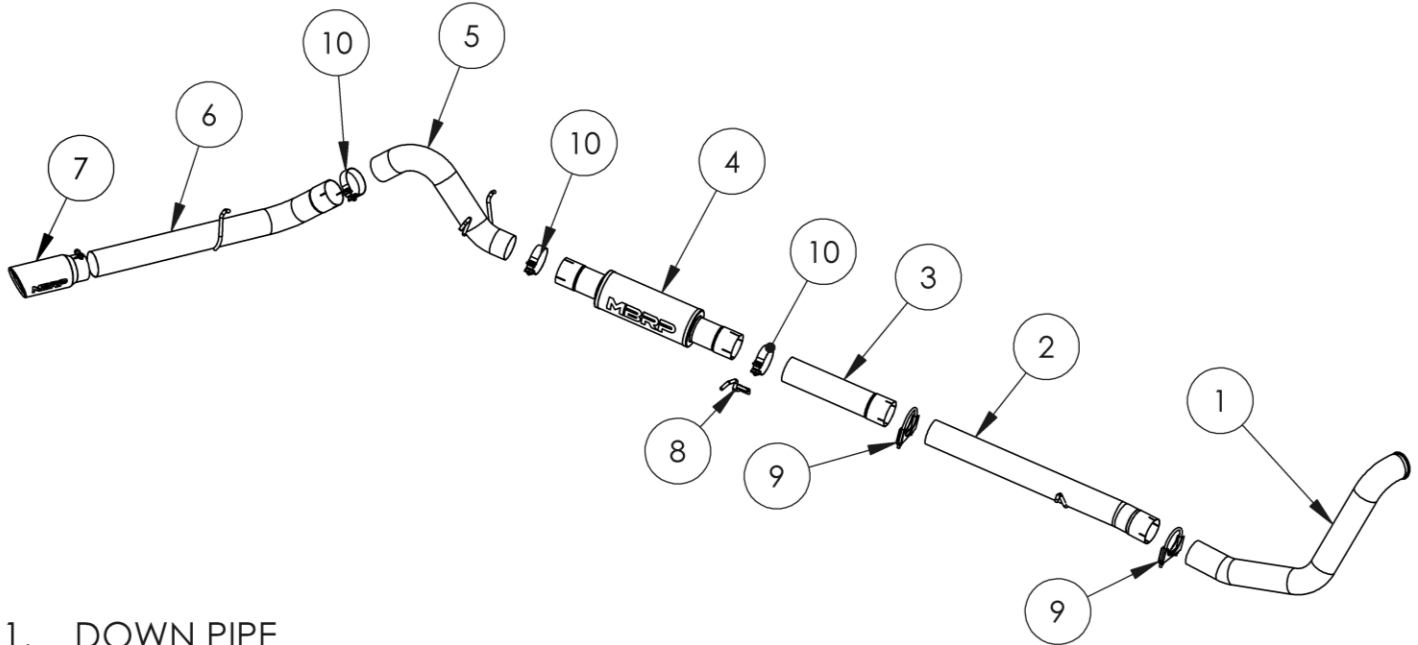


S6204

99-03 FORD EXCURSION 7.3L POWER
STROKE, TURBO BACK, 4" SINGLE SIDE
NOT FOR USE ON VEHICLES EQUIPPED WITH
CATALYTIC CONVERTER

MBRP



1. DOWN PIPE
2. MID PIPE
3. EXTENSION PIPE
4. HIGH FLOW MUFFLER
5. OVER-AXLE PIPE
6. TAIL PIPE
7. EXHAUST TIP
8. HANG TIGHT™ HANGER
9. 4" CLAMP (2 PCS)
10. 4" BAND CLAMP (3 PCS)

*NOTE: MUFFLER MAY NOT BE EXACTLY AS SHOWN

PLEASE READ BEFORE STARTING INSTALLATION

While MBRP Inc. has made every effort to ensure that all components of this system are of superior quality and properly packaged, it is the installer's responsibility to ensure the following before removal of the factory exhaust:

- that ALL components shown above are present.
- that ALL mating components fit together.
- that there are no damaged components.
- that the system you have purchased is appropriate for your vehicle year, model and configuration.
- that the system will not interfere with any modifications previously installed or planned.
- that you have read and understand these instructions.

If you have any questions or are uncertain about any aspect of the installation of this system to your vehicle please contact your dealer before commencing installation.

MBRP

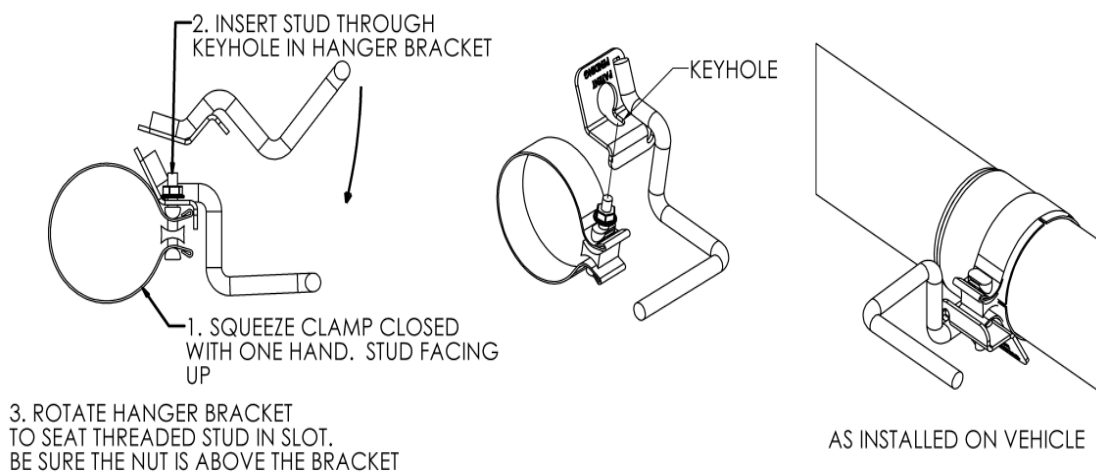
Removal of stock system:

1. If a hoist is being used for the installation, the original exhaust system can be removed in one piece by removing the passenger side shock. If a hoist is not being used the tail pipe must be cut behind the muffler to be removed.
2. Loosen the nut on the band clamp in front of muffler using a 15mm socket.
3. Remove the muffler and tail pipe from the OEM rubber hangers and separate the stock exhaust at the slip joint remove the muffler and tail pipe from under the truck. **Re-install the passenger side shock.**
4. Remove the down pipe from the turbo by removing the band clamp using an 11mm socket. **Retain the band clamp for the installation of the new down pipe.** Cut the down pipe in front of the transmission cross member to remove. (**Note:** The stock down pipe can be removed in one piece by removing the transmission cross member. It is recommended that this only be done by qualified, trained professionals using tools and equipment designed to safely carry out this procedure.)

Installation of MBRP Ltd. Performance Exhaust:

Note: Vehicles originally equipped with a catalytic converter must retain the factory catalytic converter. Removal of the catalytic converter may be a violation of federal or local regulations.

1. Install the **Down Pipe** in the same position as the stock down pipe and attach the flared end to the turbo using the stock band clamp. Do not fully tighten until all components are in place.
2. Attach the **Mid Pipe** to the **Down Pipe** and place the hanger into the factory rubber insulator located on the frame.
3. Install the **Extension Pipe** on to the **Mid Pipe**.
4. Install the **Hang Tight™ Hanger** onto a **4.0" Band Clamp** using the procedure shown below. (Hang Tight™ Hanger not exactly as Shown)



5. Install the **Hang Tight™ Hanger** clamp assembly over the **Extension Pipe** and install into the OEM rubber isolator.
6. Install the **Muffler** onto the **Extension Pipe** securing it with the **Hang Tight™ Hanger** clamp assembly.

MBRP

7. Install the **Over-Axle Pipe** from the rear of the truck, over the axle and attach to the outlet of the **Muffler** securing it using one of the **4.0” Band Clamp**. Install the hangers into the OEM rubber hangers located above the outlet of the **Muffler**.
8. Install the **Tail Pipe** on to the **Over-Axle Pipe** securing it using the remaining **4.0” Band Clamp**. Install the hanger into the OEM hanger.
9. Install and adjust the **Exhaust Tip** to suit. Tighten the lock bolt located on the **Exhaust Tip**.
10. Tighten all hardware and clamps, starting at the front and working rearward to secure the system. Check along the full length of the exhaust system to ensure there is adequate clearance for fuel lines, vent lines, brake lines, frame, bodywork, suspension, and any wiring, etc. If there is any interference detected, relocate, or adjust to provide adequate clearance. Ensure all clamp connections are secure and components are unable to rotate or slide. Band clamps require approximately 45 lb-ft (60 N-m) of torque. Verify clearances, system security and band clamp torque after 30-60 miles (50-100 km) of driving.

Congratulations! You are ready to begin enjoying the improved performance and driving experience of your MBRP Ltd. performance exhaust system. We hope you enjoy your purchase.