



I-SHEET PART NUMBER: INST-00235
 PART NUMBER: **NBD15CC-TX**
 PRODUCT: **NERF BOARD**
 APPLICATION: **15-18 RAM 1500 CC**
19-21 RAM 2500/3500 CC

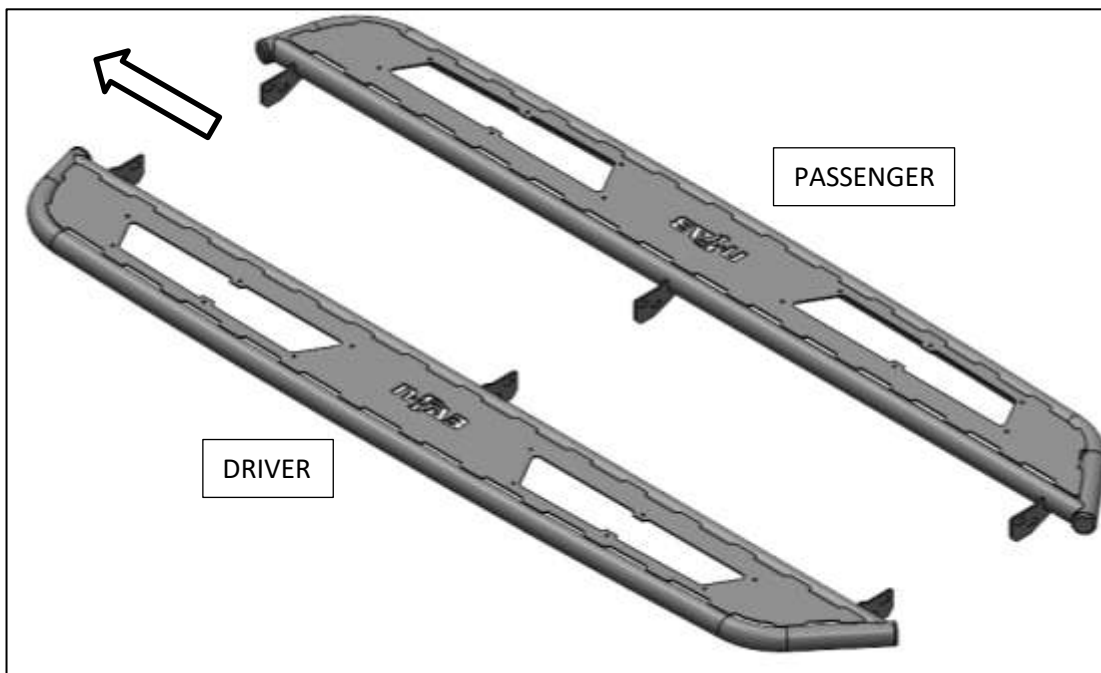
HWKT-09617X		1
BHCS-09591X	M6X16MM BUTTON HEAD CAP SCREW	24
FW-09601	M6 FLAT WASHER	24
BHCS-09603	M6 flanged nut	24
CARB-09609	3/8"-16X1" Gr 5 Steel Carriage Bolt	12
FLNT-00664	3/8-16 GRADE 8 STEEL FLANGE NUT	12

HWKT-05354X		1
HARDWARE DESCRIPTION		QTY.
HHCS-00568X	3/8"-16X1" HEX CAP SCREW	6
FLTW-00663X	3/8" USS FLAT WASHER	6
CLIP-00647X	3/8"-16X1 3/4" BARREL NUT CLIP	6
FLHB-00797X	M8-1.25X25MM SERRATED FLANGED BOLT	6
FLNT-00696X	M8-1.25 FLANGED NUT	6



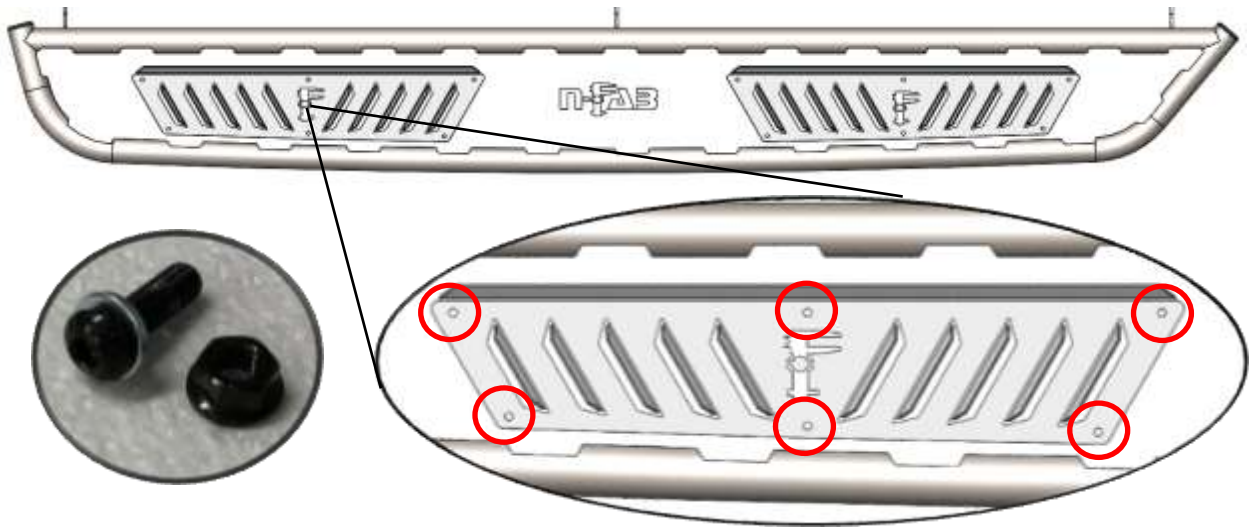
PARTS INCLUDED	QTY
Driver Side Running Board	1
Passenger Side Running Board	1
Rocker panel brackets	6
Step Plate	4

Step 1: Identify Driver Side Nerf Board.



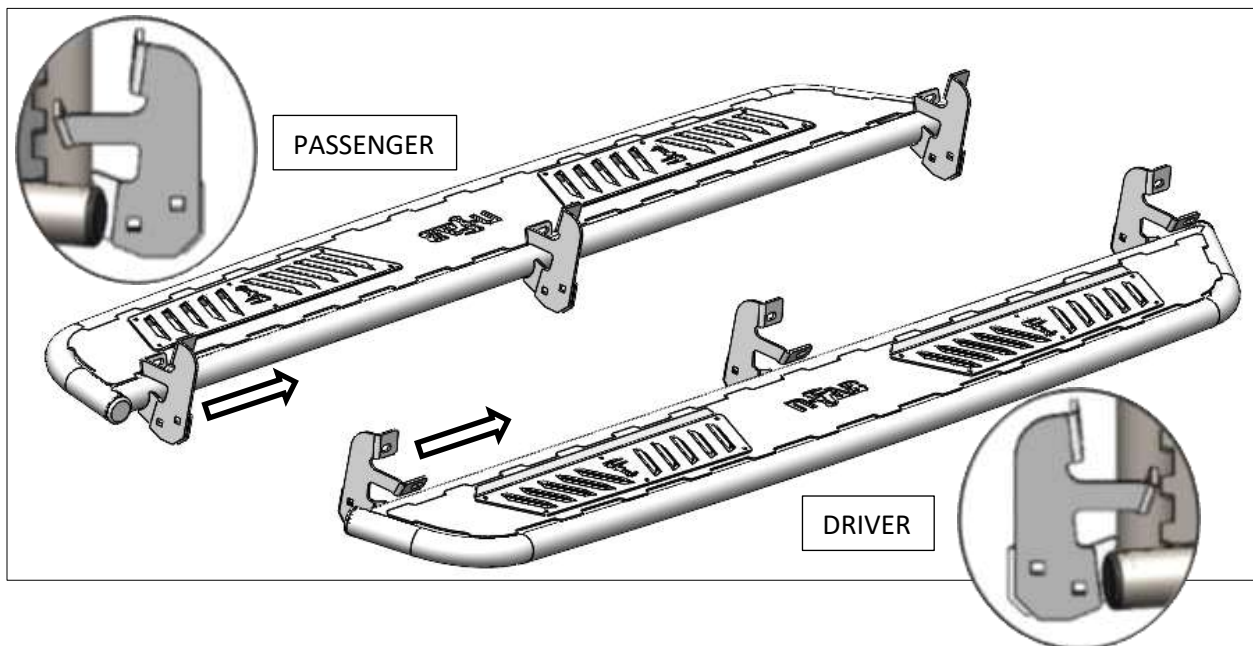
Step 2: Install the supplied step plate (x2) to each Running Board using the M6x20mm button head bolts, M6 nuts and M6 flat washer.

**** DO NOT OVER TIGHTEN ****



Step 3: Install the supplied rocker panel brackets (x6) to the attachments points located on the backside of the main tube (Driver/Passg) using the supplied 3/8" x 1" carriage bolts and 3/8" flanged nuts. Leave finger tight for now.

NOTE: BE SURE THE BEND DIRECTION OF EACH BRACKET IS CORRECT ON THE DRIVER AND PASSENGER Nerf Board.





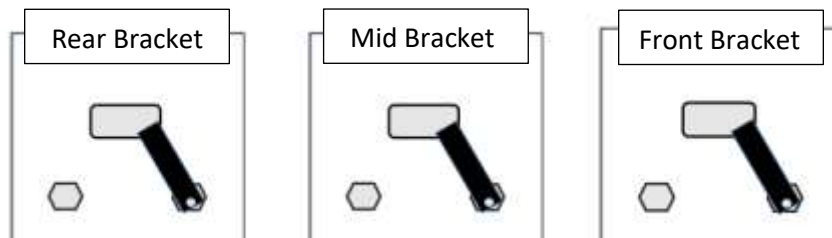
I-SHEET PART NUMBER: INST-00235
PART NUMBER: **NBD15CC-TX**
PRODUCT: **NERF BOARD**
APPLICATION: **15-18 RAM 1500 CC**
19-21 RAM 2500/3500 CC

Step 4: Remove any factory running boards or steps and discard.

Step 5: Next, locate the mounting holes underneath the body and remove the factory tape from the three locations. **NOTE: Remove any threaded inserts if equipped.**



Step 6: Insert the supplied (X3) threaded U-clips in each mounting location for Driver & Passenger side.



U-clip positioning. **NOTE: Clips will also face forward for passenger side.**

Step 7: Carefully place step into position and start the upper 3/8"X1" hex bolt and 3/8" flat washer in the center bracket and hand tighten to hold in place. Next, install the remainder 3/8"x1" hex bolts and 3/8" washer in the front and rear brackets. Leave loose for now.



Step 8: Insert the black zinc M8 flanged bolts and flanged nuts in the pinch weld holes and leave loose for now.

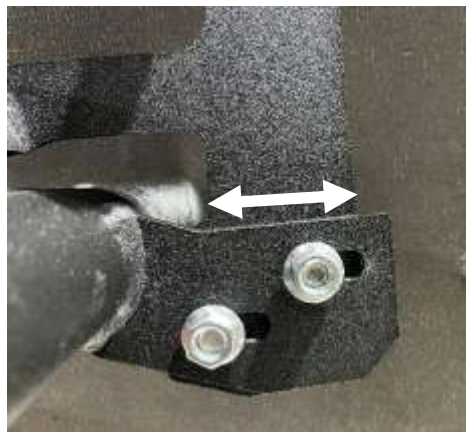


Step 9: Begin tightening the lower attachment points starting with the rear bracket working your way up to the front bracket. (20ft/lbs)

Step 10: Finish by tightening the upper attachments points from front to back. (20ft/lbs)



Step 11: There will be ½" of adjustment in the (x3) mounting bracket. Adjust to desired position and tighten to (20 ft,/lbs).



Step 12: Repeat steps 7-11 for passenger side.