



USER'S MANUAL

PC20F / PC10F

SUPER HYBRID POWER CAPACITOR
WITH LED VOLTAGE DISPLAY

www.planetaudiousa.com

TELEPHONE

888-990-1236 US Toll-free
805-751-4854 Customer Service

TECHNICAL SUPPORT

www.planetaudiousa.com/customer-support/



0217

USER'S MANUAL



PC20F

20 FARAD SUPER HYBRID POWER CAPACITOR
WITH LED VOLTAGE DISPLAY

PC10F

10 FARAD SUPER HYBRID POWER CAPACITOR
WITH LED VOLTAGE DISPLAY



Planet Audio



PC10F *10 Farad Super Power Capacitor*

PC20F *20 Farad Super Hybrid Power Capacitor*

Congratulations on your purchase of a Planet Audio Power Capacitor System.

It has been designed, engineered and manufactured to bring you the highest level of performance and quality, and will afford you years of listening pleasure.

Thank you for making Planet Audio your choice for car audio entertainment!

USER'S MANUAL

| <i>page</i> | CONTENTS |
|-------------|--|
| 2 | Why use a power capacitor? |
| 2 | Features |
| 4 | Installation precautions |
| 6 | Important note about charging the capacitor |
| 6 | PC20F electrical connections |
| 7 | PC10F electrical connections |
| 8 | Charging the capacitor |
| 9 | Discharging the capacitor safely before removal |
| 10 | Specifications |

Why use a power capacitor?

This power capacity is an energy storage device. It is designed to supplement your car's charging system, when your audio amplifier places a high current demand upon it. This occurs, for example, when the music you are playing contains a loud, transient, deep bass signal.

The overall bass response of your system will be enhanced by using this device. Since automotive batteries are not designed to deliver the current required by modern car audio systems, a capacitor such as this one, which is capable of discharging extremely rapidly on demand, is a logical addition to your audio system.

In addition, this capacitor can filter out the AC voltage induced in the amplifier's power supply. Unchecked, this voltage can cause audible noise in the sound system. It is recommended to use a capacitor with a minimum of one microfarad (1F) for each 500 watts of amplifier power. (you can never have too much capacitance for any audio system).

The Planet Audio capacitors feature a digital voltage display.

Features

Your new power capacitor system features the following:

- **3-digit, super bright blue LED voltage meter**
- **Voltage measurement accurate to +/- 0.1VDC**
- **Blue illuminated window**
- **Warning tones for the following detected conditions:**
 - > **Reverse polarity connection**
 - > **Over-voltage limit (above 17VDC)**
 - > **Low battery voltage (below 10VDC)**

General precautions

Before installing and using your new capacitor, please become familiar with all the information contained in this manual.

Please keep this manual in a safe place for future reference.

- Do not open or attempt to repair this unit yourself. Dangerous high voltages are present which may result in electric shock. Refer any repairs to a qualified service technician.
- To avoid risk of electronic shock or damage to the unit, do not permit any of this equipment to become damp or wet from water or drinks. If this does occur, immediately unplug the power wires and send the product to your local dealer or service center as soon as possible.
- If there is smoke or any peculiar odor present during use or if there is damage to any of the component enclosures, immediately unplug the power cord and send the product to your local dealer or service center as soon as possible .

SHOCK HAZARD! Do not open the case of this product. There are dangerous voltages present within the unit. There are no user-serviceable parts within the unit.

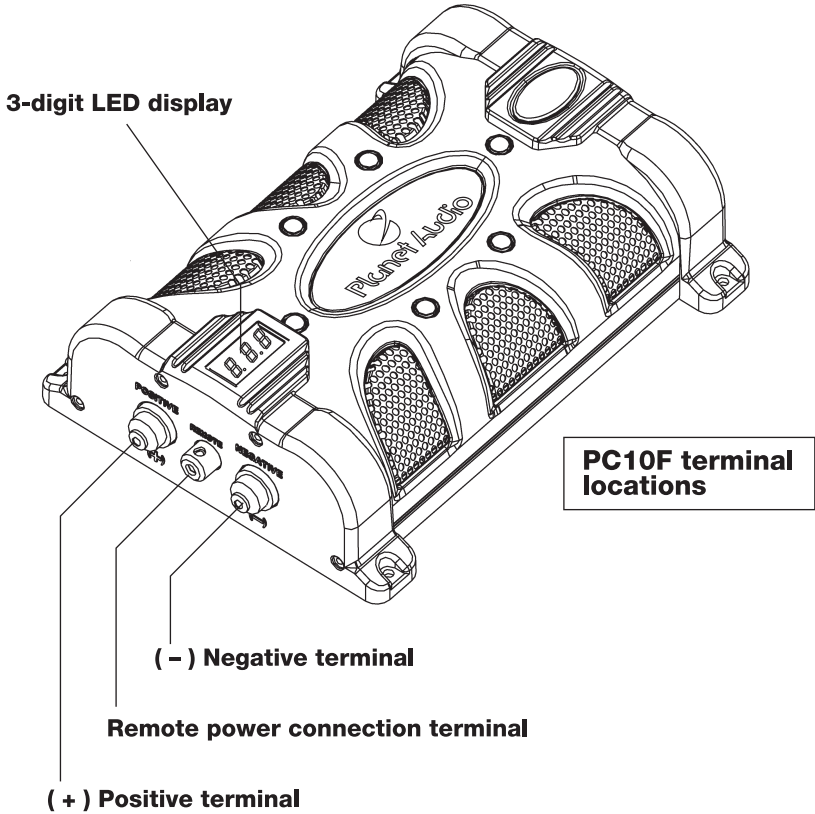
WARNING! This power capacitor may explode and cause serious injury or death if abused or connected improperly.

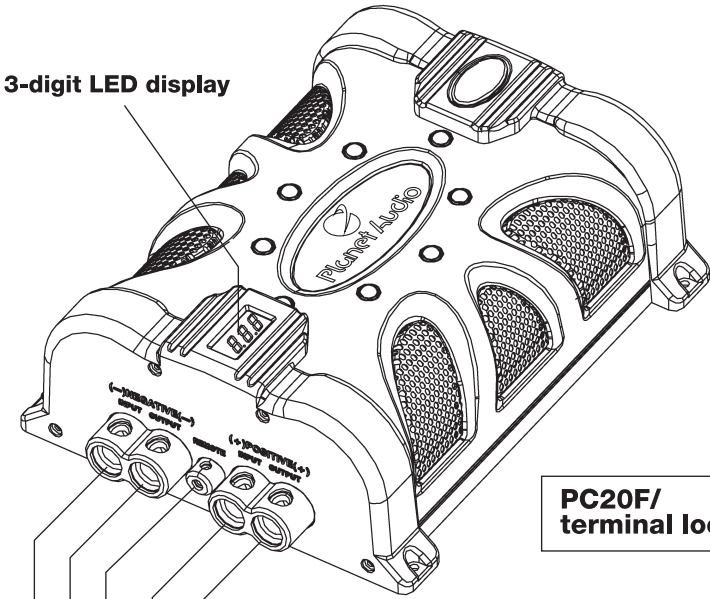
Refer to this installation manual for correct procedures when making connections, and for charging and discharging the capacitor. Never expose the capacitor to voltages higher than specified!

Installation precautions

Prior to installing and connecting the capacitor, please study the drawing below and become familiar with the physical features of the capacitor.

Securely mount the capacitor using the hardware provided. Be careful when choosing a mounting location to avoid moving parts, and possible exposure to moisture.





3-digit LED display

**PC20F/
terminal locations**

(+) Positive OUTPUT terminal

(+) Positive INPUT terminal

These terminals are designed to accommodate 0GA and 4 GA cables.

Remote power connection terminal

(-) Negative OUTPUT terminal

(-) Negative INPUT terminal

These terminals are designed to accommodate 0GA and 4 GA cables.

Important note about charging the capacitor

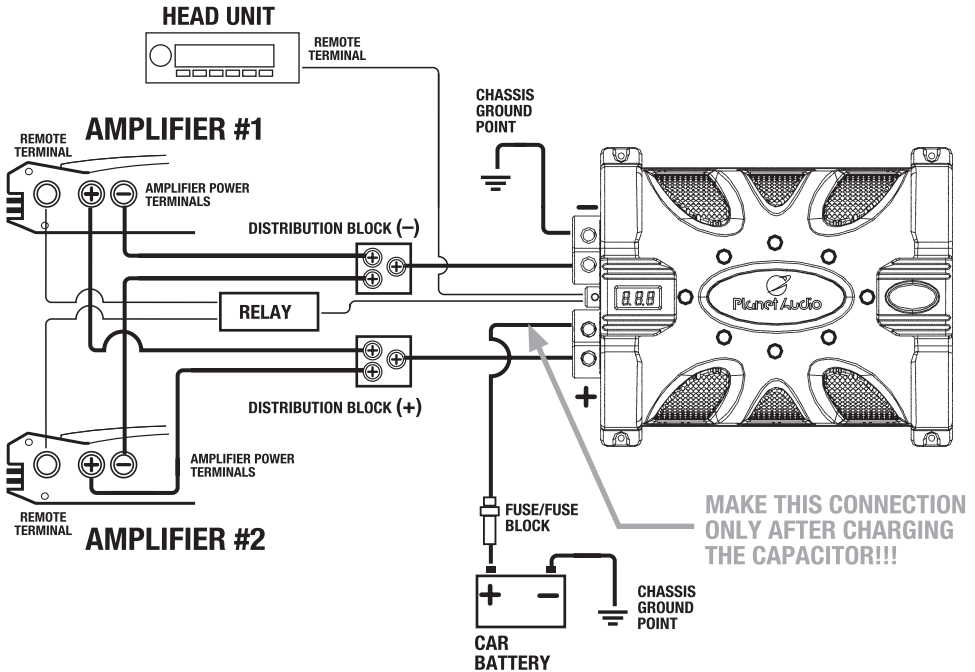
This capacitor must be charged BEFORE connecting the POWER and GROUND cable to the capacitor.

Failure to charge the capacitor will result in a large spark generated from the rapid inflow of current which can be very dangerous.

Electrical connections for PC20F

Make all wiring connections as shown in the diagram, but **do not attach the incoming positive cable to the capacitor positive terminal**.

Connect the positive terminal only after following the instructions for charging the capacitor on page 8.

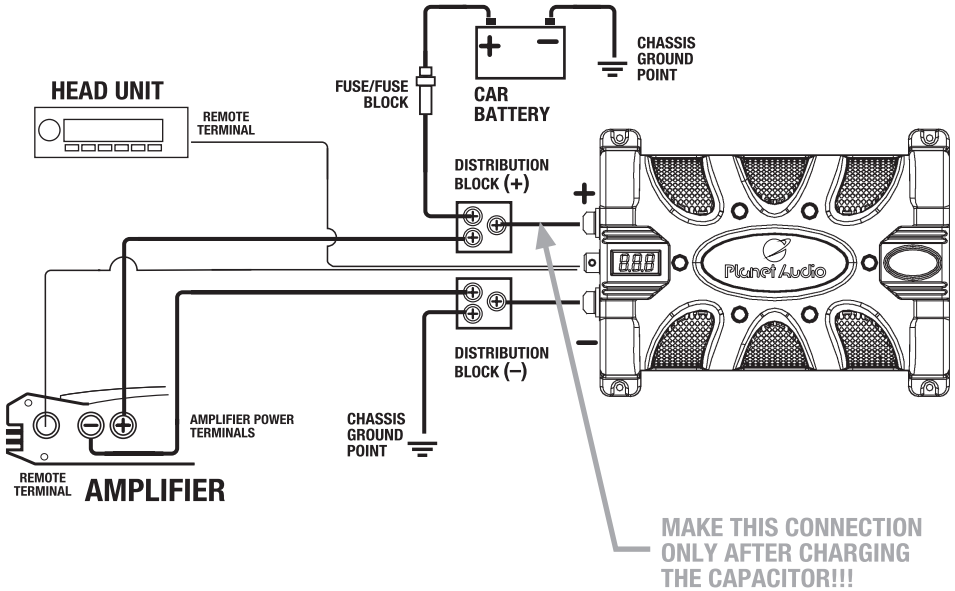


**WIRING DIAGRAM:
PC20F in Two Amplifier System**

Electrical connections for PC10F

Make all wiring connections as shown in the diagram, but **do not attach the incoming positive cable to the capacitor positive terminal.**

Connect the positive terminal only after following the instructions for charging the capacitor on page 8.



**WIRING DIAGRAM:
PC10F In Single Amplifier System**

Charging the capacitor

As noted earlier, make all connections according to the diagram(s) on the preceding pages EXCEPT for the POSITIVE (+) connection to the capacitor. To charge the capacitor, follow these steps:

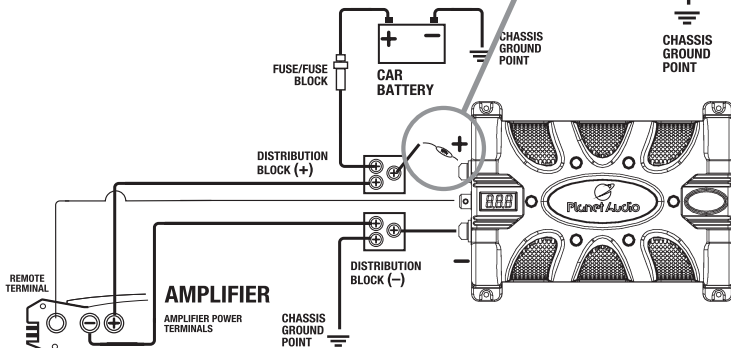
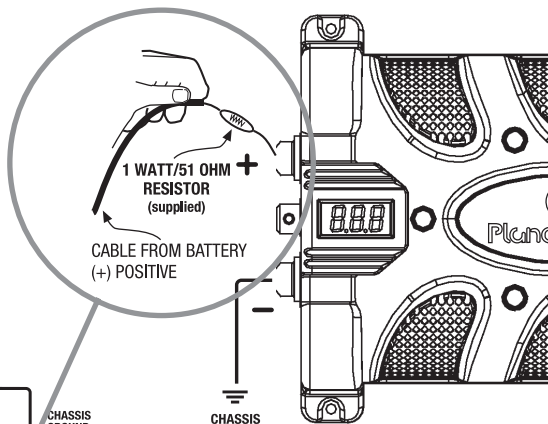
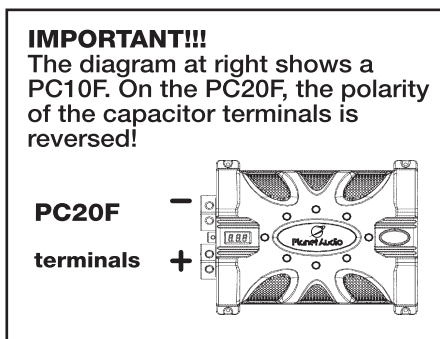
- 1) Pick up the cable coming from the POSITIVE (+) battery terminal.
- 2) Place the supplied charging resistor between the end of this cable and the positive terminal of the capacitor. The capacitor will begin charging. Charging generally takes 5-60 seconds. During charging, the voltage shown in the 3-digit display will rise rapidly, then slow as it approaches the voltage of your vehicle's battery. When fully charged, the displayed voltage will stop rising.

If you have a voltmeter, you can first measure the voltage of your car battery. Then you will know with accuracy that the capacitor is fully charged.

CAUTION!! During charging, the resistor will become hot. This is normal, but exercise caution during the charging process.

- 3) After charging is complete, remove the resistor from the incoming positive cable, and IMMEDIATELY connect it to the positive terminal of the capacitor.

The installation and charging process are now complete, and you can begin using your audio system and enjoying the benefits of your new system enhancement.



Discharging the capacitor

CAUTION!!

Never remove the capacitor without discharging the stored power. It can give a dangerous electrical shock, even after disconnection.

To safely discharge and disconnect the capacitor, follow these steps:

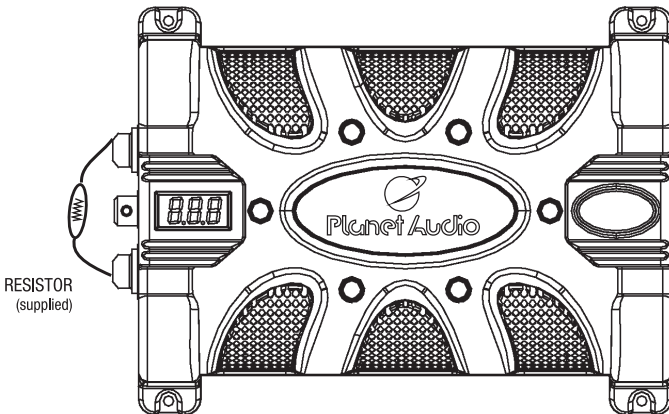
1) Disconnect cables from the capacitor in the following order:

POSITIVE cable
GROUND cable
REMOTE cable

2) Using the resistor provided, touch one lead to the POSITIVE (+) terminal and one lead to the NEGATIVE (-) terminal.

CAUTION!! *During discharging, the resistor will become hot. This is normal, but exercise caution during the discharging process.*

After 1-5 minutes, the capacitor will be discharged (the display will show 0.00V) and you can safely remove and handle it.



Specifications



| MODEL | <i>20 Farad Super Hybrid Power Capacitor</i> | <i>10 Farad Power Capacitor</i> |
|---|--|---------------------------------|
| | PC20F | PC10F |
| Capacitance, microfarads | 20,000,000 | 10,000,000 |
| Working voltage | 16VDC | 16VDC |
| Surge voltage | 20VDC | 20VDC |
| ESR (Equivalent series resistance) | — 0.015 Ohm @ 120Hz/25°C — | |
| Capacitance tolerance | ———— +/- 10% ————— | |

Dimensions, inches (mm)

| | | |
|--------------|----------------------------|---------------------|
| PC20F | 10-7/8 x 8-1/2 x 3-5/8 | (27.6 x 21.5 x 9.2) |
| PC10F | 9-15/16 x 7-3/16 x 2-11/16 | (25.2 x 18.2 x 6.8) |

All specifications subject to change without notice.