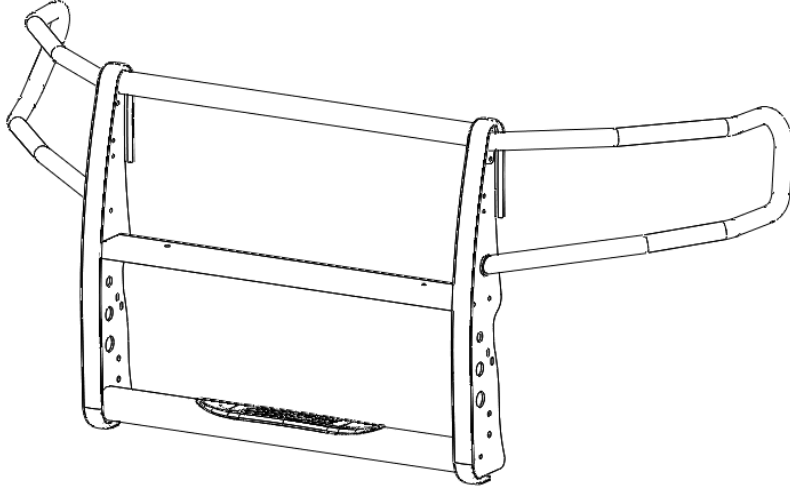


GO RHINO®

INSTALLATION INSTRUCTIONS



PART NO.

- 3130MT

PRODUCT DESCRIPTION:

- 3000 SERIES STEP GUARD

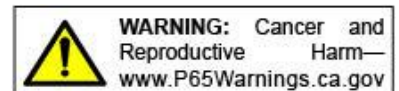
APPLICATION:

- RAM 1500

NOTE: This product will interfere with forward facing sensors.

PRODUCT SAFETY & LEGAL DISCLAIMER

- **IMPORTANT READ ALL INSTRUCTIONS CAREFULLY BEFORE INSTALLING, FAILURE TO DO SO MAY CAUSE PERSONAL INJURY OR DAMAGE TO PRODUCT AND/OR PROPERTY.**
- **Review the product package and contents prior to beginning the installation.** Take care when opening the packaging and removing items. If a return is needed you will want to return the product in its original packaging if possible.
- This instruction guide is provided as a GENERAL installation guide, some vehicles vary dimensionally and may require additional steps.
- Test fit the product on the vehicle prior to any third party modifications and or finishing. The manufacturer and/or distributors do not accept responsibility for third party charges, labor and or third part replacement modifications. Some modifications may void the factory warranty.
- Exercise due-diligence when installing this product. The manufacturer and distributors of this product do not accept any responsibility for vehicle damage or personal injury resulting from the installation of this product. Careless installation and operation can result in serious injury or equipment damage.
- This product is for general off-road use. All liability for installation and use rests with the owner/operator.
- **INSTALLER:** Once installation is complete, please return this guide along with other documentation included in this product back to the consumer for future reference. The manufacturer/distributors of this product do not guarantee this particular version will be available at a later date.



© 2016 Go Rhino Products. All rights reserved

www.gorhino.com

589 W. Apollo St., Brea, CA 92821

P: 888 427 4466



INSTALLATION INSTRUCTIONS

INJURY HAZARD

Please complete a shop and tool inspection prior to beginning the installation.

- Always make sure you have a clean, dry and well lit work area.
- Always remove jewelry, loose fitting clothing and wear protective gloves and eye protection.
- Always use extreme caution when jacking or raising a vehicle for work. Set the emergency brake and use tire/wheel blocks and jack stands. Refer to the vehicle manufacturer hand book. Utilize the vehicle manufacturers designated lifting points.
- Always use appropriate and adequate care in lifting parts during disassembly and installation. Seek help in lifting heavy or large items into place. Utilize jacks and or lifting devices when available.
- Always insure products are secure during disassembly and installation.
- Always wear eye protection and take steps to protect any exposed skin during the installations. Drilling, cutting and grinding plastic and metal may create flying particles that can cause injury.
- Always use extreme caution when drilling, cutting and or grinding on a vehicle. Thoroughly inspect the area to be drilled, on both sides of material, prior to modification and relocate any objects that may become damaged.
- Always assemble and tighten all fasteners per the installation instructions.
- Always route electrical cables carefully. Avoid moving parts, parts that may become hot and rough or sharp edges.
- Always insulate and protect all exposed wiring and electrical connections.

MAINTENANCE AND CARE

- Always perform regular inspections and maintenance on mounts and related fasteners.
- Periodically check and tighten all fasteners.
- Stripped, fractured, or bent fasteners must be replaced.
- After washing the vehicle make sure to fully dry all surfaces.
- In areas with cold temperatures make sure to wash the product often to remove harmful materials used on road ways.
- Never use abrasive cleaners or polish compounds. Clean with a gentle soap and water. If you use wax use a non-abrasive automotive wax such as pure carnauba wax.

WARNING

Some products have been designed to work together with factory rear sensor systems, factory forward facing sensor systems and factory air bags.

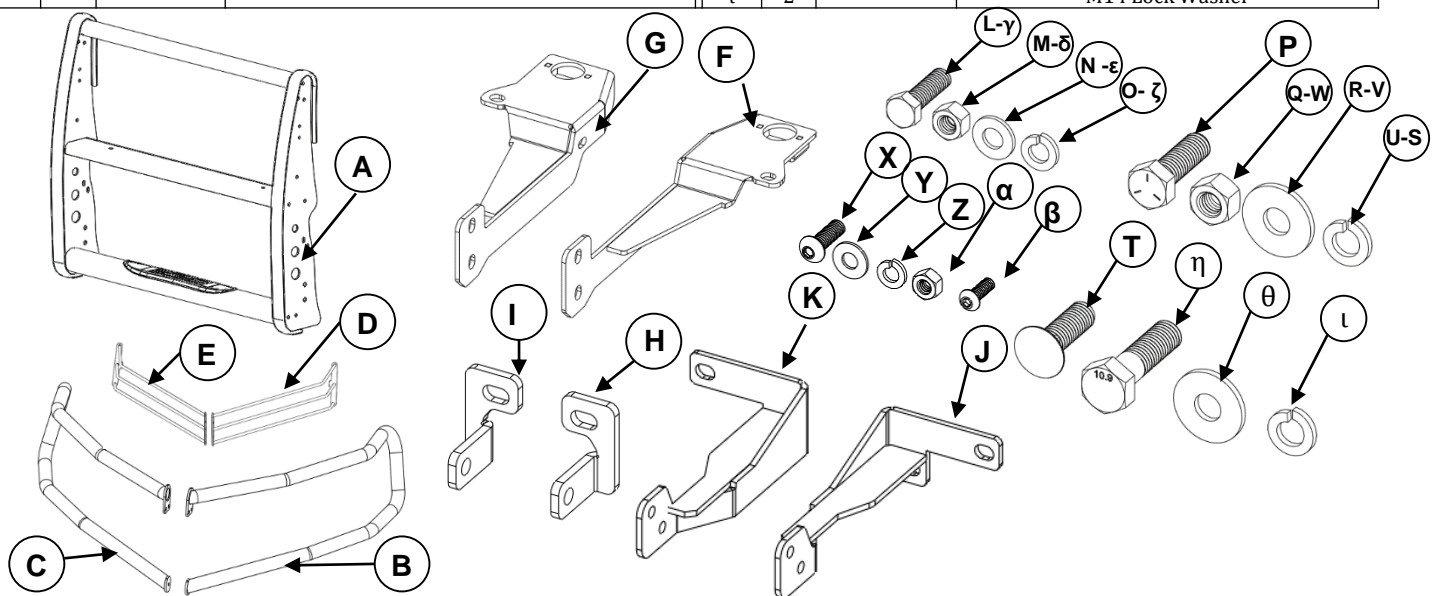
- Installation of some of these products may alter the factory sensor system performance.
- Factory sensors may read shackles or hooks protruding from the fairlead and or tow hooks.
- All sensor testing is completed by Go Rhino Products and or third party testing labs on modified vehicles.
- Sensor sensitivity, factory sensor housing, orientation, and operating conditions are all variables that will influence functionality of the sensors.
- Installation of some product may effect the factory air bag systems.
- Some products allow the use of third party products such as winches, shackles, hooks, etc. Follow the respective manufacturers operating instructions for use with our products.
- Make sure to fully understand the product, it's intended use and operation prior to use.
- Above all... be safe!

GO RHINO®

INSTALLATION INSTRUCTIONS

PARTS INCLUDED IN THIS LIST:

ITEM	QTY.	PART NUMBER	DESCRIPTION	ITEM	QTY.	PART NUMBER	DESCRIPTION
A	1		Grille Guard (Unassembled)	R	8		1/2" Flat Washer
B	1		Brush Guard (driver)	S	4		1/2" Lock washer
C	1		Brush Guard (passenger)	T	2		1/2 x 1 1/4" Carriage Bolt Zinc plated
D	1		Head Light Protector (driver)	U	2		1/2" Lock Washer Zinc plated
E	1		Head Light Protector (passenger)	V	2		1/2" Flat Washer Zinc plated
F	1		Lower Bracket (driver)	W	2		1/2" Hex nut Zinc plated
G	1		Lower Bracket (passenger)	X	8		5/16 x 1" Button Head Bolt
H	1		Auxiliary Bracket (driver)	Y	8		5/16" Flat Washer
I	1		Auxiliary Bracket (passenger)	Z	8		5/16" Lock Washer
J	1		Upper Bracket (driver)	α	8		5/16" Hex nut
K	1		Upper Bracket (passenger)	β	2		1/4 x 1" Button Head Bolt
L	14		3/8 x 1 1/4" Hex Bolt	γ	4		3/8 x 1 1/4" Hex Bolt Zinc plated
M	8		3/8" Hex Nut	δ	4		3/8" Hex Nut Zinc plated
N	8		3/8" Flat Washer	ε	8		3/8" Flat Washer Zinc plated
O	14		3/8" Lock Washer	ζ	4		3/8" Lock Washer Zinc plated
P	4		1/2 x 1 1/2" Hex Bolt	η	2		M14-2 x 50mm Hex Bolt
Q	4		1/2" Hex nut	θ	2		M14 Flat Washer
				ι	2		M14 Lock Washer



Go Rhino recommends you, the installer, read this installation instruction manual from front to back before installing the product. You may also [click here](#) to view an installation video or visit <http://www.gorhino.com/Installation-Videos>.

TOOLS NEEDED FOR INSTALLATION:

- Inch / Metric Socket & Wrench Set
- Ratchet, Ratchet Extensions & Swivel Joint Adapter
- Trim Removal Tool or Slotted Blade Screw Driver
- Drill Motor & 1/4" Drill Bit
- Cutoff Tool & Diagonal-Cutting Pliers

ESTIMATED TIME FOR INSTALLATION:

1.5 Hour

If you need installation service for your new product, call the authorized distributor from whom you purchased the product or an authorized installation service company which can be found by calling toll free 1-888-427-4466



INSTALLATION INSTRUCTIONS

GRILLE GUARD AND BRUSH GUARDS ASSEMBLY INSTRUCTIONS

Step-1 Begin the grille guard assembly by laying the components out on a protective surface.

Step-2 Position the grille guard side plates with the front edge down and the 2" top and bottom step tube between the side plates.

Step-3 Attach the top and bottom step tube to the side plates using the 3/8" x 1 1/4" hex bolts and lock washers. Do not tighten.

Step-4 Position the center plate between the grille guard side plates, with the slotted mounting holes in the center plate down.

Step-5 Insert the 3/8" x 1 1/4" hex bolts through the holes in the side plates and center plate, and install the 3/8" flat washers, lock washer and hex nuts. Do not tighten.

Step-6 Align the grille guard assembly, and tighten all nuts and bolts.

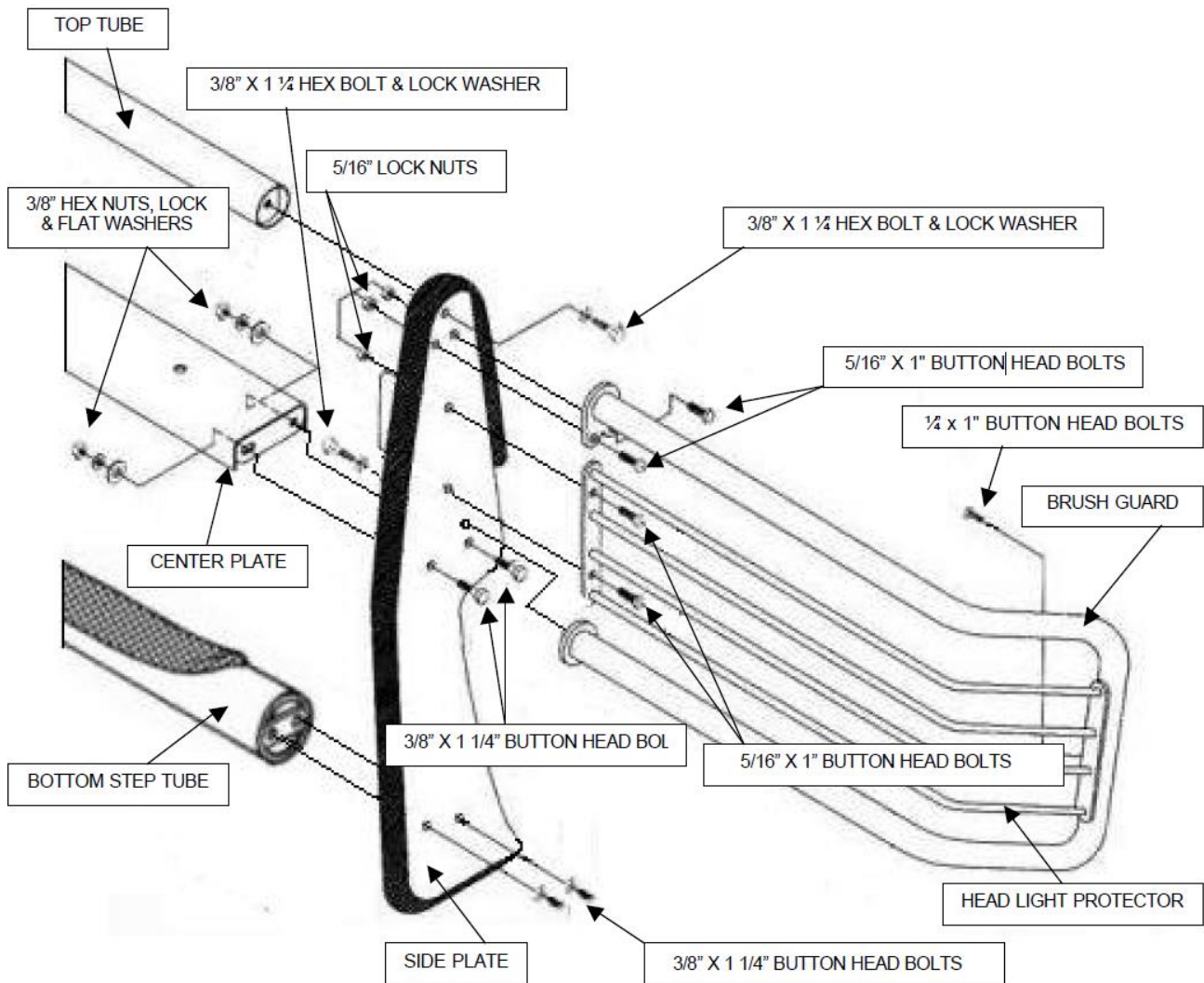
Step-7 Attach the brush guards to the grille guard side plates using the 3/8" x 1 1/4" button head bolts, lock washers and nuts. Do not tighten.

Step-8 Attach the head light protectors to the brush guards using the 1/4" x 1" button head bolts, and to the side plates using the 5/16" x 1" button head bolts, and lock nuts. Do not tighten.

Step-9 Align the grille and brush guards assembly, and tighten all nuts and bolts.

GO RHINO®

INSTALLATION INSTRUCTIONS

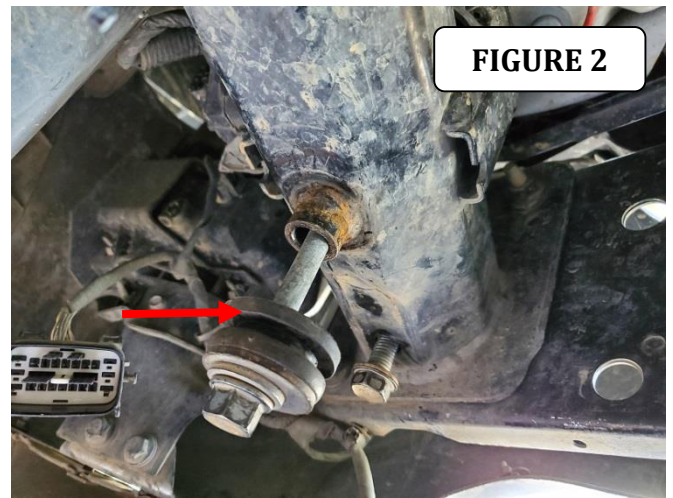
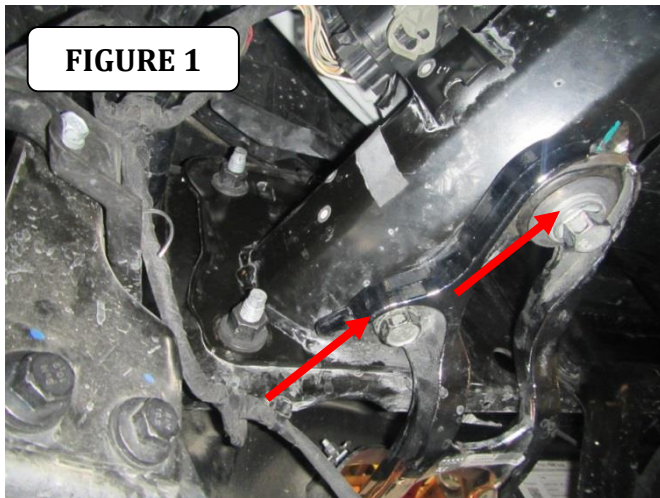


GO RHINO®

INSTALLATION INSTRUCTIONS

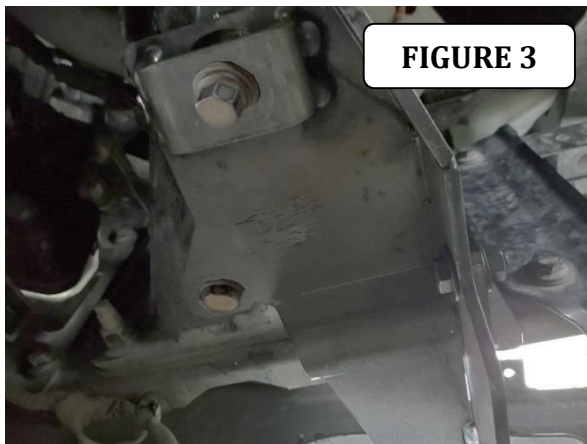
Step-1 If the vehicle has tow hooks, on each side of the vehicle using a 18mm socket remove the (2) bolts securing the tow hook. Figure 1. Remove the tow hook pushing out the rubber ring from the rear part of the hook. Note: The tow hooks will not be reinstalled.

Step-2 Remove the rear bolt from the frame. It has is a retainer washer inside the frame that holds in the bolt after loosening it. Using a wrench and a hammer, tap the wrench on the bolt until it falls out. See Figure 2.



Step-3 Place the lower bracket on the frame and secure using the bolts removed on previous steps. Do not tighten yet. Figure 3.

Step-4 If the vehicle does not have the tow hooks, you must remove the tow hook filler panel from the backside of the bumper. Figure 4. To attach the lower bracket, remove the rear bolt from the frame as described in step 2. Secure the lower bracket using the bolt removed and the M14 bolt with flat & lock washers.

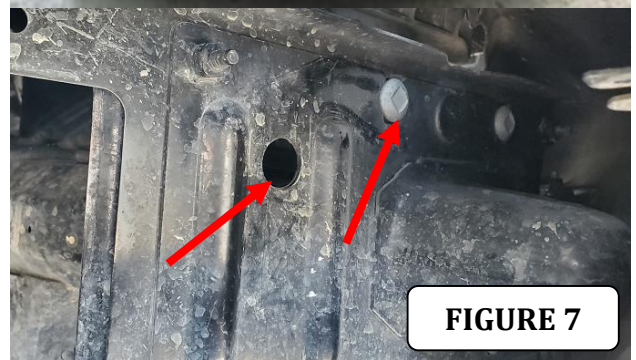
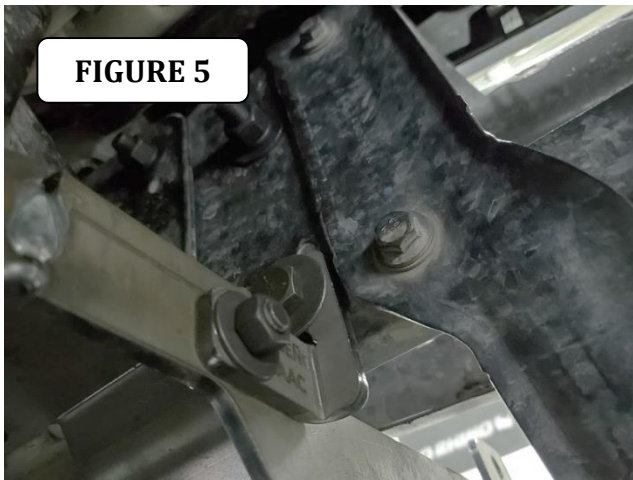


GO RHINO®

INSTALLATION INSTRUCTIONS

Step-5 Locate the existing hole on the bumper beam just above the lower bracket and place the auxiliary bracket and secure to the bumper beam and the lower bracket using (2) 3/8 x 1 1/4" hex bolts, flat & lock washers and hex nuts. Figure 5.

Step-6 Remove the plastic bumper cover from the bumper (Figure 6) by removing the push pins and bolts.



Step-7 Locate the existing hole and the existing bolt on the bumper beam. Figure 7. Remove the factory bolt. NOTE: Use a hammer to push out the factory carriage bolt.

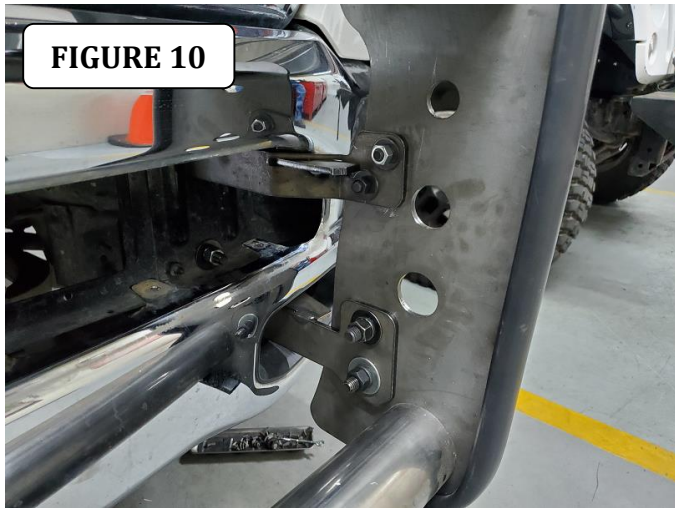
Step-8 Place the upper bracket. Figure 8. Attach it using the bolt and nut removed and (1) 1/2 x 1 1/4" carriage head bolt, flat & lock washers and hex nuts.



GO RHINO®

INSTALLATION INSTRUCTIONS

Step-9 Cut out the plastic bumper cover to allow the upper bracket pass through. Place the plastic cover over the bumper. Do not install yet.



Step-10 Place the Grille Guard over the lower and upper brackets. Figure 9. Secure the lower brackets using (2) 1/2 x 1 1/2" hex bolts, (4) 1/2" flat washers, (2) 1/2" lock washers and (2) 1/2" hex nuts. Secure to upper brackets using (2) 3/8 x 1 1/4" hex bolt, (2) 3/8" flat washer, (2) 3/8" lock washer and (2) 3/8" hex nut. Leave loose. Figure 10.

Step-10 Align the Grille Guard with the front of the vehicle and tighten all bolts and nuts. Reinstall the plastic bumper cover.

Step-12 Periodically it may need re-tighten the bolt.





INSTALLATION INSTRUCTIONS

LIMITED WARRANTY

Go Rhino warrants to Buyer that for a period of five (5) years from the date of shipment of the product(s) ("Warranty Period") for black finishes and chrome finishes, that such products will materially conform to the specifications set forth in Go Rhino's specifications in effect as of the date of shipment(s) and will be free from material defects in material workmanship.

Go Rhino warrants to Buyer that for the life of the product(s) from the date of shipment of the product(s) ("Warranty Period") for polished stainless steel finished products purchased after April 2004, that such products will materially conform to the specifications set forth in Go Rhino's specifications in effect as of the date of shipments and will be free from material defects in material workmanship.

Warranty claims must be accompanied with the original invoice and photos of the product. It is the customer's responsibility to clean regularly and protect finish with regular applications of a nonabrasive polish that is compatible with the product's finish.

This warranty covers the cost of the product only and does not include the cost of removal, installation, third party modifications or shipping of the product. In no event shall Go Rhino be liable to buyer or any third party for any damage or harm caused by the product or use thereof, regardless of whether such damages were foreseeable and whether or not Go Rhino has been advised of the possibility of such damages, not withstanding the failure of any agreed or other remedy of its essential purpose. This warranty is void if the product shows signs of alteration, misuse, mishandling, improper care, neglect, improper application and/or damage due to improper installation.

With respect to any such product(s) during the limited warranty period, Go Rhino shall, in its sole discretion, either: (i) provide a one-time repair or replacement of such products (or the defective part) or (ii) credit or refund the price of such products at the pro rata contract rate provided that, if Go Rhino so requests, Buyer shall, at Go Rhino's expense, return such product(s) to Go Rhino. The remedies shall be the Buyer's sole and exclusive remedy and Go Rhino's entire liability for any breach of the limited warrant(ies).

Go Rhino disclaims all other warranties except to the extent that any such warranty cannot be validly disclaimed under applicable law.

Finish Limited Warranty:

Limited lifetime on stainless steel products (after April 2004)

5 year warranty on black powder coat products

5 year warranty on chrome products

This warranty does not cover exposed welds

Finish warranty covers peeling, flaking, or cracking. Washing all finishes regularly with car wash soap and rinsing well with water is the best method for maintaining the finish on your products. You must also protect the finish with nonabrasive automotive wax on a regular basis. The use of any compound which contains abrasives becomes a self-defeating exercise as the compound scratches the finish and opens it to corrosion. The use of harsh chemicals used to remove bugs and tar may also cause the finish to fail and should be avoided.

If you are unsatisfied with your purchase please contact the establishment you purchased the product from.

If you need to place a warranty claim or need assistance, the Go Rhino customer service team will answer any questions you may have. Please contact the Go Rhino customer service team at 1-888-427-4466 during normal business hours Monday thru Friday 7 am to 5 pm PST. You may also email warranty@gorhino.com. In order to better serve you please provide a copy of the original invoice / receipt, a photo of the issue you are experiencing and a photo of the vehicle the product is installed on.

All warranty returns must have an approved RGA number. The RGA number must be clearly marked on the exterior of the return package. All approved warranty returns must be shipped to Go Rhino Products, 810 Nafta Blvd Laredo, TX 78045

PRODUCT REGISTRATION

Please remember to register your new purchase. You may register your product at www.gorhino.com. Registering your product may help speed any future warranty or customer service inquiries.

Thank you again for purchasing from Go Rhino Products

Please take a few minutes to view additional products for your vehicle and more at GORHINO.com
These installation instructions are available on the Go Rhino web site along with installation videos for many of our products.

www.gorhino.com

www.bigcountryauto.com

www.gorhinopd.com