

# Heavy Duty Front Bumper 07-15 Jeep JK

2007-2015 JEEP WRANGLER

# FBM21JPN

4/30/18

## Bumper Hardware Kit Includes:

- (1) 10 – Hex head bolts (7/16"-14 x 1 1/2") Grade 8
- (2) 14 – Flat washers (7/16") Grade 8
- (3) 10 – Lock washers (7/16") Grade 8
- (4) 4 – Hex head nuts (7/16"-14) Grade 8
- (5) 2 – Hex head bolts (3/8"-16x1.25") Grade 8
- (6) 2 – Flat washers (3/8") Grade 8
- (7) 2 – Lock Washers (3/8") Grade 8

## Components List:

- (1) 1 – Heavy Duty Bumper
- (2) 2 – Outside Nut Plates BP5243 (1 driver/1 pass)
- (3) 2 – Inside Nut Plates BP5237 (1 driver/1 pass)

## O.E. Fog light Hardware Kit Includes:

- (1) 8 – Button head bolts (10-24 x .750")
- (2) 8 – Flat washer (10-24)
- (3) 8 – Serrated flanged nuts or Keps Nuts

## Skid Plate Hardware Kit Includes:

- (1) 4 – Button head bolts (3/8-16 x 3/4") SS
- (2) 4 – Flat washer (3/8") SS
- (3) 4 – Lock washers (3/8") SS
- (4) 2 – Button head bolts (7/16-14x1 1/2") SS
- (5) 2 – Flat washer (7/16") SS
- (6) 2 – Lock washer (7/16") SS

## Components List:

- (1) 2 – 7/16" Nut Plate (BP5238)

## Winch Mount Hardware Kit Includes:

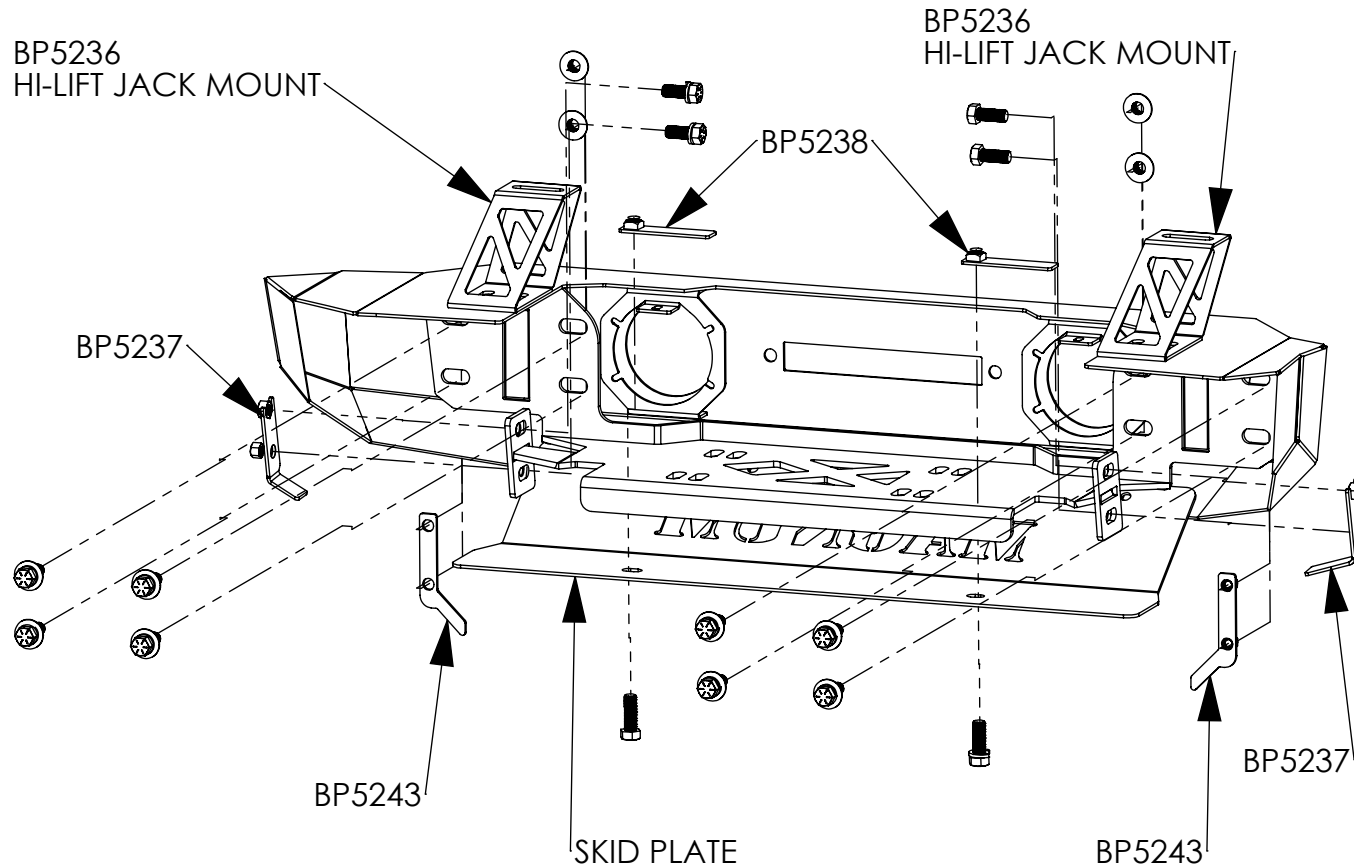
- (1) 2 – Hex head bolts (7/16"-14 x 1 1/4") Grade 8
- (2) 2 – Flat washers (7/16") Grade 8
- (3) 2 – Lock washers (7/16")

## Jack Mount Hardware Kit Includes:

- (1) 4 – Hex head bolts (7/16-14 x 1.0") Grade 8
- (2) 4 – Hex head nuts (7/16-14) Grade 8
- (3) 4 – Lock washers (7/16")
- (4) 8 – Flat washers (7/16")

## Components List:

- (1) 2 – Hi-lift jack mounts BP5236



**LOOSE FIT ALL COMPONENTS.  
DO NOT TIGHTEN UNTIL ALL  
COMPONENTS ARE INSTALLED  
AND ADJUSTED.**



**ATTN: STATE OF CALIFORNIA CONSUMERS  
WARNING: CANCER AND REPRODUCTIVE HARM  
-WWW.P65WARNINGS.CA.GOV**

Like, Tweet and Connect with ICI  
Visit us on YouTube for installation videos!

Visit the ICI Website for other exciting accessories for your vehicle. [www.icionline.com](http://www.icionline.com)

## FBM21JPN – 2007-2015 JEEP WRANGLER FRONT BUMPER INSTALLATION INSTRUCTIONS

1. Disconnect negative battery terminal.
2. Underneath the front bumper is a plastic skid plate held on with 6 push pin tabs. With a small flat screw driver, pry up the release on each pin and remove pins with skid plate.
3. Disconnect the wiring plug from the rear of each fog light if equipped.
4. Remove the 8 nuts holding the factory bumper to the frame. There are 4 nuts per side, once removed the bumper can be pulled straight forward and removed from the vehicle.



5. Remove the plastic panel on top of the front frame rails by removing 2 more push pin tabs.
6. Remove the vacuum canister (if equipped) attached to the inside driver frame rail by removing 2 bolts holding it to the frame. The hoses do not need to be removed, the canister can be pushed out of the way enough to install the Magnum bumper.



## FBM21JPN – 2007-2015 JEEP WRANGLER FRONT BUMPER INSTALLATION INSTRUCTIONS

7. If you want to reuse the factory fog lights, remove them from the factory bumper using a Philips head screw driver. Mount the fog lights in the Magnum bumper using provided hardware.



8. With help, place Magnum bumper on front of vehicle, the bumper must be pivoted around the front frame mounts. Install (4) 7/16" bolts, flat washers, lock washers and nuts through bumper and vehicle frame.



## FBM21JPN – 2007-2015 JEEP WRANGLER FRONT BUMPER INSTALLATION INSTRUCTIONS

9. There are (4) nut plates to mount the bumper, (2) outside frame nut plates (BP5243 shown on top) and (2) inside frame nut plates (BP 5237 shown on bottom). Install with 7/16" and 3/8" provided hardware.



Outside Frame Rail Nut plates (BP5243), slide in from underneath bumper and install with 7/16" hardware.



Inside frame rail nut plates (BP5237).

10. Reinstall vacuum canister with factory hardware.

## FBM21JPN – 2007-2015 JEEP WRANGLER FRONT BUMPER INSTALLATION INSTRUCTIONS

11. If installing a winch, proceed at this time. Depending on winch, the vacuum canister may need to be relocated and its mounting bracket may need to be notched (relocation bracket is not included). A standard small chassis 8-10k winch will fit without modifying or removing the vacuum canister.
12. Plug fog light wiring harness back into fog lights.
13. Install skid plate with provided 7/16" nut plates (BP5238), bolts, washers and 3/8" bolts and washers.



## FBM21JPN – 2007-2015 JEEP WRANGLER FRONT BUMPER INSTALLATION INSTRUCTIONS

14. The Magnum bumper includes mounts for a Hi-Lift type jack (no jack or lights are included with the bumper), these mounts bolt to the holes in the top of the bumper and sets the jack above the winch. Install with provided 7/16" hardware. It may be necessary to remove Hi-Lift Base from jack.



15. Reconnect battery ground.