

Raptor Series



Your satisfaction is important to us, please let us help!

If you have any questions or concerns during the installation, our support representatives are available to assist you.

Please call: 1-877-769-3765 or Live Chat at www.raptorseries.com

If you have damaged or missing parts please contact the company you purchased the product from and notify them of the issue right away.



CAUTION: Do not install damaged parts!!!

Raptor Series

Easy Return / Easy Exchange

Want to return an item or exchange? Not satisfied with purchase?

No problem. We strongly believe in service after the sale and we stand behind our products and our service to you, our valued customer. There is no problem we can't solve for you!

Items that have been installed and/or damaged after receipt, are no longer in new and ready-to-sell condition and cannot be refunded, replaced or exchanged unless it has a manufacturer defect or was damaged in shipping. In addition, we cannot accept return on items that are not in the original packaging. Items returned in poor condition or having parts missing will not be credited.

Please note: Your request for return or replacement must be initiated within 30 days of delivery of your merchandise.

Did your order arrive damaged?

Please do not install damaged products. Contact the company you purchased your product from as soon as possible and notify them of the damages. They will make arrangements with you to assist with the problem.

Did you order the wrong part or receive the wrong item?

Don't worry. From time to time human error can result in problems with ordering or shipping. Contact the company you purchased your product from as soon as you notice the error. Every company has their own policy on returning parts that have been ordered incorrectly or shipped incorrectly.

In the event that you need to ship your part back to return/exchange, please ship to the warehouse below:

**CYC Returns Warehouse
2415 Cathy Lane
Jasper, IN 47546**



Raptor Series

Raptor Series Warranty

LIMITED TEN (10) YEAR WARRANTY

For Powder Coated Steel Products

CYC Engineering, Inc. guarantees the original purchaser of our products a limited ten (10) year warranty from the date of original purchase against manufacturer defects in materials, workmanship and finish under normal use. The step pads are covered under warranty for 1 year. This warranty does not include damage resulting from road hazards such as gravel or other debris, product misuse, improper installation, impairments from accidents, product modifications, product neglect or scratches during the life of the product. This limited ten year warranty applies only to new products and is limited to the repair or replacement of company's products. Warranty does not include costs of removal, installation, labor, inconvenience or consequential damages. Original purchaser must return defective merchandise along with the purchase receipt, to the original place of purchase.

LIMITED LIFETIME WARRANTY

For Stainless Steel Products

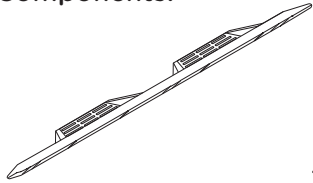
CYC Engineering, Inc. guarantees the original purchaser of our products a limited lifetime warranty from the date of original purchase against manufacturer defects in materials, workmanship and finish under normal use. The step pads are covered under warranty for 1 year. This warranty does not include damage resulting from road hazards such as gravel or other debris, product misuse, improper installation, impairments from accidents, product modifications, product neglect or scratches during the life of the product. This limited lifetime warranty applies only to new products and is limited to the repair or replacement of company's products. Warranty does not include costs of removal, installation, labor, inconvenience or consequential damages. Original purchaser must return defective merchandise along with the purchase receipt, to the original place of purchase.

GTS14CH/GTS16CH

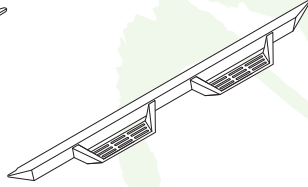
MAGNUM RT STEPS



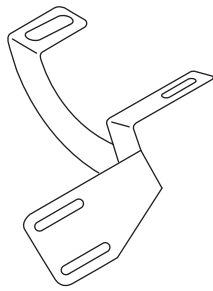
Components:



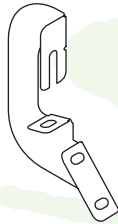
Passenger Side Step Bar Qty 1



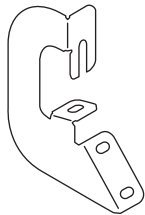
Driver Side Step Bar Qty 1



Passenger Side Front Mounting Bracket (Diesel Only) Qty 1



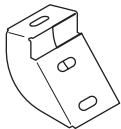
Driver Side Mounting Brackets Qty 4



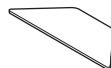
Passenger Side Mounting Brackets Qty 4



Passenger Side 2nd Location Top Mounting Bracket (17-C Diesel Only) Qty 1



Passenger Side 2nd Location Bottom Mounting Bracket (17-C Diesel Only) Qty 1

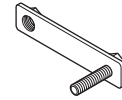


Front Armor Plates Qty 2

Hardware:



M8 x 30 mm Hex Head Bolts Qty 24



RTSPN175 Bolt/Nut Plates Qty 8



M8 Hex Head Nuts Qty 16



M8 Plastic Push Nuts Qty 8



M8 Flat Washers Qty 40



M8 Lock Washers Qty 32

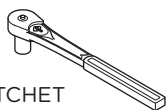


M8 U-Nut Clips Qty 8



1/4" Spacer Qty 1

Tools Required:



RATCHET



TORQUE WRENCH



13MM SOCKET

Torque Specifications:

For Rocker Panel Mount Installations
M8 through M12 bolts and nuts are set to 15-20 ft lbs.

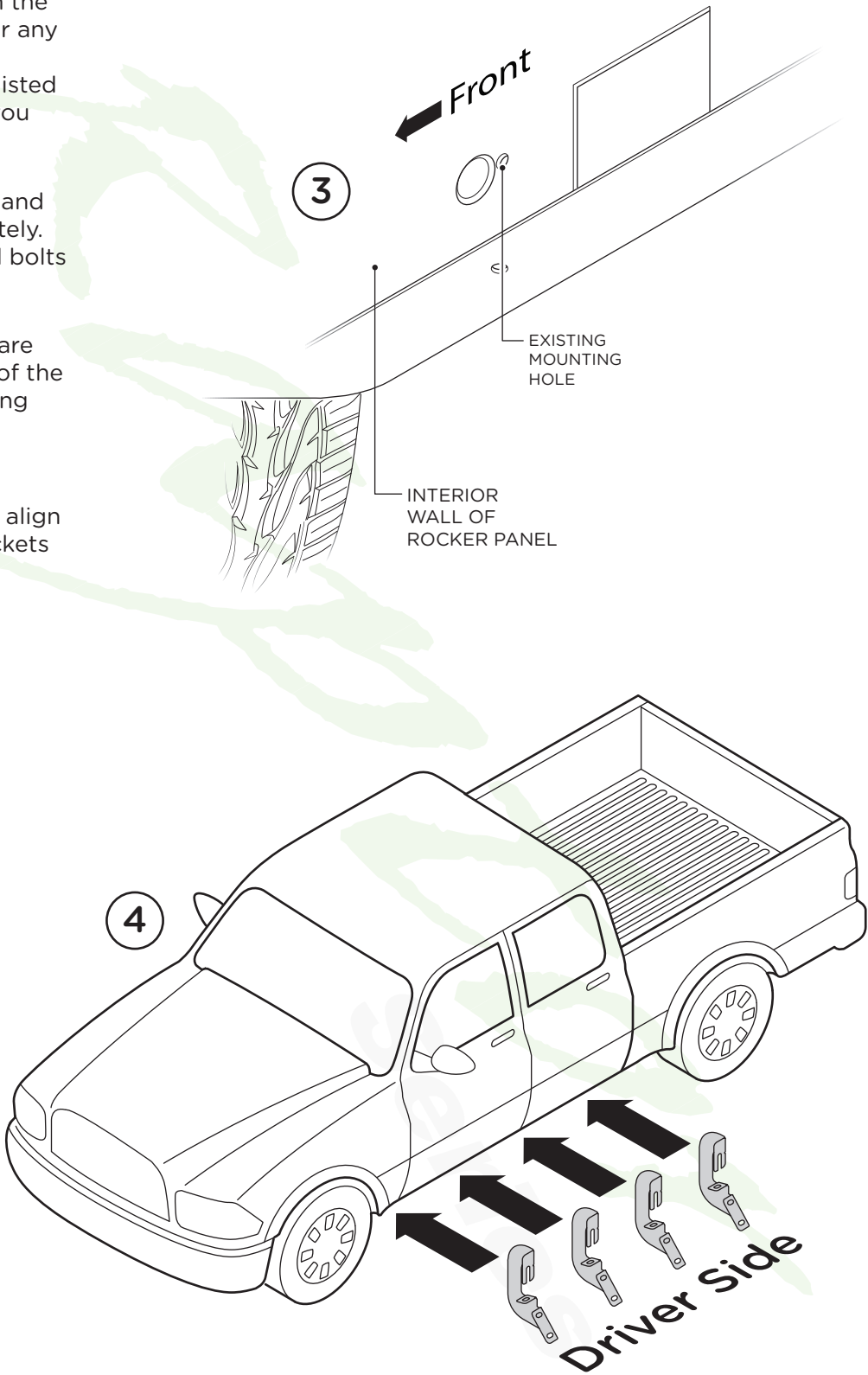
Note: When installing the brackets and bars, all hardware must be left loose until all the items are attached.

1. Remove all contents from the package and check steps for any damage. Also, verify that all components and hardware listed above are included before you begin installation.

2. Read installation manual and installation drawing completely. Understand all brackets and bolts before installation.

3. Existing mounting holes are located on the interior wall of the rocker panel. These mounting holes will be used per the following instruction.

4. On driver side of vehicle, align Front, Center and Rear Brackets as shown.

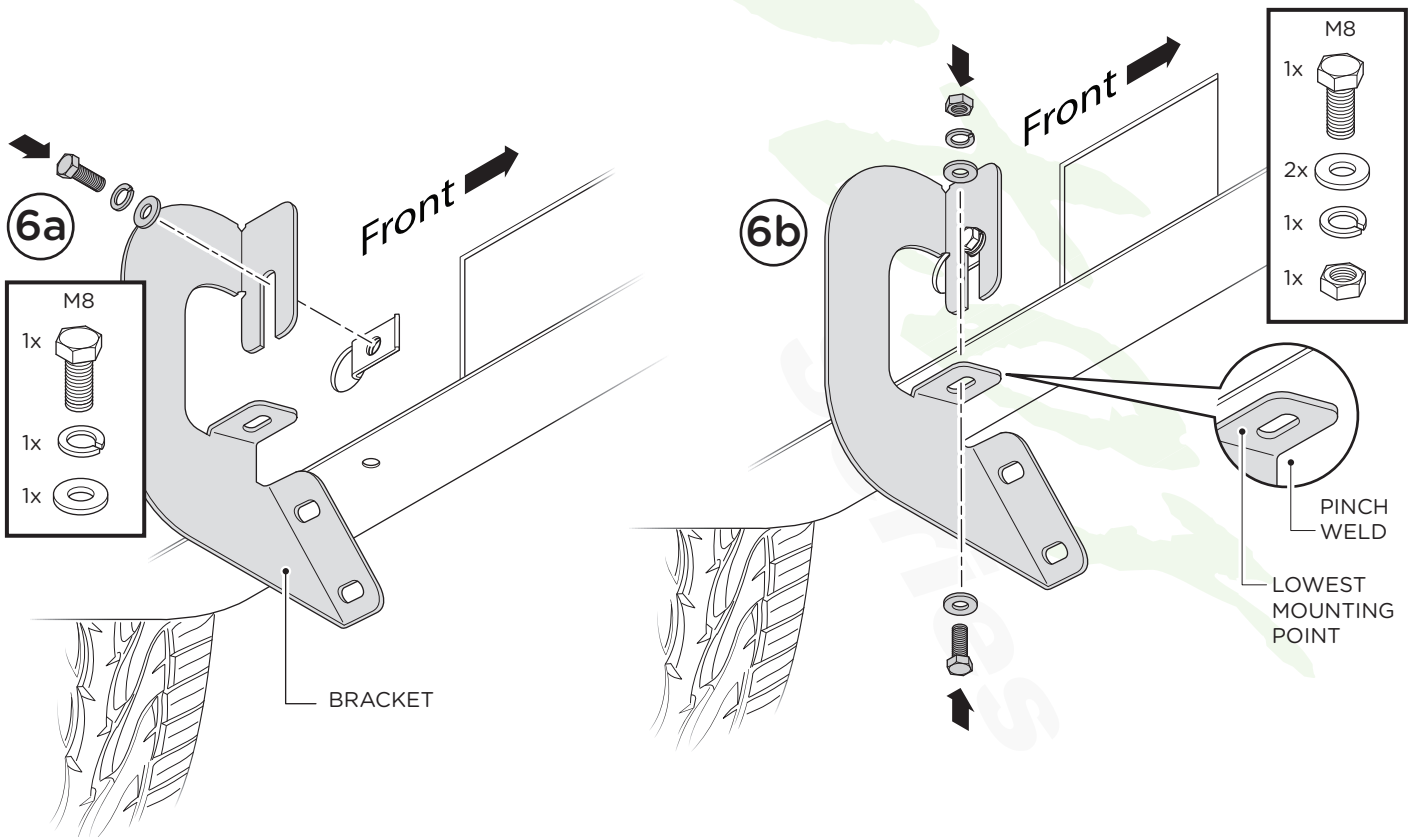
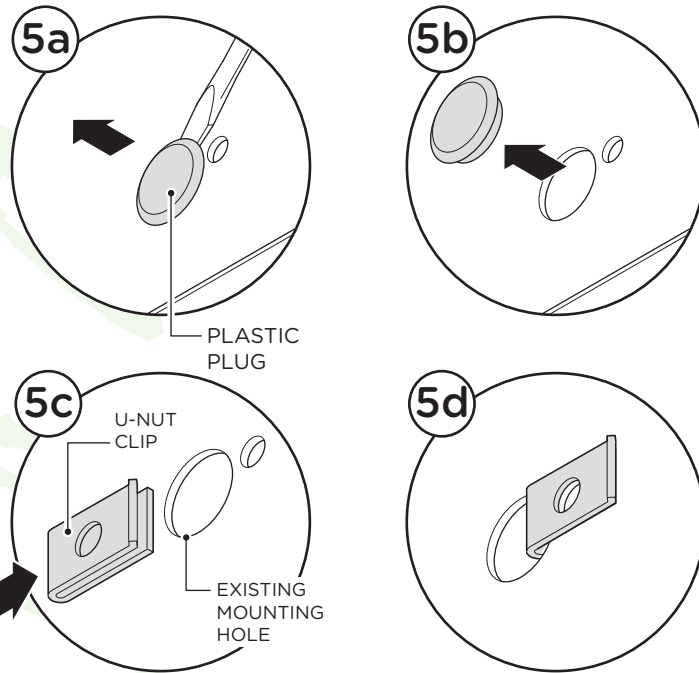


5. If specified holes in the wall of the rocker panel are not threaded, remove plastic plug (5a and 5b) and insert U-Nut Clip so that the threads are facing away from you (5c and 5d).

6. Fasten using one (1) M8 x 30 mm Hex Head Bolt, one (1) M8 Flat Washer and one (1) M8 Lock Washer (6a).

Complete installation of brackets by fastening the bracket to the pinch weld using one (1) M8 x 30 mm Hex Head Bolt, two (2) M8 Flat Washers, one (1) M8 Lock Washer and one (1) M8 Hex Head Nut (6b).

If installing on a gas model, mount passenger side brackets the same way as driver side. If installing on a diesel model with DEF tank, see next step.



Installing on a Diesel Model with DEF Tank

7. If installing on a diesel model with DEF tank, you must use Passenger Side Front Mounting Bracket (Diesel Only) on the front mounting location.

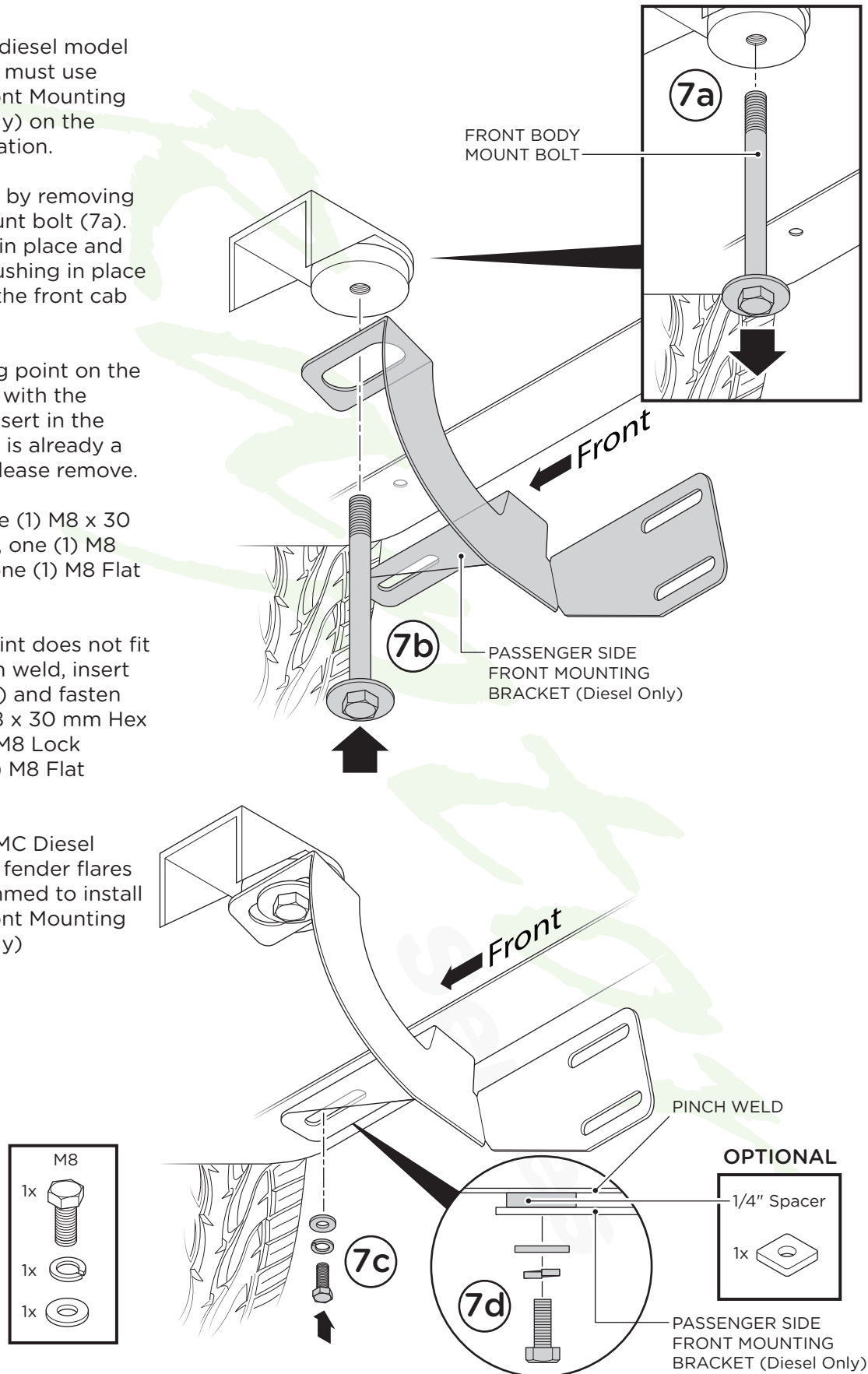
Attach this bracket by removing the front body mount bolt (7a). Hold front bracket in place and keep the factory bushing in place while you reinstall the front cab mount bolt (7b).

The other mounting point on the bracket will line up with the factory threaded insert in the pinch weld. If there is already a bolt in the insert, please remove.

Fasten by using one (1) M8 x 30 mm Hex Head Bolt, one (1) M8 Lock Washer and one (1) M8 Flat Washer (7c).

If this mounting point does not fit flush with the pinch weld, insert the 1/4" spacer (7d) and fasten by using one (1) M8 x 30 mm Hex Head Bolt, one (1) M8 Lock Washer and one (1) M8 Flat Washer.

Note: 2014-2015 GMC Diesel trucks with factory fender flares will need to be trimmed to install Passenger Side Front Mounting Bracket (Diesel Only)



2017-C GM Diesel Trucks With DEF Tank

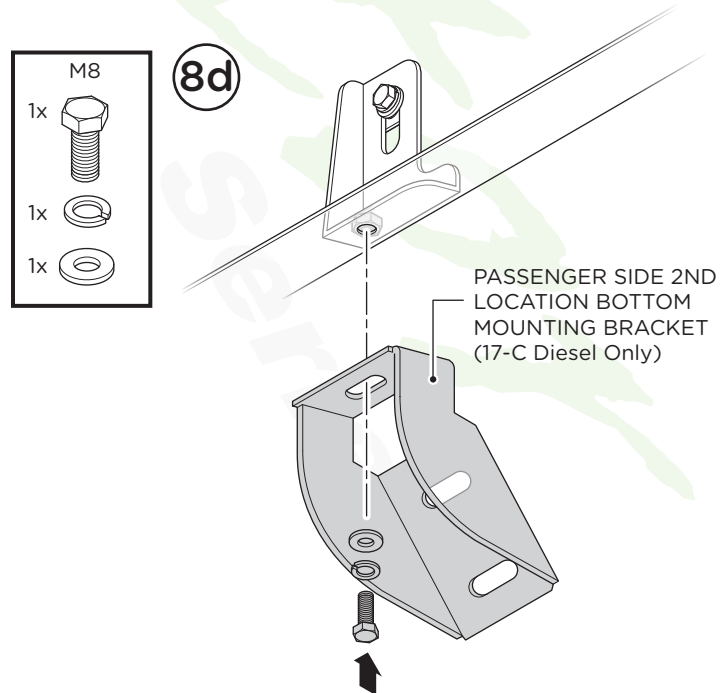
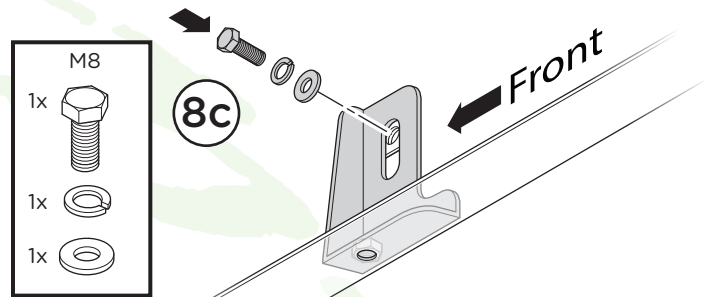
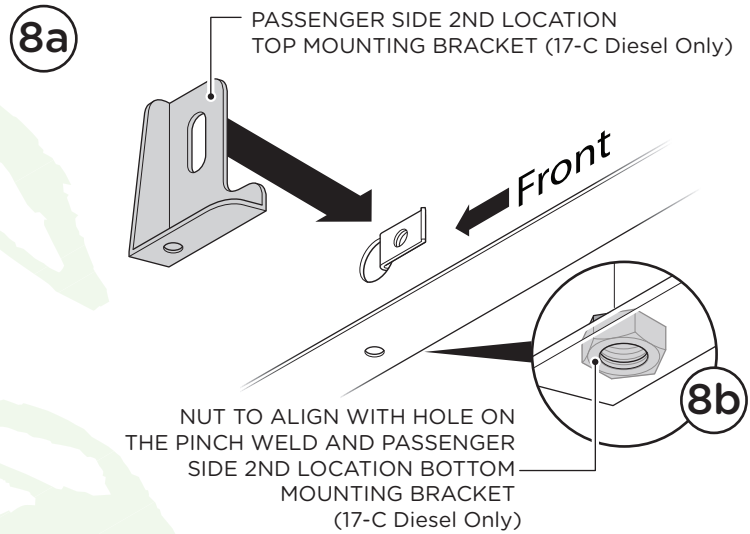
8. Since these trucks have a larger DEF tank, you must use Passenger Side 2nd Location Mounting Brackets (17-C Diesel Only) to mount the steps correctly.

Slide Passenger Side 2nd Location Top Mounting Bracket between the DEF tank and the rocker panel (8a).

The nut on this bracket will line up with the hole on the pinch weld and the vertical mounting point will be aligned with the threaded hole in the rocker panel (8b). If no threaded hole exists, please install M8 U-Nut Clip.

Fasten using one (1) M8x 30 mm Hex Head Bolt, one (1) M8 Lock Washer and one (1) M8 Flat Washer (8c).

Next, hold the Passenger Side 2nd Location Bottom Mounting Bracket to the bottom of the pinch weld and attach to Passenger Side 2nd Location Top Mounting Bracket using one (1) M8x 30 mm Hex Head Bolt, one (1) M8 Lock Washer and one (1) M8 Flat Washer (8d).



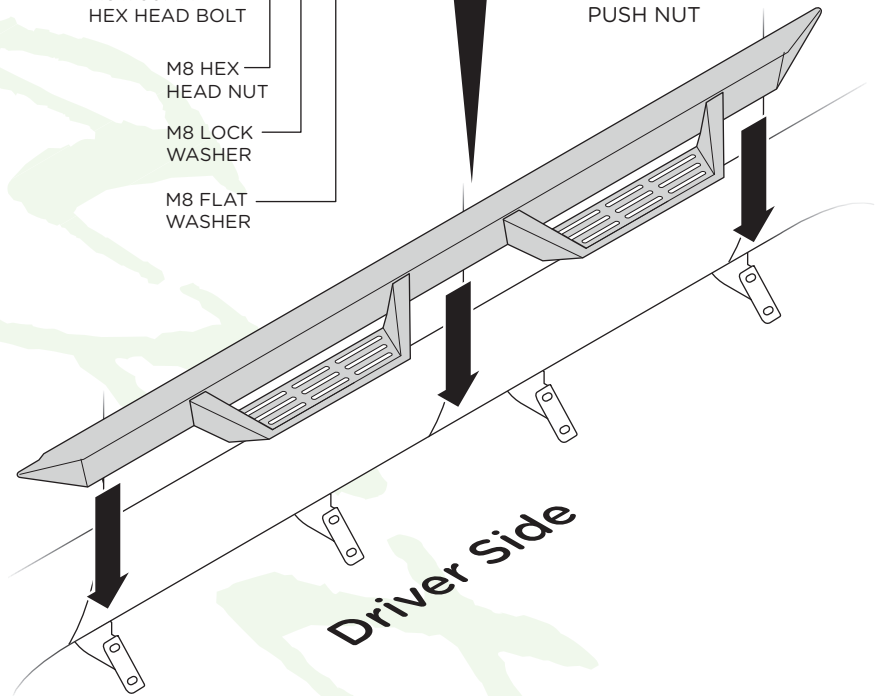
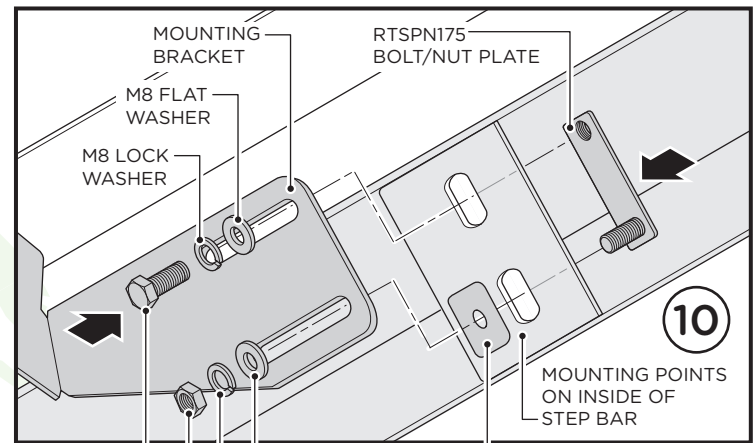
Installing the Step Bar

9. Line up mounting points on the step bar with the mounting holes in each bracket.

10. Fasten the step bar to each bracket using one (1) RTSPN175 Bolt/Nut Plate, one (1) Plastic Push Nut, one (1) M8 Hex Head Nut, two (2) M8 Lock Washers, two (2) M8 Flat Washers and one (1) M8 x 30MM Hex Head Bolt.

11. Adjust the bars front/back and up/down to desired placement. Once you have the step positioned, tighten until the split lock washer is flat between the bolt head and flat washer. Do not over tighten.

12. When all hardware is in place, everything must be tightened. See page 1 for torque specifications. Repeat these steps for opposite side installation.



OPTIONAL:

If you wish to install the Front Armor Plates, begin by thoroughly cleaning the front side of the front step where the Front Armor Plate will attach.

1. Remove adhesive protection from the Front Armor Plate.

2. Carefully line up with the front side of the front step. Be careful not to let the side overhang as they could peel off over time.

Once lined up, firmly press the Front Armor Plate on the step to ensure complete adhesion.

Repeat these steps for opposite side.

