

Heavy Duty Rear Bumper 07-15 Jeep JK

2007-2015 Jeep Wrangler

RBM13JPN

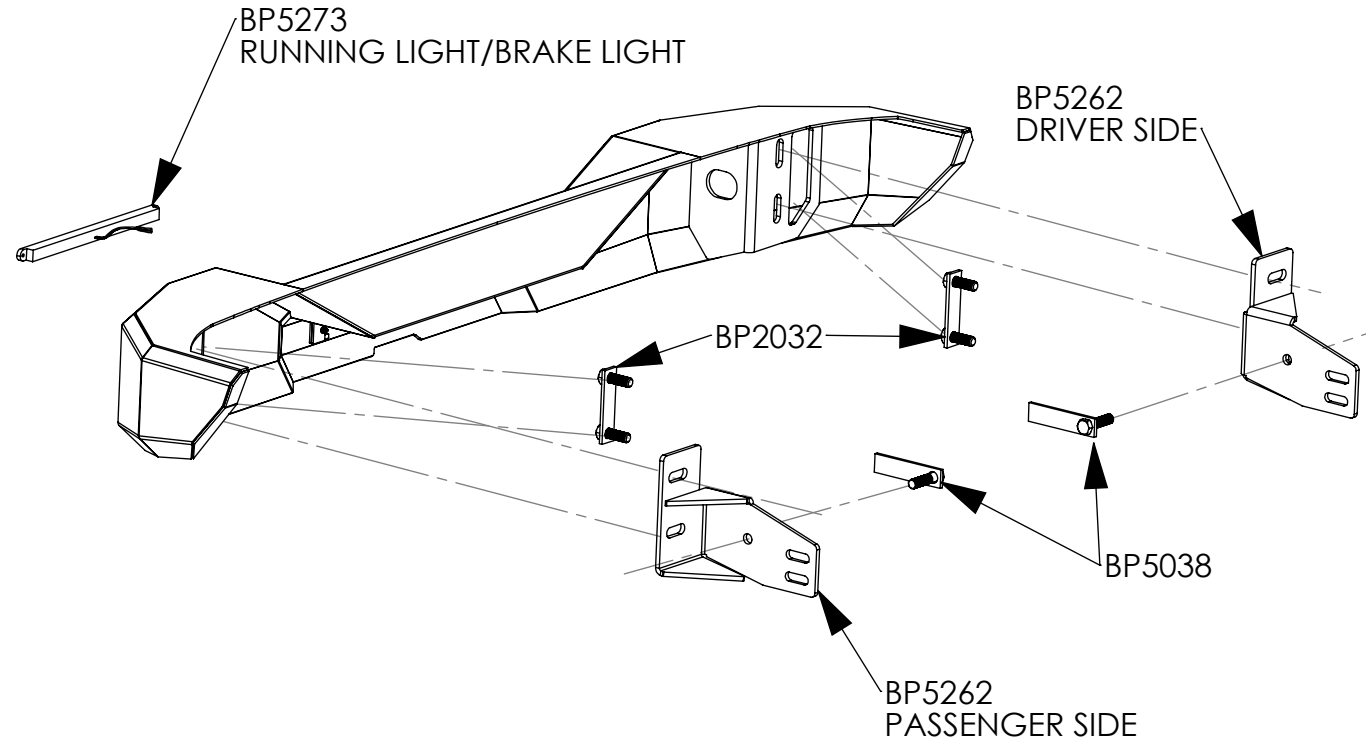
6/18/15

Hardware Kit Includes:

- (1) 6 – Hex head Nuts (1/2"-13") Grade 8
- (2) 6 – Lock washers (1/2") Grade 8
- (3) 6 – Flat washers (1/2") Grade 8
- (5) 2 – Allen head bolt (M3-.5x20mm)
- (6) 2 – Serrated Flanged Nut (M3-.5)

Components List:

- 1 – 1-Heavy Duty Bumper (RBM13JPN)
- 2 – 2-Mounting brackets (BP5062)
- 3 – 1-LED Brake/Running light (BP5273)
- 4 – 2-Double T-bolts (BP2032)
- 5 – 2-Single T-Bolts (BP5038)



**LOOSE FIT ALL COMPONENTS.
DO NOT TIGHTEN UNTIL ALL
COMPONENTS ARE INSTALLED
AND ADJUSTED.**



ATTN: STATE OF CALIFORNIA CONSUMERS
WARNING: CANCER AND REPRODUCTIVE HARM
-WWW.P65WARNINGS.CA.GOV



Visit the ICI Website for other exciting accessories for your vehicle. www.icionline.com



RBM13JPN – 2007-2015 JEEP WRANGLER REAR BUMPER INSTALLATION INSTRUCTIONS

1. Disconnect negative battery terminal.
2. Remove spare tire.
3. Remove (2) outside frame bolts holding the rear bumper brackets to the vehicle. There are (2) per side. Set aside to re-use for Magnum bumper installation.
4. Remove (2) bolts holding the stock bumper to the rear cross member. Access the bolts from underneath the rear of the vehicle in between the frame rails.
5. Remove remaining (2) bolts holding rear bumper to rear cross member brackets.
6. Pull straight back on rear bumper to remove from vehicle.
7. Remove factory tow hook from driver side frame rail.



8. Install Magnum bumper outside frame brackets (BP5262) using (2) outside factory frame bolts and provided T-Bolts (BP5038). Do not fully tighten yet.



**RBM13JPN – 2007-2015 JEEP WRANGLER REAR BUMPER
INSTALLATION INSTRUCTIONS**

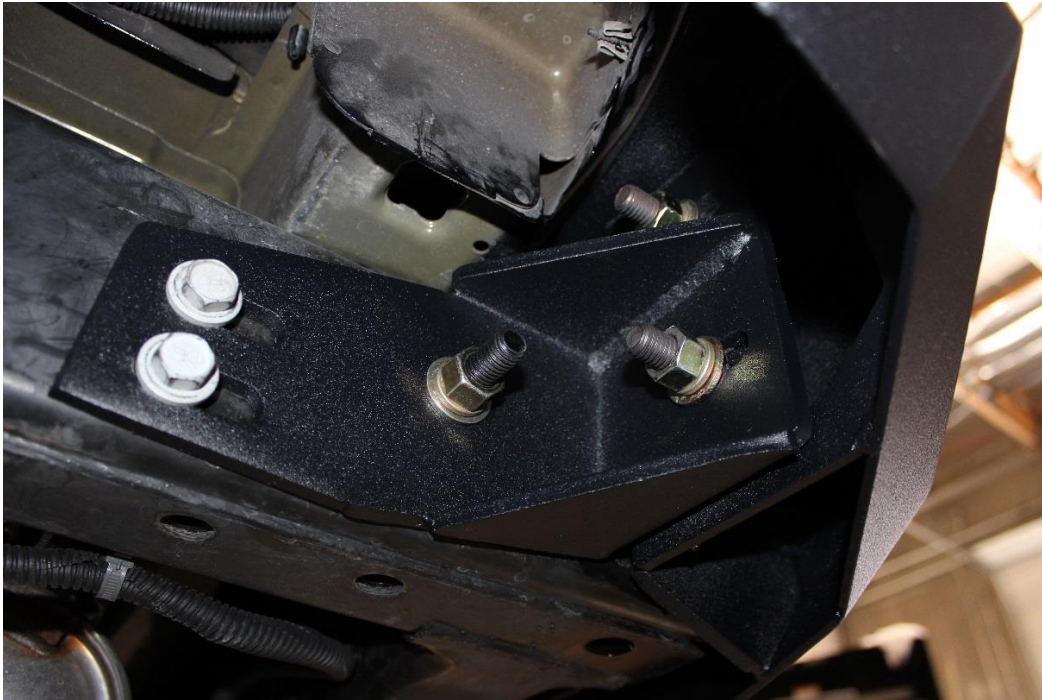


RBM13JPN – 2007-2015 JEEP WRANGLER REAR BUMPER INSTALLATION INSTRUCTIONS

9. Install provided double T-Bolts (BP2032) into Magnum bumper with provided push nuts.



10. With help, line up double T-Bolts with outside brackets on vehicle. Use provided ½" hardware to secure bumper to brackets, do not fully tighten.



RBM13JPN – 2007-2015 JEEP WRANGLER REAR BUMPER INSTALLATION INSTRUCTIONS

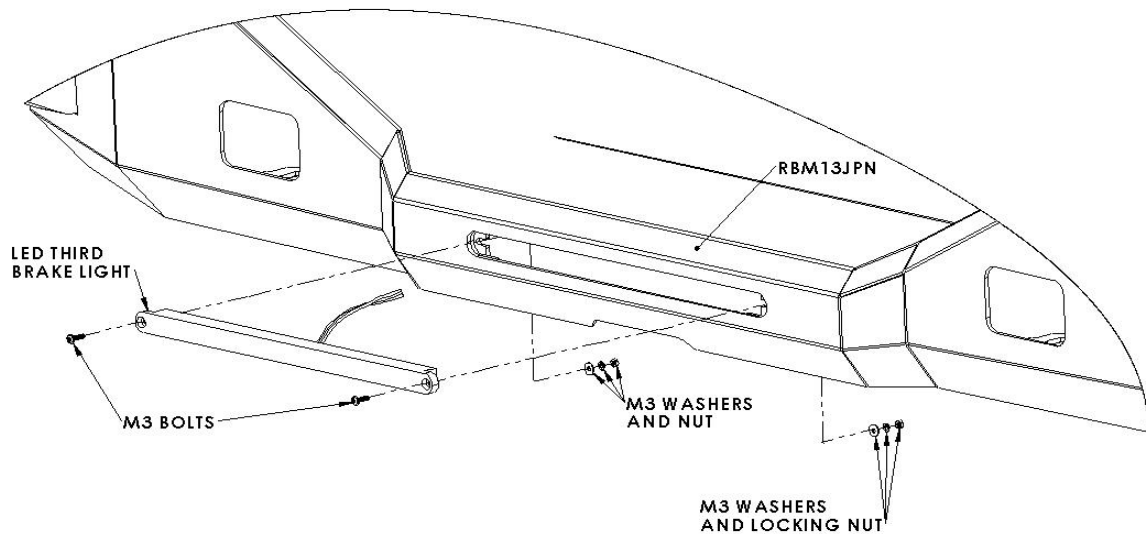
11. With the bumper attached, align and tighten outside brackets and bumper to outside brackets.
It is recommended to leave 3/16" space between the bumper and body of vehicle so they do not come in contact in off-road conditions.
12. Reinstall spare tire and reconnect negative battery terminal.



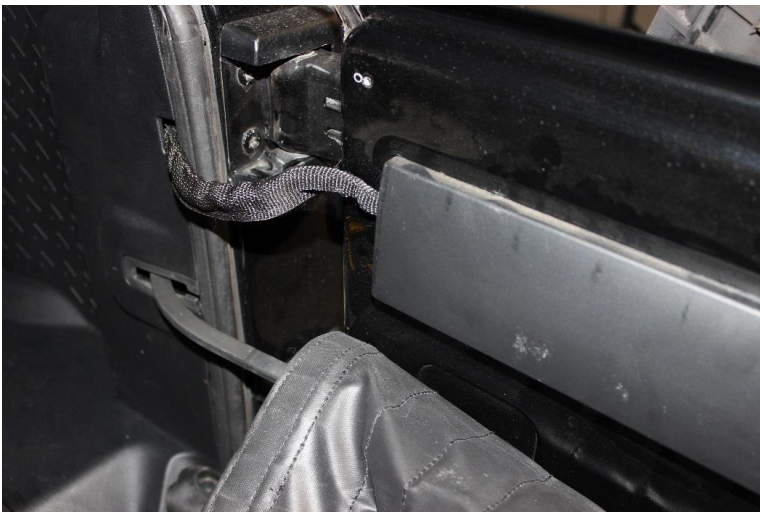
(Bumper is shown with optional back up light cut outs, they must be special ordered.)

RBM13JPN - 2007-2015 JEEP WRANGLER THIRD BRAKE LIGHT INSTALLATION INSTRUCTIONS

1. Install LED light into rear bumper using provided hardware.



2. Remove rear passenger side tail light by unscrewing two screws closest to the spare tire.
3. Using a test light, determine which wire is for the running lights and mark it.
4. Open tail gate and remove plastic panels on back side of tail gate by gently pulling until the clips release.



RBM13JPN - 2007-2015 JEEP WRANGLER THIRD BRAKE LIGHT INSTALLATION INSTRUCTIONS



5. Remove plastic trim panel in passenger side rear corner of vehicle by gently pulling on the top corner until the clip releases.



RBM13JPN - 2007-2015 JEEP WRANGLER THIRD BRAKE LIGHT INSTALLATION INSTRUCTIONS

- Using a test light, locate the wires for the factory third brake light and determine which is positive and negative, mark them accordingly behind the panel inside the rear passenger side corner. Once marked, replace the two plastic panels on the back of the tail gate.



- Once all (3) wires have been located and marked, disconnect negative battery terminal.
- You will need to route and extend the wires on the LED third brake light to reach the factory wiring. The WHITE and RED wires go from the LED third brake light to the panel in the rear passenger side where the wires for the factory third brake light were located. These wires can be routed between the bumper and body and underneath the weather stripping, be careful it does not get pinched by the tail gate. Quick splice the WHITE wire to the negative from the factory third brake light and the RED wire to the positive from the factory third brake light. The Black wire goes to the driver side rear tail light, quick splice it to the wire for the running lights.



RBM13JPN - 2007-2015 JEEP WRANGLER THIRD BRAKE LIGHT INSTALLATION INSTRUCTIONS

9. Once all wires are connected, snap trim panel back into place and reinstall tail light, be careful no wires are going to get pinched by the tail gate hinge, panel, tail light or anything else.
10. Reconnect negative battery terminal and test the LED third brake light. The light should come on with the headlights and it should shine brighter when the brakes are applied.

