

RTS10FD

Hardware Kit Includes:

- (1) 6 – Hex head nuts (M8-1.25) Grade 8
- (2) 6 – Hex Head Bolts (M8-1.25 x 30mm) Grade 8
- (3) 12 – Lock washers (M8)
- (4) 12 – Flat washers (M8)
- (5) 12 – Hex head bolts (M10 x 1.5 x 30mm) Grade 8
- (6) 12 – Flat Washers (M10)
- (7) 12 – Lock Washers (M10)

Components List:

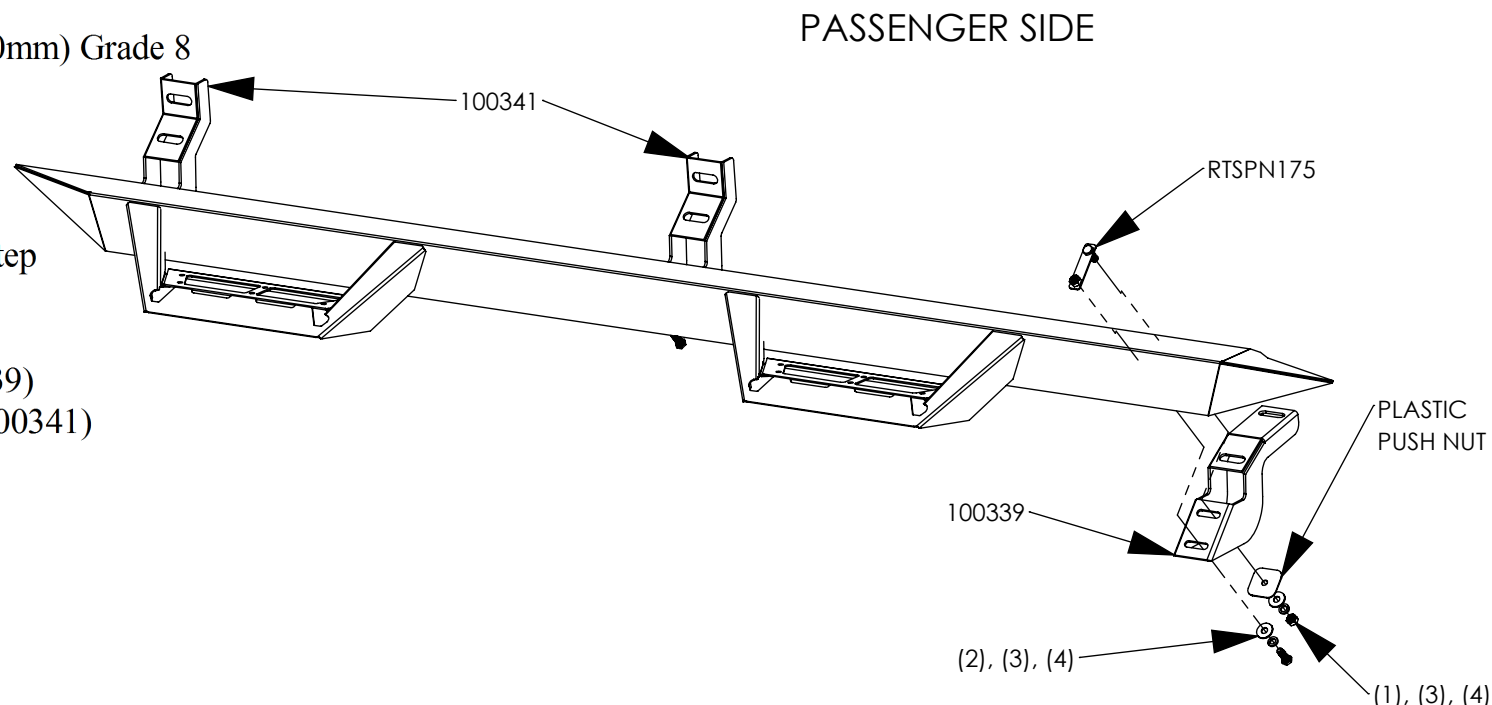
- (1) – Driver and Passenger Side RT Step
- (2) 6 – T-bolt/Nut Plates (RTSPN175)
- (3) 6 – Plastic push nuts (M8)
- (4) 2 – Front Mounting Brackets (100339)
- (5) 4 – Mid/Rear Mounting Brackets (100341)

**LOOSE FIT ALL COMPONENTS.
DO NOT TIGHTEN UNTIL ALL
COMPONENTS ARE INSTALLED
AND ADJUSTED.**

STEP-BY-STEP

1. Remove any side steps and brackets that may be on the vehicle.
2. If no steps are equipped, remove the six plastic plugs from underneath the rocker panel on each side of the truck to reveal the threaded mounting holes.
3. Install the RT step mounting brackets to the underside rocker panel by aligning the bracket with the threaded holes and using the M10 hardware provided. There are 3 mounting points on each side of the vehicle. Leave the brackets slightly loose so you adjust the step later.
4. Once all the mounting brackets are loose fit to the truck, you can prepare the RT step to be installed. Identify the driver side and passenger side RT step, the front of the RT step has a downward bend signifying the front of the step. Insert an RTSPN175 t-bolt/nut plate into the RT step so the threaded bolt is protruding through the slots in the step. Thread on a square plastic push nut onto the threaded t-bolt so it won't fall out of the RT step. Do this at each of the 3 sets of slots in the RT step.
5. Once the t-bolt/nut plates are installed in the RT step, the RT step can be attached to the brackets on the truck. With help, lift the RT step up to the brackets and align the t-bolt with the slots in the mounting brackets. Attach the RT step using the provided M8-1.25 hardware. Do not fully tighten until all the mounting hardware has been installed.
6. Once all the mounting hardware has been installed align the RT step up/down and front/back, have someone hold the step in position as the hardware is tightened. Tighten the mounting brackets to the truck, then tighten the RT step to the brackets.

2019 Ford Ranger Crew Cab Installation Instructions



ATTN: STATE OF CALIFORNIA CONSUMERS
WARNING: CANCER AND REPRODUCTIVE HARM
-WWW.P65WARNINGS.CA.GOV

Visit the ICI Website for other exciting accessories for your vehicle. www.icionline.com