

IMPORTANT: READ BEFORE INSTALLATION

STEP 1: REMOVE FACTORY FENDER FLARES, FENDER TRIM AND MUD FLAPS IF INSTALLED.

STEP 2: VERIFY FIT

(A) FLARES SHOULD BE HELD TO VEHICLE TO VERIFY CORRECT TYPE AND FIT BEFORE INSTALLATION. (NOTE: SANDING THE AREA OF THE PART THAT TRANSITIONS FROM THE FENDER TO THE PLASTIC FILLER PIECE ON THE BUMPER MAY BE REQUIRED DUE TO INCONSISTENCIES IN ALIGNMENT FROM THE VEHICLE MANUFACTURER.)

STEP 3: PAINTING

(IF PAINTING IS DESIRED IT IS RECOMMENDED TO BE DONE PRIOR TO INSTALLATION.)

(IF INSTALLING CAMO SERIES FLARES, OR IF PAINTING IS NOT DESIRED SKIP STEP 3)

PAINTED FLARES CANNOT BE RETURNED. TEST FIT BEFORE PAINTING

(A) SAND (OPTIONAL) BEFORE APPLICATION OF PAINT

(B) CLEAN OUTER SURFACE WITH A WAX & GREASE REMOVER (DO NOT USE LACQUER THINNER OR ENAMEL REDUCER AS A DEGREASER)

(C) WIPE OUTER SURFACE WITH A TACK CLOTH.

(D) PAINT FLARES USING A HIGH QUALITY LACQUER, ENAMEL, OR POLYURETHANE AUTOMOTIVE PAINT.

(APPLICATION OF A PRIMER COAT PRIOR TO PAINTING IS OPTIONAL)

(E) IF PAINTING EDGE TRIM (NOT RECOMMENDED) USE A FLEX ADDITIVE.

STEP 4: EDGE TRIM INSTALLATION

(A) PEEL THREE INCHES OF RED BACKING AWAY FROM EDGE TRIM ADHESIVE AND AFFIX TO OUTER EDGE OF FLARE AT ONE END.

(B) PRESS EDGE TRIM INTO PLACE ALONG EDGE OF FLARE IN ONE-FOOT INCREMENTS, PULLING RED BACKING FREE AS YOU CONTINUE TO WORK YOUR WAY AROUND THE FLARE. (SEE EDGE VIEW)

STEP 5: BOLT INSTALLATION (Only applies to the "Ruff Riderz" style flares, for all others skip to step 6 below)

WARNING: DO NOT OVER TIGHTEN OR USE LOCTITE® ON THE BOLTS AS THIS WILL CAUSE PERMANENT DAMAGE TO THE FLARES. BOLTS ARE DECORATIVE ONLY AND FASTEN ONLY TO THE FLARES. DO NOT ATTEMPT TO USE THE BOLTS TO FASTEN THE FLARES TO THE VEHICLE.

(A) DRILL A 5/16" HOLE IN THROUGH THE DIVITS IN EACH OF THE POCKETS

(B) PLACE A 5/16" BUTTON HEAD SCREW WITH A WASHER INTO EACH OF THE HOLES AND ATTACH TO THE FLARE USING A NUT PLACED ON THE INSIDE. (fig 2)

STEP 6: FLARE INSTALLATION

(A) REMOVE THE EXISTING FACTORY SCREWS THAT ATTACH THE INNER FENDER WELL TO THE FENDER.

(B) RETAIN THE SCREWS FOR INSTALLING THE FLARES

(C) HOLD THE FLARE IN PLACE ON FENDER LINING UP THE HOLES IN THE FLARE TO THE HOLES OF THE VEHICLE.

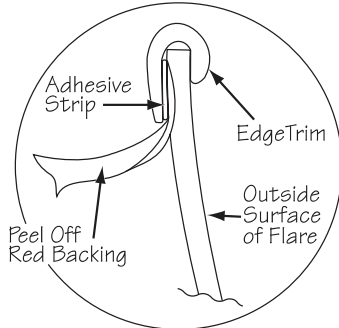
APPLYING MODERATE PRESSURE TO THE OUTSIDE SURFACE OF THE FLARE, ATTACH THE NEW FLARE WITH THE SCREWS YOU REMOVED IN STEP 6A. LOOSEN SCREWS AND RE-ADJUST IF NECESSARY

TOOLS REQUIRED:

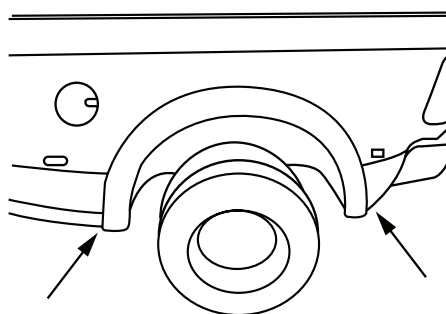
- 8mm SOCKET
- 5/16" DRILL BIT*
- 3/16" HEX WRENCH*
- 1/2" WRENCH*
- DRILL*
- UTILITY KNIFE

* Only applies to the "Ruff Riderz" style flares

Edge View



(fig 3)



(fig 2)

