



A4 ALUMINIUM STEP BARS

Part No. AL4002B



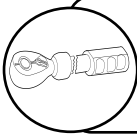
Fits: 2015-2020 CHEVY COLORADO/GMC CANYON CREW CAB



REMOVE CONTENTS FROM BOX. VERIFY ALL PARTS ARE PRESENT.



READ INSTRUCTIONS CAREFULLY BEFORE STARTING INSTALLATION.



DO NOT OVER TORQUE. STANDARD OPERATING LOAD FOR TIGHTENING BODY MOUNT NUTS & BOLTS VARIES FROM 18 TO 20 FOOT POUND FOR M8 HARDWARE



120 mins



Cutting Not Required



Drilling Not Required



support@trailfx.com



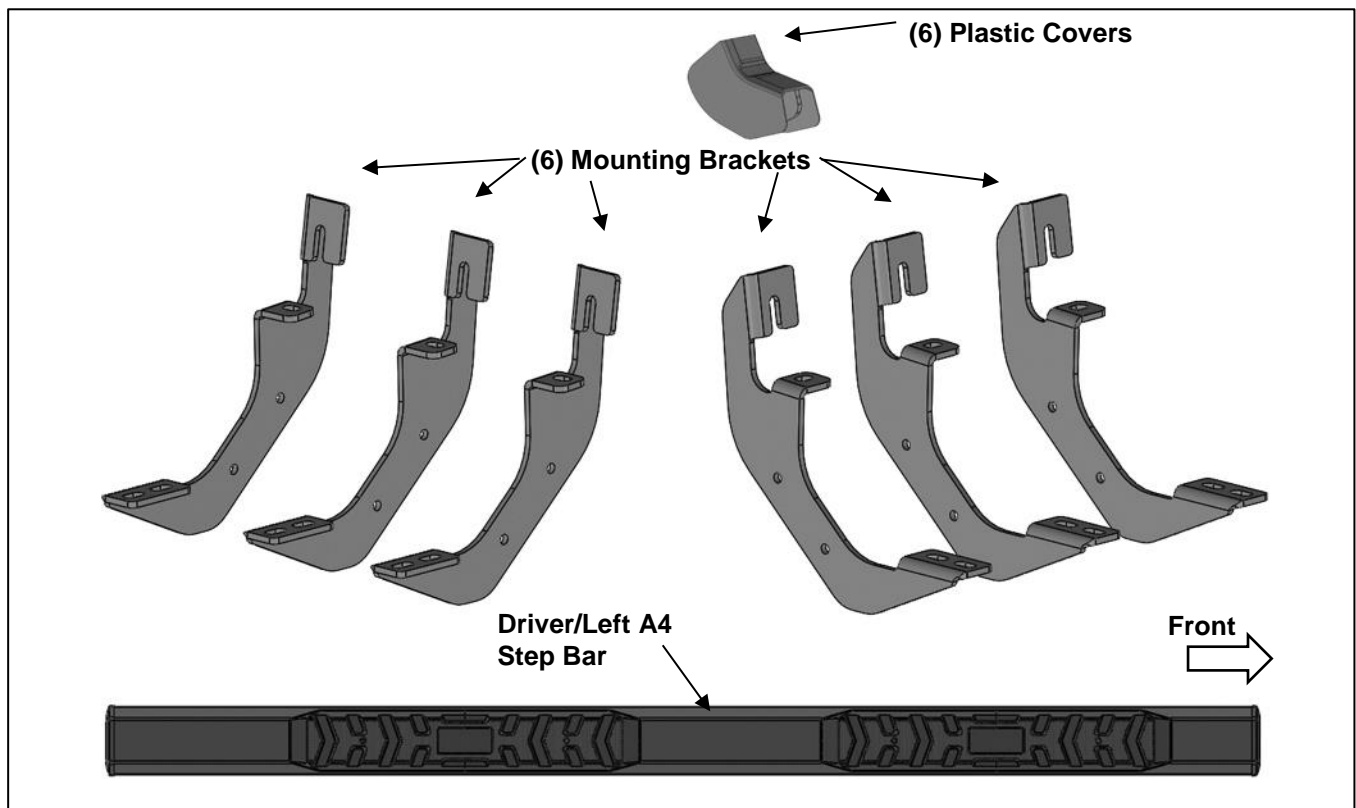
1- (866) 638 - 4870



POWDER COATED BLACK - LIMITED LIFETIME

PARTS LIST:

Qty	Part Description	Qty	Part Description
1	Driver/Left A4 Step Bar	12	8mm x 20mm T-Bolts
1	Passenger/Right A4 Step Bar	24	8mm x 24mm OD x 2mm Flat Washers
6	Mounting Brackets	24	8mm Lock Washers
6	Plastic Covers	12	8mm Hex Nuts
12	Plastic Clips	12	8mm Clip Nuts
12	8mm x 25mm Hex Bolts		
REPLACEMENT PARTS LIST (NOT INCLUDED IN BOX)			
1	Step Pad Pack (Includes clips) - G9029	1	End Caps Pack - G9030
1	Bracket Cover Pack - G9031		



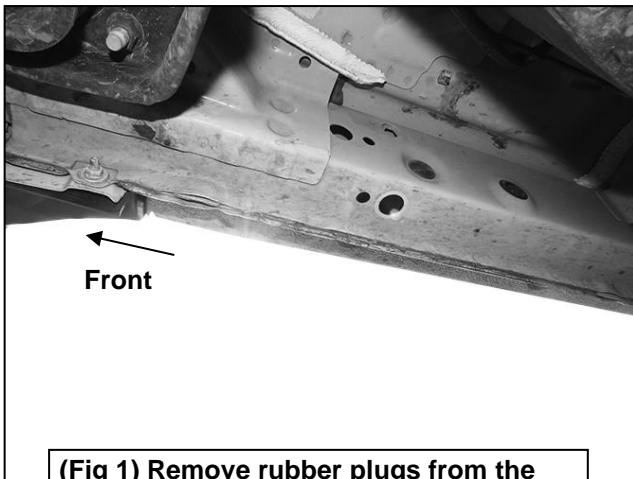
PROCEDURE:

REMOVE CONTENTS FROM BOX. VERIFY ALL PARTS ARE PRESENT. READ INSTRUCTIONS CAREFULLY BEFORE STARTING INSTALLATION. ASSISTANCE IS RECOMMENDED.

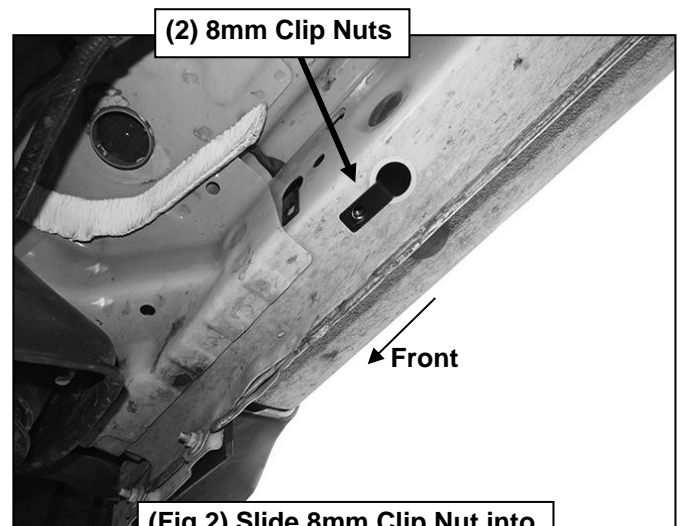
1. Start the installation under the Passenger/Right side of the vehicle. Locate the front mounting location along the bottom and inner side of the body panel, **(Figure 1)**. Installation will use the 1st, 2nd and 4th mounting locations. **NOTE:** It may help to hold a Bracket up in place to help determine the mounting holes to use along the bottom and inner side of the body.
2. Remove rubber plugs from the front location. Select (2) 8mm Clip Nuts. Slide each Clip Nut into the large hole and over the smaller hole next to it. Line up threaded nut on the Clip Nut with smaller hole in body panel, **(Figure 2)**.
3. Select (1) Mounting Bracket. Attach the Bracket to the (2) Clip Nuts in the vehicle with (2) 8mm Hex Bolts, (2) 8mm Lock Washers and (2) 8mm Flat Washers, **(Figure 3)**. Do not tighten hardware.
4. Select (1) Plastic Cover. Attach the Cover to the Mounting Bracket with (2) Plastic Clips, **(Figure 4)**.
5. Repeat **Steps 1—4** to attach the remaining (2) Mounting Brackets to the center and rear locations, **(Figures 5 & 6)**. Do not tighten hardware.
6. Select (1) A4 Step Bar. Insert (6) T-Bolts into the channels in the bottom of the Sidebar, (3) per channel, **(Figure 7)**. Attach the Sidebar to the Mounting Brackets with (6) 8mm Flat Washers, (6) 8mm Lock Washers and (6) 8mm Hex Nuts, **(Figure 8)**. Do not tighten hardware.
7. Repeat **Steps 1—6** to attach (1) A4 Step Bar to the Driver/Left side.
8. Do periodic inspections to the installation to make sure that all hardware is secure and tight.

To protect your investment, Do not use any type of polish or wax that may contain abrasives that could damage the finish. Mild soap may be used to clean the Sidebars.

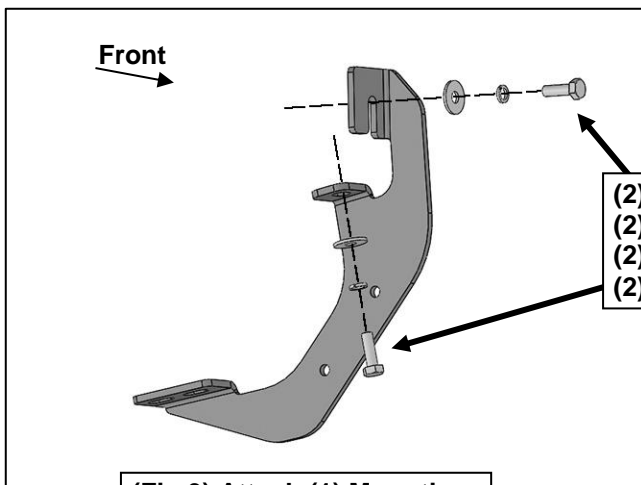
Passenger/Right Side Installation Pictured



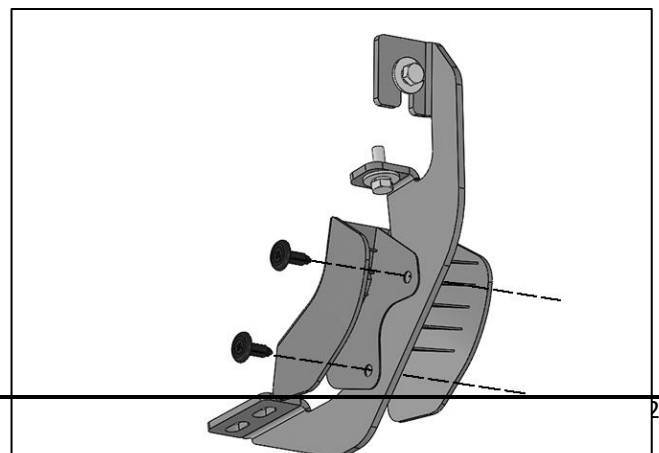
(Fig 1) Remove rubber plugs from the Passenger/Right front mounting location



(Fig 2) Slide 8mm Clip Nut into large hole and over small hole



(Fig 3) Attach (1) Mounting Bracket to the Clip Nuts



(Fig 4) Attach (1) Plastic Cover to the Mounting Bracket to with (2) Plastic Clips

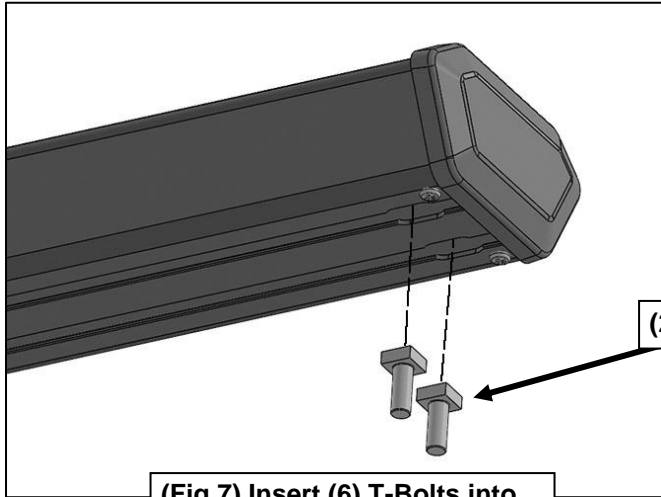
Passenger/Right Side Installation Pictured



(Fig 5) Remove rubber plugs from the Passenger/Right center mounting location

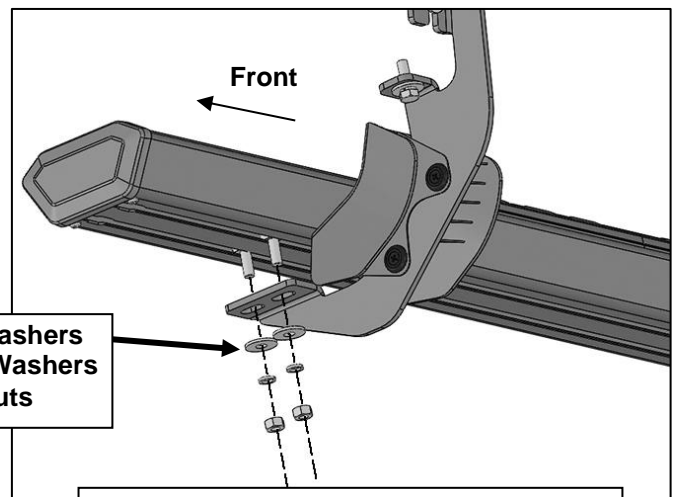


(Fig 6) Remove rubber plugs from the Passenger/Right rear mounting location



(2) 8mm T-Bolts

(Fig 7) Insert (6) T-Bolts into the channels in the bottom of the Sidebar, (3) per channel



**(2) 8mm Flat Washers
(2) 8mm Lock Washers
(2) 8mm Hex Nuts**

(Fig 8) Attach the Passenger/Right Tyger Lander to the Rear Mounting Bracket

PRODUCT CARE

- Periodically check the product to ensure all fasteners are tight and components are intact.
- For cleaning, use mild soap and warm water with a soft cloth or brush to prevent scratching.

FAQ's**1. Hardware and mounting brackets are not aligning properly**

Ensure that hardware is being used on the correct side of the vehicle. In some cases, the hardware may appear same for driver or passenger side but may alter the alignment of mounting location. Check mounting brackets for both sides.

2. Step Bar is not aligning with vehicle / doors

Step bars may be interchanged or reversed (Driver / Passenger Side). Check step bar for each side as well ensure the proper hardware has been used for each side.

3. Products are thumping / rattling after installation.

Ensure that all required mounting brackets / hardware's are installed & tighten correctly. Suggest using white lithium / regular grease between metal to metal contact.

4. Missing / Excess Hardware.

Recheck hardware count as per the part list.

5. Product not installing properly.

Ensure the Year / Make / Model as well as cab and bed dimensions are correct for the application. Review all steps for installation to ensure they were followed correctly.

6. Who should be contacted for questions regarding product / installation assistance?

www.trailfx.com / support@trailfx.com 1-(866) 638-4870

Check out these other TrailFX Products!www.trailfx.com**HOOD PROTECTOR****FENDER FLARES****TONNEAU COVER****BED LINERS**

Keystone Automotive Operations Inc. (KAO) warrants this product to be free of defects in material and workmanship at the time of purchase by the original retail consumer. KAO disclaims any other warranties, express or implied, including the warranty of fitness for a particular purpose or an intended use. If the product is found to be defective, KAO may replace or repair the product at our option, when the product is returned prepaid, with proof of purchase. Alteration to, improper installation, or misuse of this product voids the warranty. KAO's liability is limited to repair or replacement of products found to be defective, and specifically excludes liability for any incidental or consequential loss or damage.