



# A4 ALUMINIUM STEP BAR

Part No. AL4003B



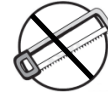
**Fits: 2007-2018 1500 SILVERADO/SIERRA EXTRA/DOUBLE CAB  
2007-2019 2500-3500 SILVERADO/SIERRA EXTRA/DOUBLE  
CAB(INCLUDES DIESEL W/DEF)**



**INCLUDING 2019 SILVERADO 1500 LD & 2019 SIERRA  
1500 LIMITED**



120 mins



Cutting Not  
Required



Drilling Not  
Required



REMOVE CONTENTS FROM BOX. VERIFY ALL PARTS ARE PRESENT.



READ INSTRUCTIONS CAREFULLY BEFORE STARTING INSTALLATION.



support@trailfx.com



DO NOT OVER TORQUE. STANDARD OPERATING LOAD FOR  
TIGHTENING BODY MOUNT NUTS & BOLTS VARIES FROM 18 TO 20  
FOOT POUND FOR M8 HARDWARE.



1- (866) 638 - 4870



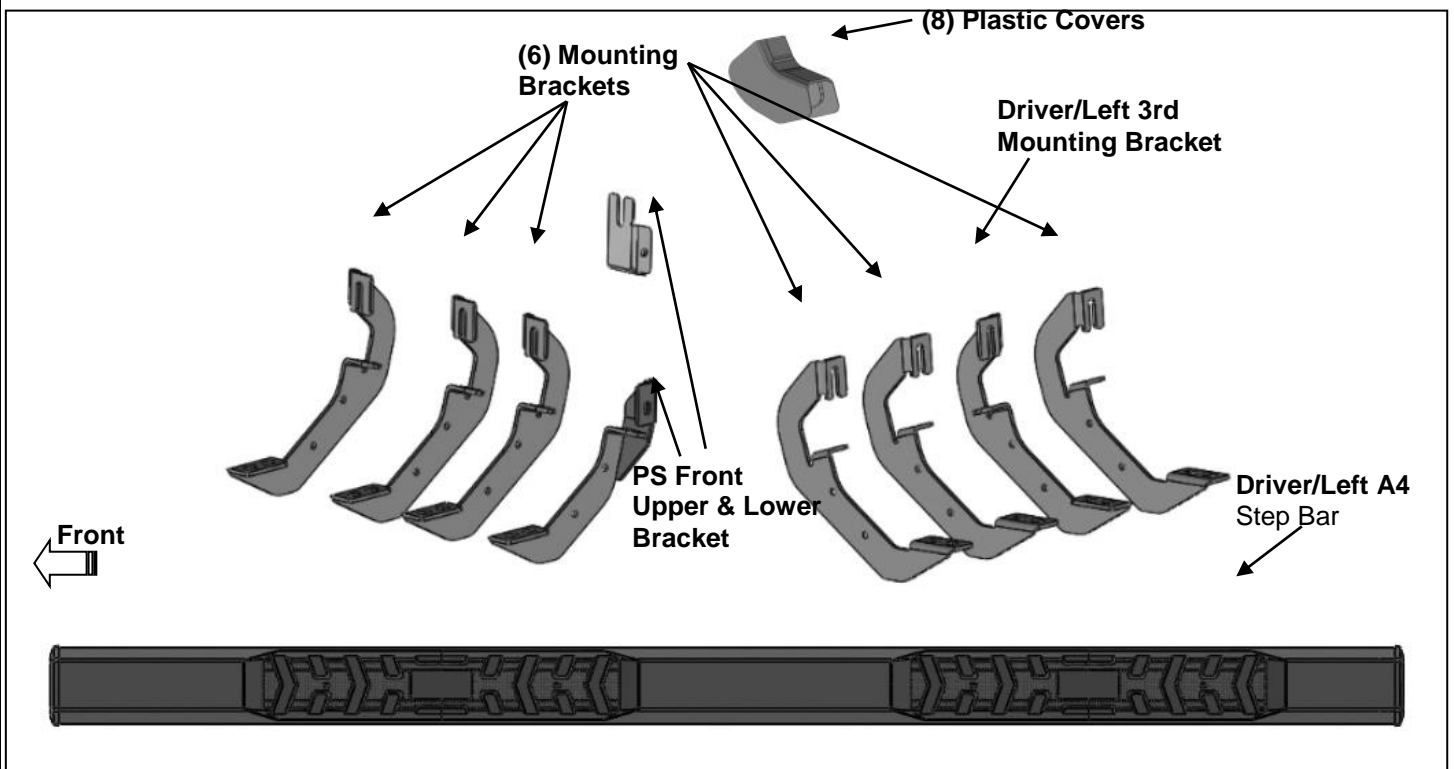
POWDER COATED BLACK - LIMITED LIFETIME

**PARTS LIST:**

Qty	Part Description	Qty	Part Description
1	Driver/Left A4 Step Bar	1	8mm Bolt Plate
1	Passenger/Right A4 Step Bar	17	8mm x 25mm Hex Bolts
6	Mounting Brackets	16	8mm x 20mm T-Bolts
1	Driver/Left 3rd Mounting Bracket	33	8mm x 24mm OD x 2mm Flat Washers
1	Passenger/Right Upper Mounting Bracket	33	8mm Lock Washers
1	Passenger/Right Lower Mounting Bracket	16	8mm Hex Nuts
8	Plastic Covers	15	8mm Clip Nuts
16	Plastic Clips	1	8mm Nylon Lock Nut

**REPLACEMENT PARTS LIST (NOT INCLUDED IN BOX)**

1	Step Pad Pack (Includes clips) - G9029	1	End Caps Pack - G9030
1	Bracket Cover Pack - G9031		



**PROCEDURE: REMOVE CONTENTS FROM BOX. VERIFY ALL PARTS ARE PRESENT. READ INSTRUCTIONS CAREFULLY BEFORE STARTING INSTALLATION. ON MODELS WITH DEF TANK, SELECT A FLAT, LEVEL AREA FOR INSTALLATION. MAY REQUIRE CUTTING.**

1. Start the installation under the Driver/Left side of the vehicle. Locate the 4 tabs along the bottom edge of the body, (pinch weld). Mounting will use the 1st, 2nd and 4th tab locations, **(Figure 1)**. Directly above each tab is a top mounting location on the side of the body panel. Hold a Bracket up in place to help determine the mounting holes to use along the body.
2. Determine the correct procedure for your model year and each Bracket location.

**Bottom mounting location on the edge of the pinch weld.**

**Flat tab on pinch weld with factory installed weld nut:**

Thread hex bolt into weld nut from the backside-down to clear paint from threads, **(Figure 2)**.

**Flat tab on pinch weld with hole:**

Select (1) 8mm Clip Nut. Slide the Clip Nut over the tab with the nut facing up behind the tab, **(Figure 3)**. Line up threaded nut with hole in the tab.

**Locate top mounting location on the back side of the rocker panel.**

**Models with factory installed threaded insert in rocker panel:**

Thread 8mm Hex Bolt into threaded insert to clear paint as required.

**Large and small hole in side of rocker panel:**

Remove the rubber plug from the larger hole. Select (1) 8mm Clip Nut. Slide the Clip Nut into the larger hole. Line up the threaded nut with the smaller hole, **(Figure 3)**.

3. Select (1) Driver/Passenger Mounting Bracket. Bolt the Mounting Bracket to the Clip Nuts and/or the factory threaded holes with (2) 8mm Hex Bolts, (2) 8mm Lock Washers and (2) 8mm Flat Washers, **(Figure 4)**. Do not tighten hardware.
4. Select (1) Plastic Cover. Attach the Cover to the Mounting Bracket with (2) Plastic Clips, **(Figure 5)**.
5. Repeat **Steps 1—4** to attach (3) Mounting Brackets to the remaining (3) Driver/Left Locations, **(Figures 6 & 7)**. **NOTE:** The Driver/Left 3rd Mounting Bracket is unique from the other Mounting Brackets.
6. Select the Driver/Left SE5 Sidebar. Insert (8) T-Bolts into the channels in the bottom of the Sidebar, (3) per channel, **(Figure 8)**. Attach the Driver/Left SE5 Sidebar to the Mounting Brackets with (8) 8mm Flat Washers, (8) 8mm Lock Washers and (8) 8mm Hex Nuts, **(Figure 9)**. Do not tighten hardware.
7. Level and adjust the Sidebar and fully tighten all hardware.
8. Move to the Passenger/Right side of the vehicle. On the Passenger/Right side, determine if the vehicle is equipped with a plastic diesel exhaust fluid (DEF) tank, **(Figures 10 & 11)**.

**Models without DEF tank, skip to Step 9.**

**Models with DEF tank:** The tank sits close to the side of the body. With specialized tools, the passenger front upper and lower Bracket can be installed but room is very limited.

**Determine model year of vehicle before proceeding.**

**Up to 2016 models:**

It may be easier to drop the tank down to access the inner side of the body panel for upper bracket installation. Tank will not need to be removed, only dropped down for access to mounting location.

**IMPORTANT:** If tank is full, it will be very heavy and assistance is highly recommended to avoid injury or damage to the vehicle or the tank. It is recommended that installation is performed when the DEF tank is low on fluid before dropping the tank.

- a. On models with plastic lower tray under the tank, remove the (3) hex bolts attaching the tray to the frame, **(Figure 10)**, and remove the tray.
- b. Release the tank filler hose. Release the plug for the sending unit on the top of the tank.
- c. Support the tank with a floor jack. Place a smooth flat surface, (wooden block for example), between the floor jack and the tank to avoid damaging the plastic tank. Do not push up on the tank; only support the weight of the tank with the jack.
- d. Remove the (2) bolts securing the tank straps to the vehicle, **(Figure 11)**. Tilt the straps to release from the brackets. Slowly lower the tank until the top of the tank is almost visible. Use blocks or stands to support the tank while installing the front Upper and Lower Brackets.
- e. Proceed to **Step 9**.

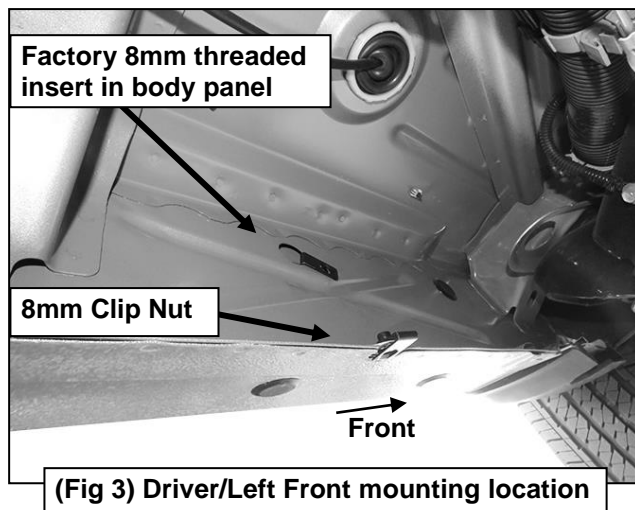
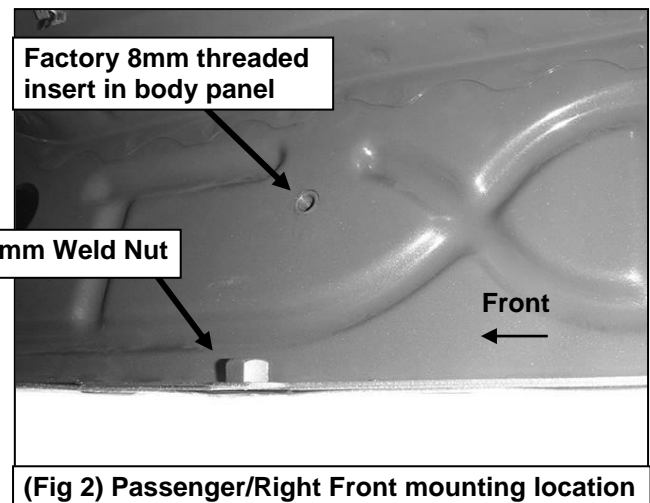
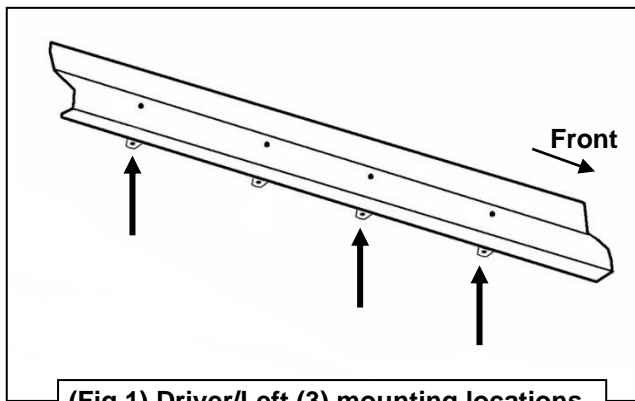
**2017 models and on:**

- a. Remove the (4) hex bolts attaching plastic cover to DEF tank, **(Figure 12A)** and remove plastic cover, **(Figure 12B)**. **NOTE:** On 2017-on 2500/3500 models, only remove plastic cover from DEF tank. **Do not lower DEF tank** and proceed to **Step 9**.
9. Locate the first tab on the edge of the pinch weld, **(Figure 13)**. Select the Upper Bracket. Attach the Upper Bracket with (1) 8mm Hex Bolt, (1) 8mm Lock Washer and (1) 8mm Flat Washer, **(Figure 14)**. Do not tighten hardware at this time.
10. Line up the hole in the bottom of the Upper Bracket with the hole in the tab on the pinch weld.
  - a. **Models with a weld-nut:** Slide the Bracket over the weld-nut. Attach the Lower Bracket to the bottom of the body and weld-nut with (1) 8mm x 40mm Hex Bolt, (1) 8mm x 24mm Flat Washer, (1) 8mm x 28mm Flat Washer and (1) 8mm Nylon Lock Nut, **(Figure 17)**. Do not tighten hardware.

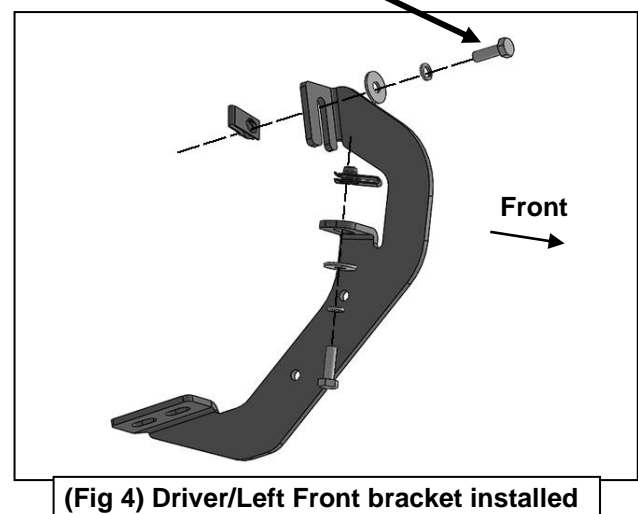
- b. **Models with flat tab and hole:** Insert the 8mm Bolt Plate down through the hole in the Upper Bracket and tab. Attach the Lower Bracket to the bottom of the body and Bolt Plate with (1) 8mm Flat Washer and (1) 8mm Nylon Lock Nut, (**Figures 15 & 16**). Do not tighten hardware.
11. Repeat **Steps 1—4** to attach the (2) remaining Passenger/Right Mounting Brackets.
- a. **2017-on DEF tank models:** Locate the 2nd tab bracket location along the bottom edge of the body, (pinch weld), (**Figure 13**). Hold the DEF cover in place and mark the location onto the cover, (**Figures 18A & 18B**). Use a sharp knife or hacksaw blade to carefully cut a slot in the plastic cover to clear the 2nd Bracket. Remove as little plastic as possible.
12. Repeat **Steps 5—8** to attach the Passenger/Right Running Board.
13. Once the Running Board has been installed and all hardware fully tightened, reinstall the DEF tank and cover, if equipped, as described in **Step 8**.
14. Do periodic inspections to the installation to make sure that all hardware is secure and tight.

**To protect your investment,** Do not use any type of polish or wax that may contain abrasives that could damage the finish. Mild soap may be used also to clean the Sidebars.

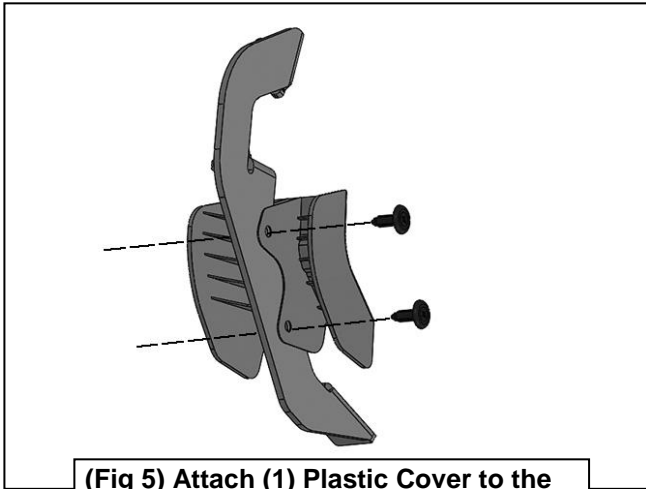
### Driver/Left Side Installation Pictured



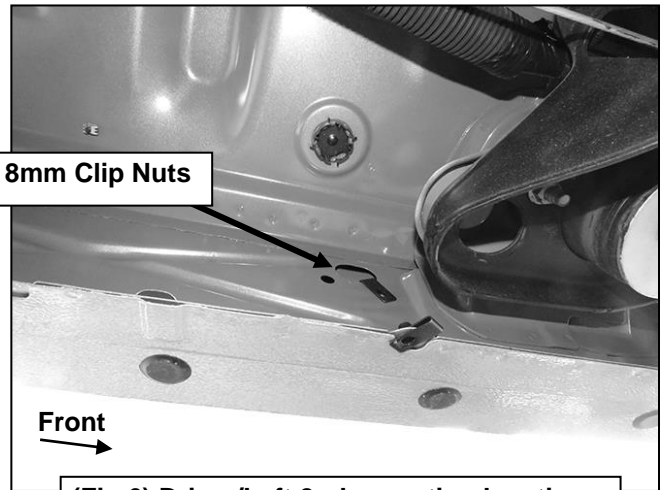
- (2) 8mm x 25mm Hex Bolts
- (2) 8mm Lock Washers
- (2) 8mm Flat Washers
- (2) 8mm Clip Nuts



### Driver/Left Side Installation Pictured



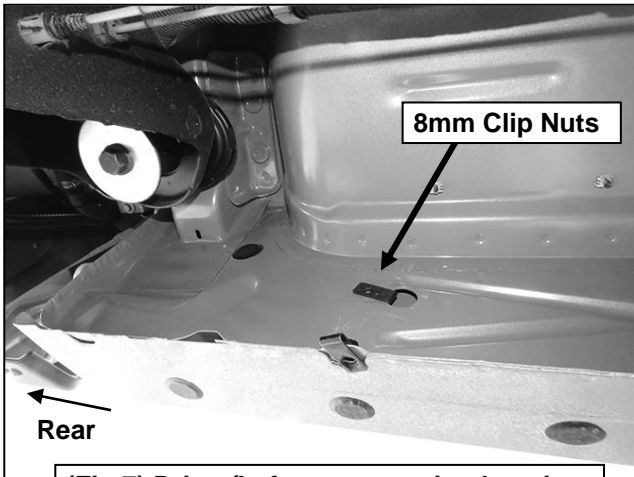
**(Fig 5) Attach (1) Plastic Cover to the Mounting Bracket with (2) Plastic Clips**



**8mm Clip Nuts**

**Front**

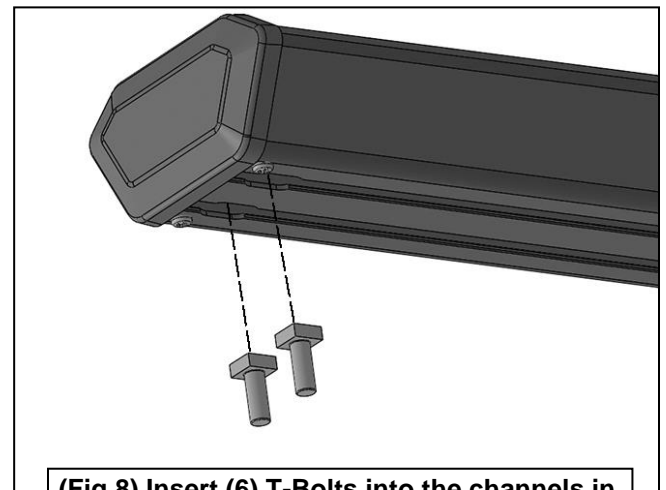
**(Fig 6) Driver/Left 2nd mounting location**



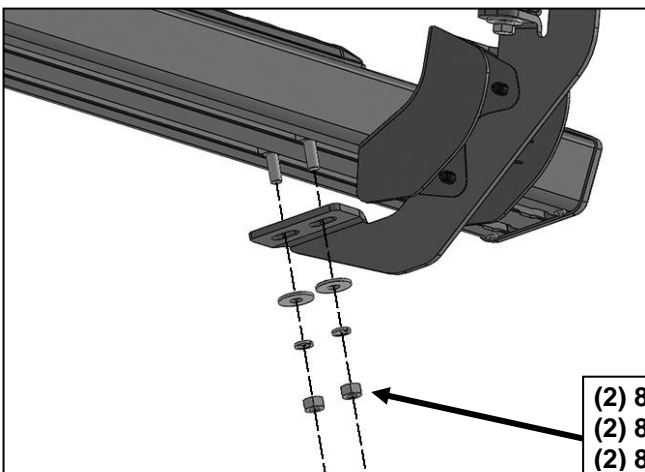
**8mm Clip Nuts**

**Rear**

**(Fig 7) Driver/Left rear mounting location**



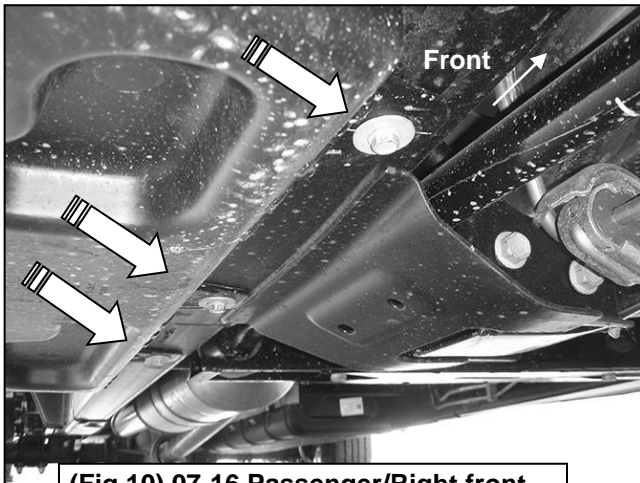
**(Fig 8) Insert (6) T-Bolts into the channels in the bottom of the Sidebar, (3) per channel**



**(2) 8mm Flat Washers  
(2) 8mm Lock Washers  
(2) 8mm Hex Nuts**

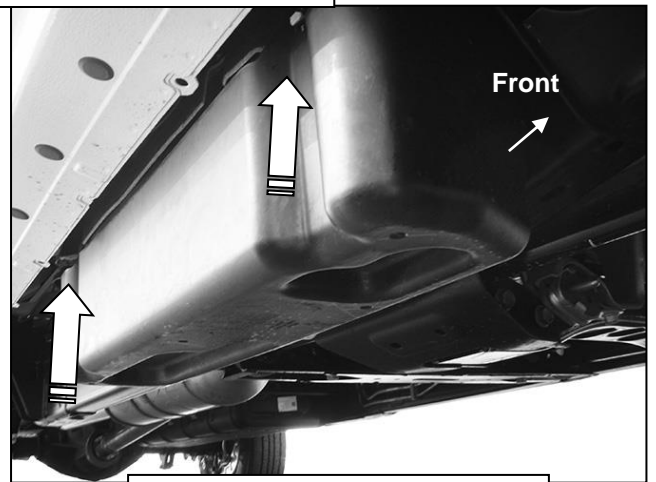
**(Fig 9) Attach the Driver/Left SE5 Sidebar to the Mounting Brackets**

### Passenger/Right Side Installation Pictured

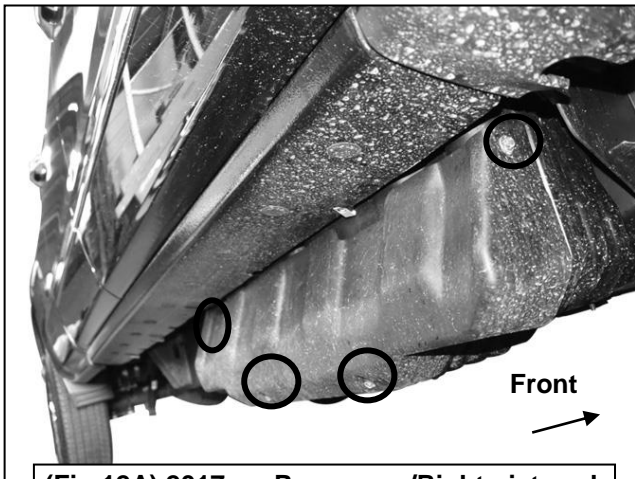


(Fig 10) 07-16 Passenger/Right front pictured with DEF tank cover. Remove (3) hex bolts to remove cover

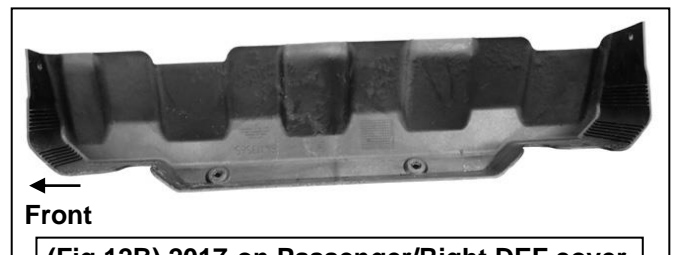
Remove (2) factory bolts to remove tank straps



(Fig 11) 07-16 Passenger/Right DEF tank and cover

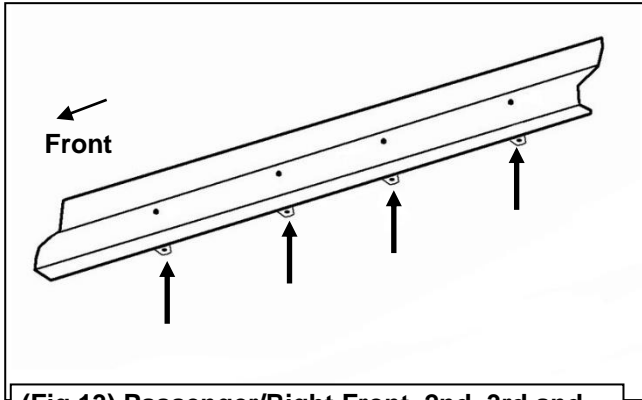


(Fig 12A) 2017-on Passenger/Right pictured with DEF plastic tank cover. Remove (4) hex bolts to remove plastic cover



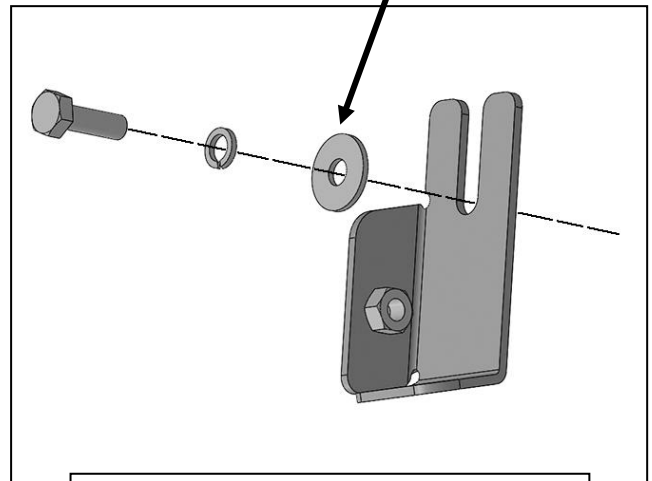
(Fig 12B) 2017-on Passenger/Right DEF cover

### Passenger/Right side Installation Pictured



(Fig 13) Passenger/Right Front, 2nd, 3rd and Rear bracket location from back of body panel

8mm x 25mm Hex Bolt  
8mm Lock Washer  
8mm Flat Washer  
8mm Clip Nut

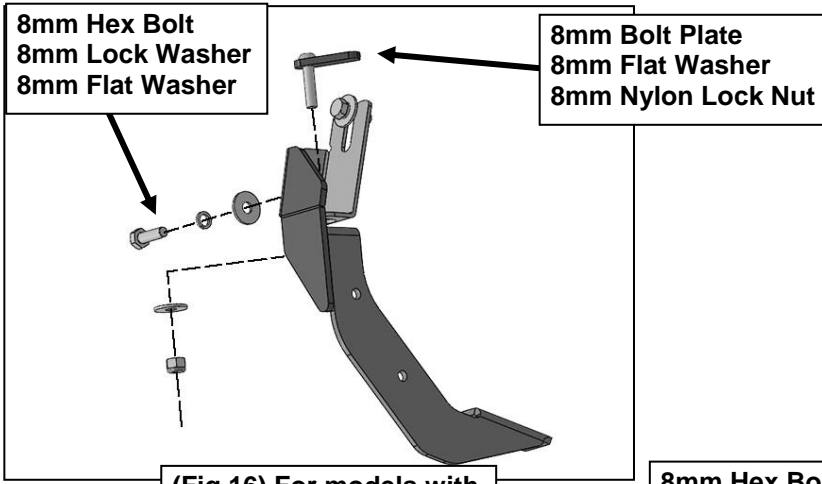


(Fig 14) Slide Upper Bracket over weld nut if equipped-also see Figure 2

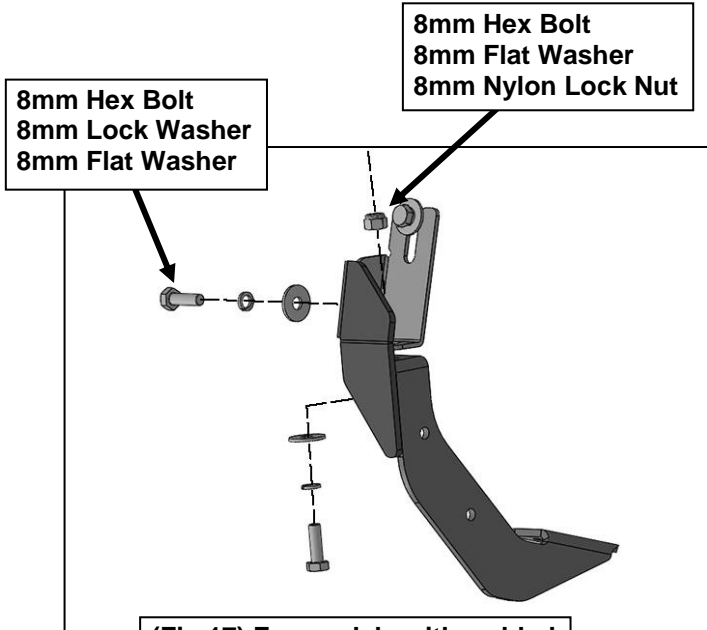


(Fig 15) 8mm x 35mm Bolt Plate

### Passenger/Right side Installation Pictured



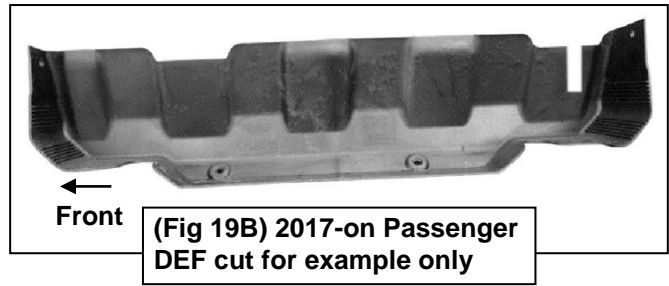
(Fig 16) For models with a hole in the pinch weld



(Fig 17) For models with welded nut in the pinch weld



(Fig 18A) 2017-on DEF tank Mark for cut is approximately 70mm x 10mm



**PRODUCT CARE**

- Periodically check the product to ensure all fasteners are tight and components are intact.
- For cleaning, use mild soap and warm water with a soft cloth or brush to prevent scratching.

**FAQ's****1. Hardware and mounting brackets are not aligning properly**

*Ensure that hardware is being used on the correct side of the vehicle. In some cases, the hardware may appear same for driver or passenger side but may alter the alignment of mounting location. Check mounting brackets for both sides.*

**2. Step Bar is not aligning with vehicle / doors**

*Step bars may be interchanged or reversed (Driver / Passenger Side). Check step bar for each side as well ensure the proper hardware has been used for each side.*

**3. Products are thumping / rattling after installation.**

*Ensure that all required mounting brackets / hardware's are installed & tighten correctly. Suggest using white lithium / regular grease between metal to metal contact.*

**4. Missing / Excess Hardware.**

*Recheck hardware count as per the part list.*

**5. Product not installing properly.**

*Ensure the Year / Make / Model as well as cab and bed dimensions are correct for the application. Review all steps for installation to ensure they were followed correctly.*

**6. Who should be contacted for questions regarding product / installation assistance?**

*www.trailfx.com / support@trailfx.com 1-(866) 638-4870*

Check out these other TrailFX Products!

www.trailfx.com



HOOD PROTECTOR



FENDER FLARES



TONNEAU COVER



BED LINERS

*Keystone Automotive Operations Inc. (KAO) warrants this product to be free of defects in material and workmanship at the time of purchase by the original retail consumer. KAO disclaims any other warranties, express or implied, including the warranty of fitness for a particular purpose or an intended use. If the product is found to be defective, KAO may replace or repair the product at our option, when the product is returned prepaid, with proof of purchase. Alteration to, improper installation, or misuse of this product voids the warranty. KAO's liability is limited to repair or replacement of products found to be defective, and specifically excludes liability for any incidental or consequential loss or damage.*