



**Assembly, Installation, Operation and  
Maintenance Instructions  
Roof Rack**

**Part Number:  
JL014T**

**120 minutes**

**Dealer / Installer:** Provide a copy of these instructions to the end user of this product. These instructions provide important operating and safety information for proper usage of this product. Demonstrate the proper use of the product with the end user. Have the end user demonstrate that they understand the proper use of the product.

**End User:** Read and follow all instructions included in this manual. Ask your Dealer / Installer for assistance if you do not understand the proper use of the product. Never remove any decals from the product. Failure to follow these instructions can result in injury or death.

**⚠ WARNING ⚠**

**APPLICATION: 2018- JEEP WRANGLER JL 2 DOOR**

**⚠ WARNING ⚠**

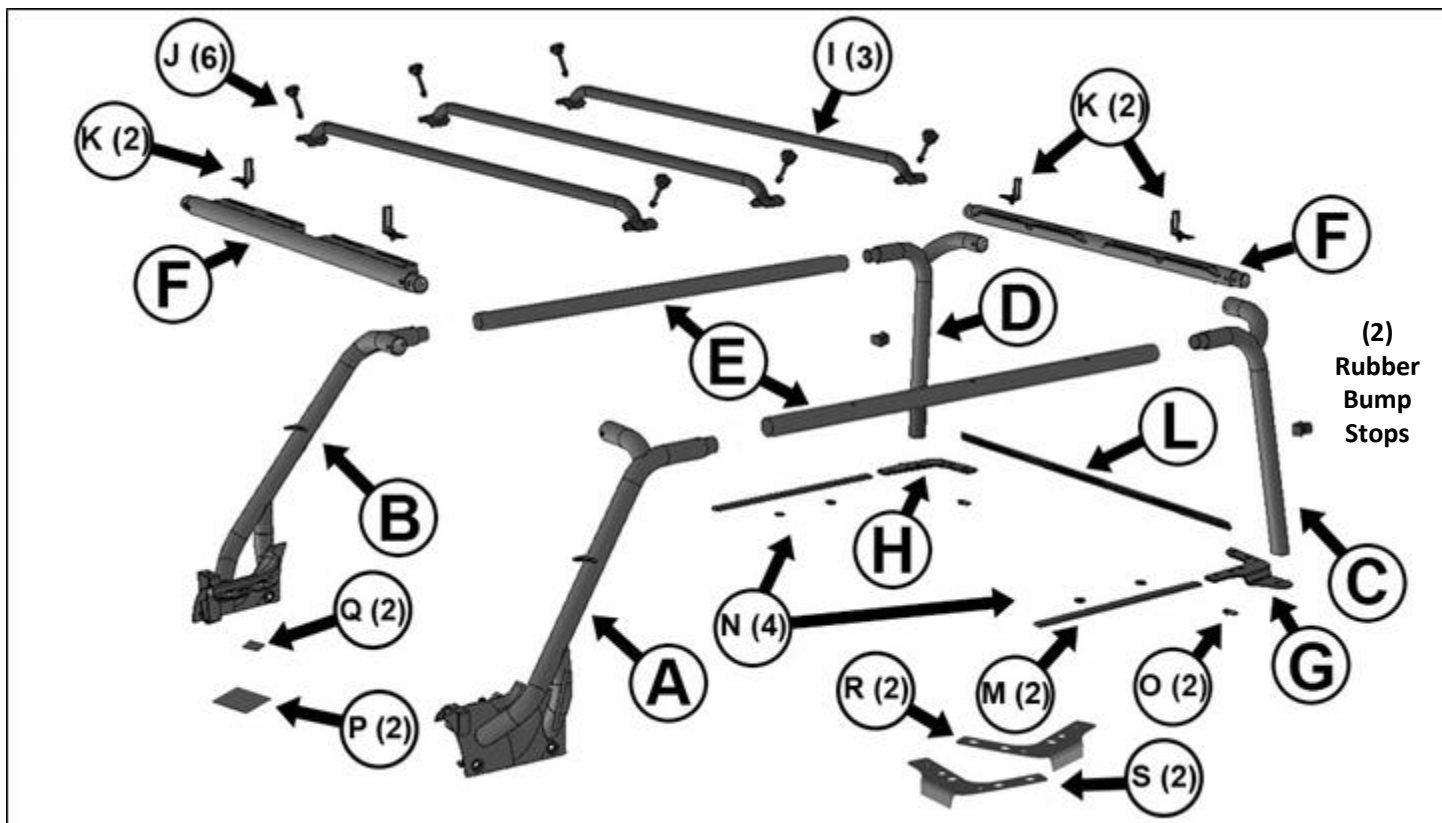
- Excludes models with OE soft top
- Excludes Jeep Wrangler 4XE models

**Load Ratings**

- Dynamic Load – 300 Pound
- Static Load – 550 Pound

**PARTS LIST:**

Qty	Part Description	Qty	Part Description
1	(A) Driver/Left Front Leg	2	(O) 8mm Nut Plates
1	(B) Passenger/Right Front Leg	8	10-1.50mm x 70mm Allen Bolts
1	(C) Driver/Left Rear Leg	2	10-1.50mm x 30mm Hex Bolts
1	(D) Passenger/Right Rear Leg	2	10mm x 27mm x 3mm Flat Washer
2	(E) Left or Right-Side Rails	16	10mm x 20mm x 2mm Flat washers
2	(F) Front or Rear Cross Rails	2	10mm Lock Washer
1	(G) Driver/left Rear Mounting Bracket	8	10mm Nylon Lock Nuts
1	(H) Passenger/right Mounting Bracket	6	8-1.25mm x 35mm Countersunk Bolts
3	(I) Basket/accessory Crossbars	4	8-1.25 x 25mm Hex Bolts
6	(J) 8-1.25mm x 70mm Hex Bolt W-Knobs	20	8mm x 24mm x 2mm Large Flat Washers
2	Rubber Bump Stops	4	8mm Lock Washers
2	ST5-30 Self Tap Screws	4	8mm Hex Nuts
2	ST 9.8mm x 5.4mm x 1.1mm Flat Washers	6	8mm Nylon Lock Nuts
4	(K) "L" Light Brackets	20	Plastic Wire Ties
1	(L) Tailgate Top Seal	1	6mm Wrench
2	(M) 940mm x 25mm x 8mm Foam Top Seals	1	5mm Wrench
1pr	1200mm x 10mm x .8mm 2-Sided Tape	1	150mm Foam Tube (antenna)
2	(P) 80mm x 45mm x 2mm Front Foam Pads	6	12mm Rubber Plugs
2	(Q) 36mm x 16mm x 2mm Front Foam Pads	5	12mm Wiring Grommets
2	(S) Left Rear Mounting Bracket Foam Seals	1	Tube of Cleaner/Adhesive Activator
2	(R) Right Rear Mounting Bracket Foam Seals	1	Bottle-Thread Locking Compound
4	(N) 12mm x 30mm x 5mm Spacer Washers		



## INSTALLATION PROCEDURE:

1. Start installation by removing the roof panels and hard top assembly. **NOTE:** Follow the instructions provided in the owner's manual to remove the roof panels and top.
2. Remove both wiper arm assemblies, **(Figure 1)**. Next, carefully pry up sides of the plastic center trim panel to remove panel from top of cowl panel in front of windshield, **(Figures 1 & 2)**.
3. Open hood fully and rest hood on top of windshield. **IMPORTANT:** Place pad between hood and windshield to protect finish. Locate and remove the plastic clips under the rear rubber seal attaching the front of the cowl to the body, **(Figure 3)**. Lower hood and place hood on support prop.
4. Remove the bolts at both ends of the cowl, **(Figure 4)**. Carefully pry up the back of the plastic cowl panel to release the clips in the panel from the body. **NOTE:** The cowl does not have to be removed, only released from clips to access windshield hinge hardware.
5. Remove the lower/outer bolts attaching the passenger/right side body corner panel and remove panel, **(Figure 4)**. Remove the passenger/right outer hinge bolt, **(Figure 4)**.
6. Repeat **Steps 4 & 5** to remove driver/left corner panel and bolt.
7. Select the passenger/right Roof Rack Leg, (1) Large and (1) Small Rectangular Foam Pads. Apply the Pads to the bottom of the Rack Leg Base, **(Figure 5)**.
8. With assistance, hold the Rack Leg up in place over the body. Line up the inner mounting hole in the Base with the windshield hinge. Reuse the factory hex bolt to attach the Base to the hinge, **(Figure 6)**. Reuse the factory bolts to attach the outer mounting holes in the Base to the threaded holes in the side of the body, **(Figure 7)**. Do not fully tighten hardware at this time.
9. Next, select the driver/left Rack Leg. Repeat **Steps 7 & 8** to install the Rack Leg.

## INSTALLATION PROCEDURE CONTINUED:

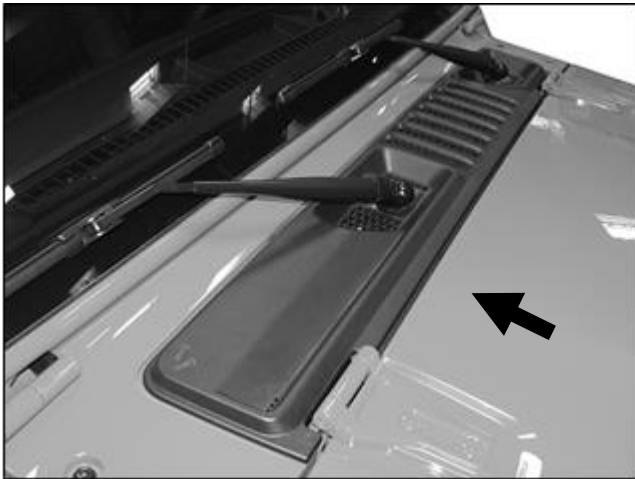
10. Select (1) Cross Rail. Loosen Rack Legs enough to insert the Cross Rail between the top of the Rack Legs. Attach the Cross Rail to the Rack Legs with the included (2) 10mm x 70mm Button Head Bolts, (4) 10mm x 20mm Small Flat Washers and (2) 10mm Nylon Lock Nuts, **(Figure 8)**. Do not tighten hardware at this time. **NOTE:** It may be necessary or easier to temporarily remove one Rack Leg to insert the Cross Rail. Cross Rail can be installed with light tabs facing forward or to the rear.
11. Move to the passenger/right rear of the vehicle. Select the passenger/right Rear Mounting Bracket, (1) "Left" and (1) "Right" Adhesive Backed Foam Gasket, **(Figure 9)**. Apply the Gaskets to the top and bottom of the Mounting Base.
12. Line up the (2) countersunk mounting holes in the Bracket with the factory threaded holes in the body, **(Figure 10)**. Apply included Thread Lock Compound to (3) 8mm Countersunk Bolts, **(Figure 11A)**. Attach the Bracket to the top of the body with (2) 8mm x 35mm Countersunk Bolts, **(Figure 11B)**. Next, select (1) 8mm Nut Plate. Push the plastic cover down slightly and insert the Nut Plate under the edge of the body. Attach the Bracket to the Nut Plate with (1) 8mm x 35mm Countersunk Bolt, **(Figure 11B & 12)**. Fully tighten the mounting hardware at this time.
13. Select (1) 37" x 1" (940mm x 25mm) Long Foam Seal, **(Figure 13)**. Remove the factory seal from the top of the body. Clean surface with isopropyl alcohol, (not included). Apply Foam Seal tight against Mounting Base and along body in same location as factory seal, **(Figure 14)**. Trim as required.
14. Repeat **Steps 11—13** to install the driver/left Mounting Bracket and Side Seal.
15. Reinstall hardtop and top panels if desired. **IMPORTANT:** before reinstalling top, place the included (4) 12mm x 30mm x 5mm Spacer Washers over the threaded holes in both sides of the body, **(Figure 15)**. Insert the factory bolts for top down through the top, the Spacer and into the body to support the top, **(Figure 15)**.
16. Select (1) Side Rail. Attach the Side Rail to the back of the passenger/right front Leg with (1) 10mm x 70mm Button Head Bolt, (2) 10mm x 20mm Small Flat Washers and (1) 10mm Nylon Lock Nut, **(Figure 16)**. Make sure Side Rail is oriented properly. **IMPORTANT:** Cover end of Side Rail with tape or padding to protect top. Do not fully tighten hardware.
17. Next, select the passenger/right Rear Rack Leg, **(Figure 17)**. Repeat **Step 16** to attach the Rear Leg to the Side Rail. Attach the Rear Leg to the Mounting Bracket with (1) 10mm x 30mm Hex Bolt, (1) 10mm Lock Washer and (1) 10mm x 27mm Large Flat Washer, **(Figures 18 & 20)**. Leave hardware loose.
18. Select the remaining Cross Rail. Repeat **Step 10** to attach the Cross Rail to the rear Rack Legs with (2) 10mm x 70mm Button Head Bolts, (4) 10mm x 20mm Small Flat Washers and (2) 10mm Nylon Lock Nuts, **(Figure 19)**. Do not fully tighten hardware.
19. With the Rack assembled, slide (1) Rubber Bumper between the top and the driver/left Rack Leg until the Bumper is just touching the side of the top, **(Figure 21)**. Move to the passenger/right side and slide the remaining Bumper between the Leg and the top. Adjust the height of the Bumpers an equal distance from the body and mark the location on the side of the tube facing the vehicle. Remove the driver/left Rear Leg. **NOTE,** it may be necessary to partially disassemble the rear section of the Rack to remove the Legs. Drill an 1/8" hole into the Rear Leg at the marked location, **(Figure 22)**. Drill only through the side requiring the Rubber Bumper. Do not drill through both sides of the tube. Attach the Rubber Bumper to the Rear Leg with (1) #5 x 30mm Screw and (1) 5mm Flat Washer, **(Figure 23)**. Snug but do not over tighten or the Rubber Bumper will be deformed. Once both Rubber Bumpers are installed, reassemble the Rack.
20. Move to the rear of the vehicle and open the tailgate. Clean the top edge (inside and outside) of the tailgate, **(Figure 24** - isopropyl alcohol recommended - not included). Select the small tube of adhesive Primer. Wipe the inside and outside of the tailgate with the Primer. Apply (1) strip of the Double-Sided Tape to the outside of the tailgate close to but not over the top edge of the tailgate, **(Figure 25)**. Cut to fit width of tailgate. **IMPORTANT: DO NOT REMOVE the outer backing tape** from the Double-Sided Tape at this time. Repeat to apply remaining Double-Sided Tape to the inside of the tailgate.

## **INSTALLATION PROCEDURE CONTINUED:**

21. Select the Rubber Edge Seal. Clean the channel in the Seal, **(Figure 26)**. Wipe the entire channel with Primer. Slide the Seal over the edge of the tailgate and the Double-Sided Tape. Push the Seal down onto the tailgate. With the tailgate fully open, pull back the inner lip on the Seal with one hand, grab the end of (1) backing tape with the other hand and **slowly pull the backing tape off** to stick the Seal to the Tape, **(Figure 27A & 27B)**. Continue the full length of the Seal. Close the tailgate and repeat to attach the Seal to the Double-Sided Tape on the outside of the tailgate, **(Figure 27A)**.
22. On models with antenna, slide the included Antenna Sleeve Tubing onto the antenna, **(Figure 8)**.
23. If bar style LED light will be installed, (not included), use brackets and hardware included with light or select (2) of the included "L" Light Bar Brackets, **(Figure 28)**. Attach the Brackets to the top of the Roof Rack with the included (2) 8mm x 25mm Hex Bolts, (4) 8mm Flat Washers, (2) 8mm Lock Washers and (2) 8mm Hex Nuts.
24. Next, select (1) Cargo Cross Bar, **(Figure 29)**. Attach the Crossbar to the top of the Side Rails with (2) 8mm x 70mm Bolts with integrated Knobs, (2) 8mm Flat Washers and (2) 8mm Nylon Lock Nuts, **(Figure 29)**. Repeat this Step to install the remaining (2) Cross Bars. **NOTE:** (3) Cross Bars are included with the Roof Rack and can be installed in any of the mounting locations depending on size and shape of roof basket (not included) or accessories, **(Figure 29)**.
25. Check the Roof Rack for alignment, adjust as necessary and fully tighten all hardware. Start tightening sequence at the base of the front Mounting Legs, then move to rear Mounting Bases, Rear and Front Cross Rails, both Side Rails and all Crossbars.
26. Reinstall front cowl, plastic trim panel and wiper arm assemblies.
27. Insert the included 12mm Rubber Plugs into any unused mounting holes. **NOTE:** (5) Rubber Grommets have been included for use to seal around any internal wiring, use as required.
28. Do periodic inspections to the installation to make sure that all hardware is secure and tight.

**To protect your investment**, Do not use any type of polish or wax that may contain abrasives that could damage the finish. Mild soap may be used to clean the Roof Rack.

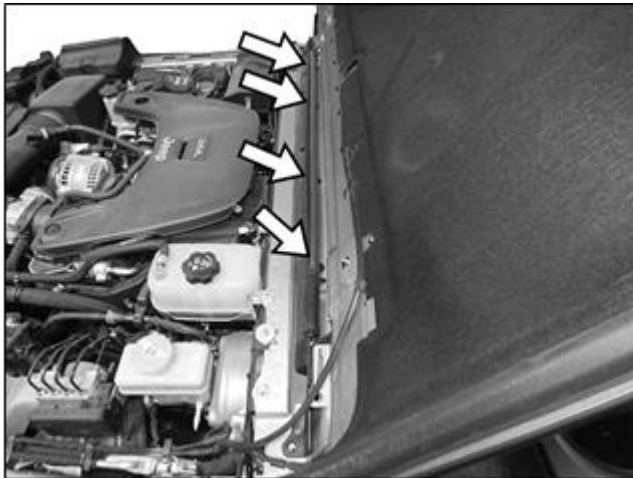
**INSTALLATION PROCEDURE IMAGES (PASSENGER/RIGHT SIDE):**



**(Fig 1) Remove wiper arms and plastic cowl cover (arrow)**



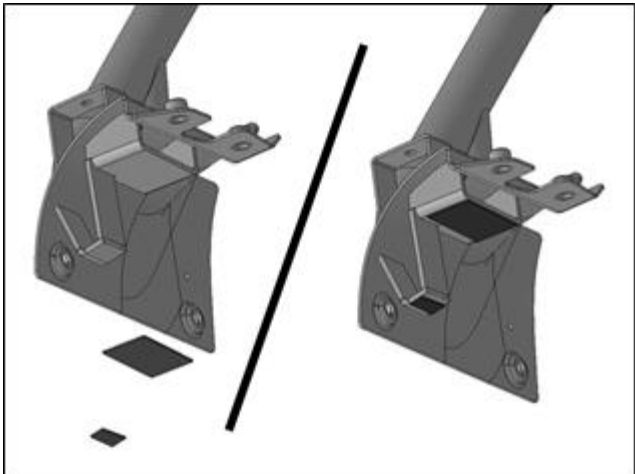
**(Fig 2) Cover removed**



**(Fig 3) Remove plastic clips behind rubber seal, attaching front of cowl to body (arrows)**



**(Fig 4) Remove factory bolts to remove corner body panel. Remove outer bolt from windshield hinge (arrow)**



**(Fig 5) Apply rectangular small and large Foam Pads to bottom of Front Rack Legs**



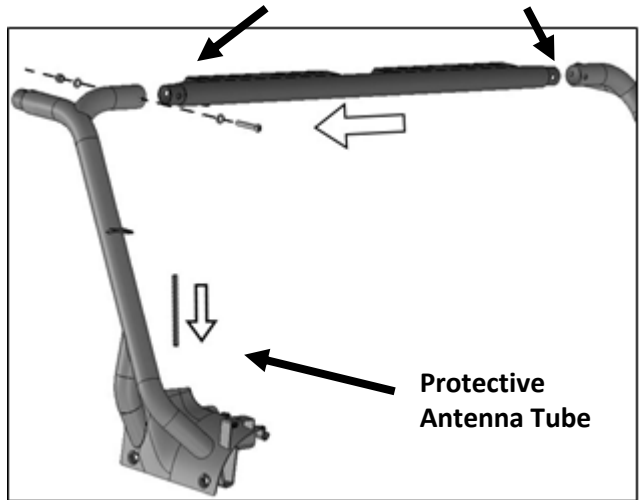
**(Fig 6) Reuse factory bolt to attach passenger/right Front Rack Leg to top of windshield hinge**

**INSTALLATION PROCEDURE IMAGES CONTINUED:**

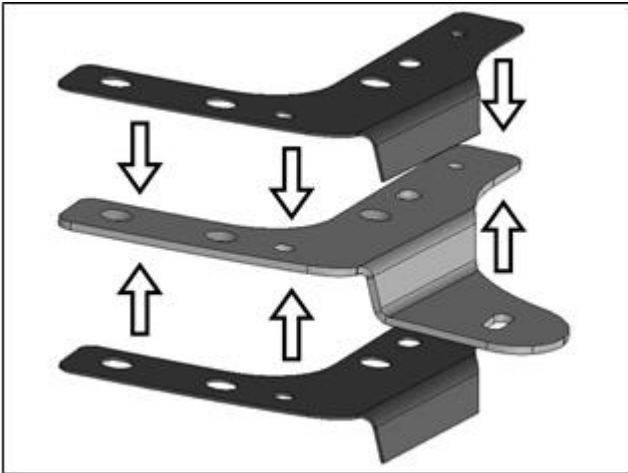


**(Fig 7) Reuse factory bolts to attach passenger/right Front Rack Leg to body (arrows). Accessory light not included**

**10mm x 70mm Button Head Bolt (2) 10mm x 20mm Flat Washers 10mm Nylon Lock Nut**



**(Fig 8) Slide (1) Crossbar into the top of the installed passenger/right Front Rack Leg. Attach Crossbar to driver/left Rack Leg. NOTE: Crossbar can be installed with light tabs facing forward or to the back if desired**



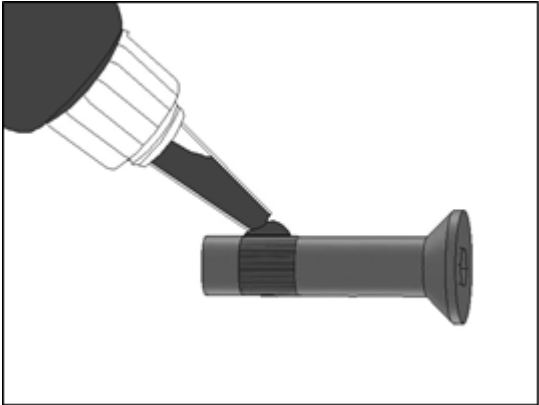
**(Fig 9) Apply adhesive backed Foam Seals to the top and bottom of the passenger/right Rear Mounting Bracket before installing**



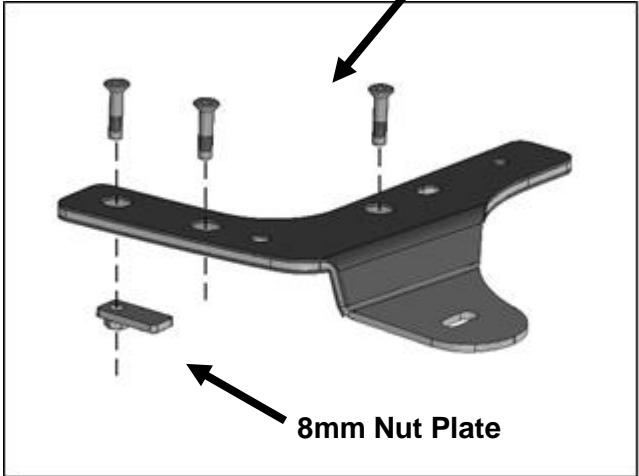
**(Fig 10) Passenger/right rear mounting location. Remove factory side to top seal (Shown on 4-door model for example)**

**INSTALLATION PROCEDURE IMAGES CONTINUED:**

**(3) 8mm x 35mm  
Countersunk Bolts**



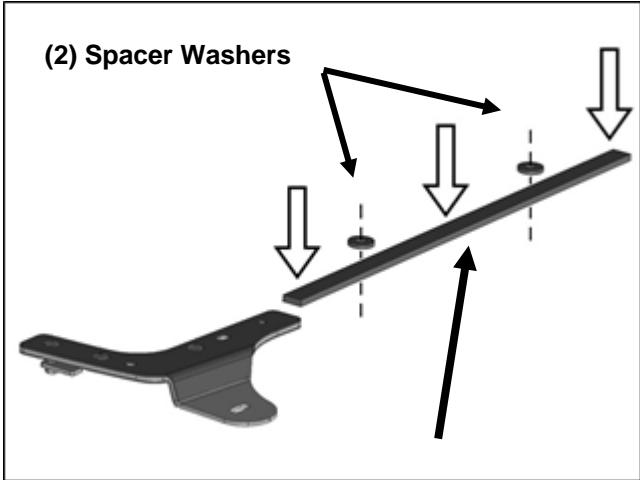
**(Fig 11A) Apply included Thread Lock Compound to Countersunk Bolts**



**(Fig 11B) Attach Passenger/right Rear Mounting Bracket to top of body**



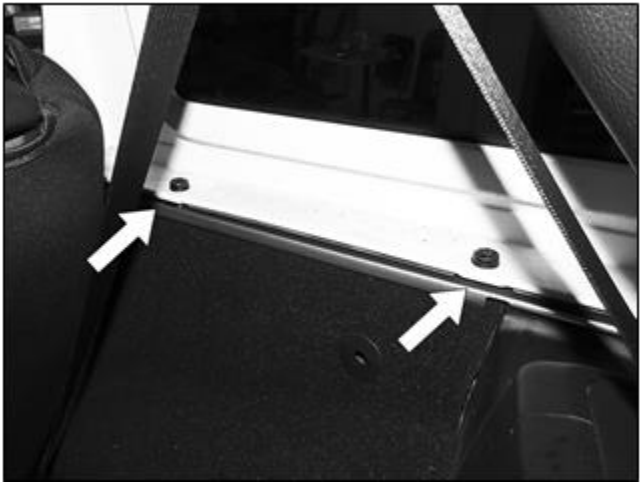
**(Fig 12) Passenger/right Mounting Bracket installed**



**(Fig 13) Replace factory seal strip with included thicker Top Seal (see Fig 14)**

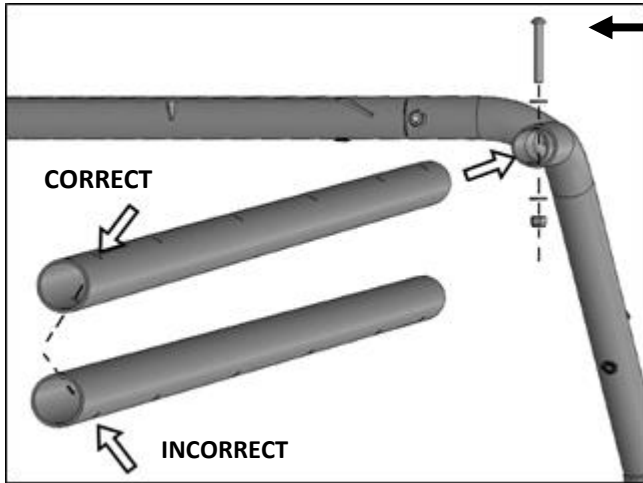


**(Fig 14) Install Foam Seal in original location (Shown on 4-door model for example)**



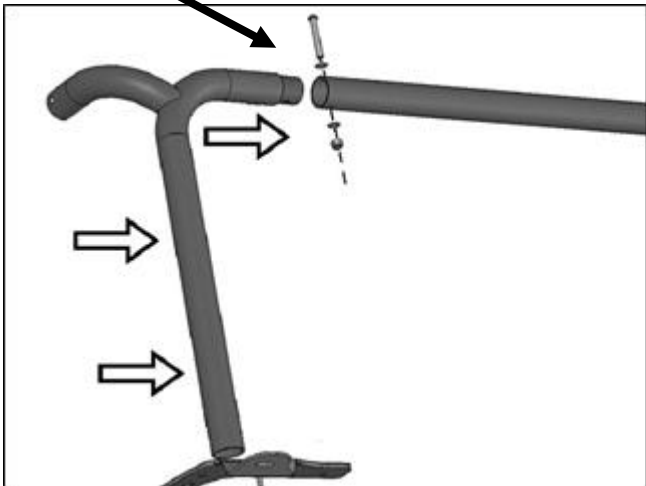
**(Fig 15) Insert (2) Spacer Washers between top and body (arrows), over mounting holes (Fig 13) (Shown on 4-door model for example)**

**INSTALLATION PROCEDURE IMAGES CONTINUED:**

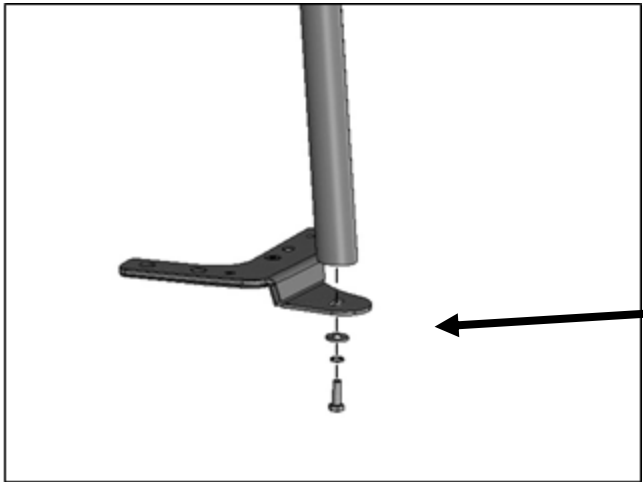


**(Fig 16) Attach Sidebar to top of Front Rack Leg**

**10mm x 70mm Button Head Bolt  
(2) 10mm x 20mm Flat Washers  
10mm Nylon Lock Nut**

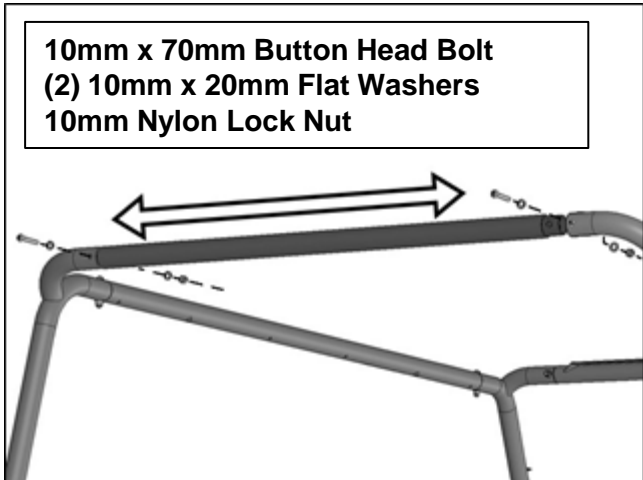


**(Fig 17) Attach passenger/right Rear Leg to Sidebar**



**10mm x 30mm Hex Bolt  
10mm Lock Washer  
10mm x 27mm Large Flat Washer**

**(Fig 18) Attach base of passenger/right Rear Leg to Mounting Bracket**



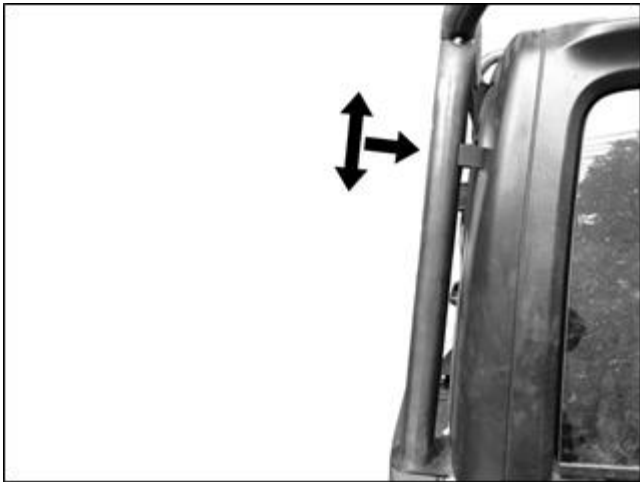
**(Fig 19) Attach rear Crossbar to Rack Rear Legs (also see note Figure 9)**



**(Fig 20) Rear Leg attached to Mounting Bracket (driver/left side pictured)**



**INSTALLATION PROCEDURE IMAGES CONTINUED:**



**(Fig 21) Insert Bumpers evenly between Rear Legs and top (driver/left side pictured). Mark locations**



**(Fig 22) Drill 1/8" pilot hole**



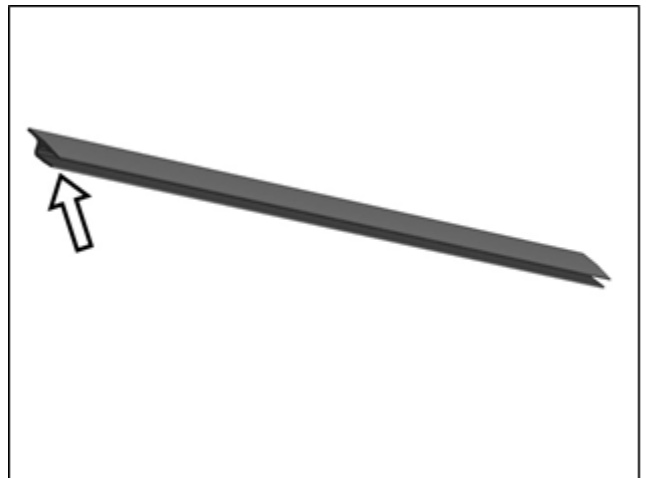
**(Fig 23) Attach Bumpers with included #5 Screw and 5mm Flat Washer**



**(Fig 24) Clean top of tailgate, inside and outside with included Adhesive Activator**



**(Fig 25) Apply (1) strip of Double-Sided Tape to outside of tailgate, DO NOT REMOVE OUTER BACKING TAPE! Repeat to apply (1) strip of Tape to inside of tailgate**

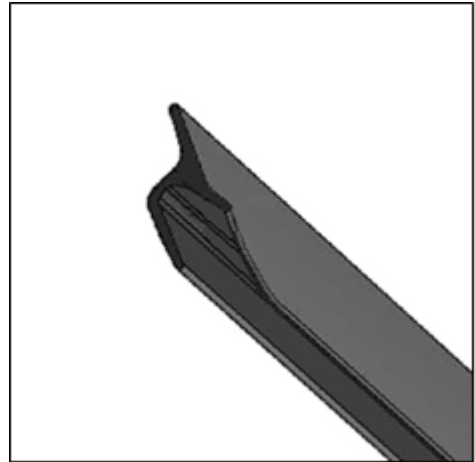


**(Fig 26) Clean inside channel (arrow) on Tailgate Seal with Activator**

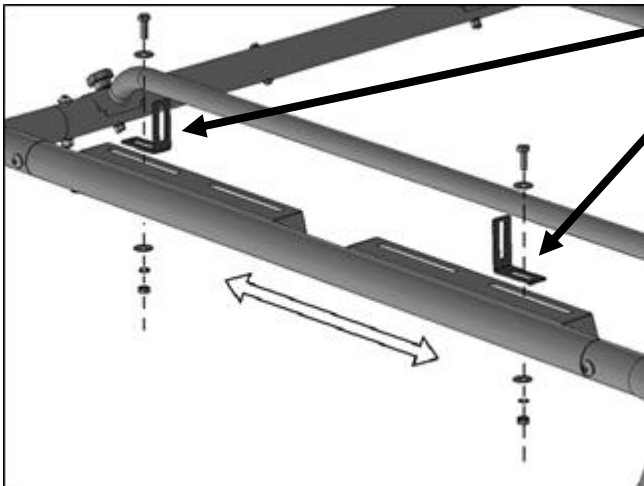
**INSTALLATION PROCEDURE IMAGES CONTINUED:**



**(Fig 27A) Slide Seal over top of tailgate and Tape. Start at end, pull back outer lip on Seal to expose Tape. Slowly remove/pull off outer backing from Tape and stick Seal to Tape and tailgate. Repeat to remove backing from inner Tape on tailgate**



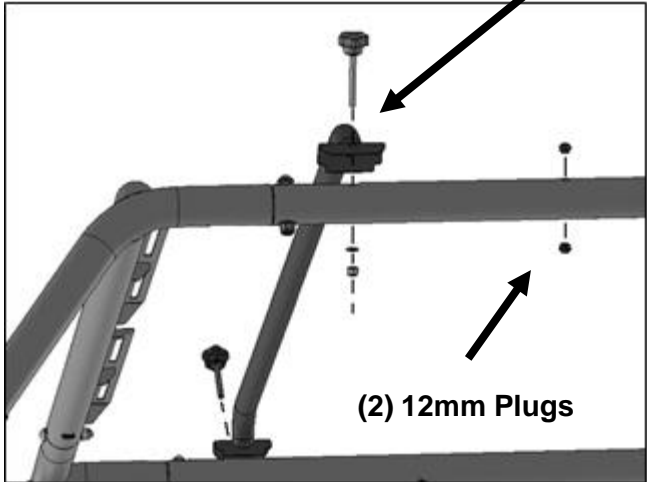
**(Fig 27B) Pull back outer lip on Seal to expose Tape on tailgate (Fig 25)**



**(Fig 28) Attach "L" Light Brackets to slots**

- 8mm x 25mm Hex Bolts
- (2) 8mm Flat Washers
- 8mm Lock Washer
- 8mm Hex Nut

- 8mm x 70mm Bolt w/Knob
- 8mm Flat Washer
- 8mm Nylon Lock Nut



**(Fig 29) Attach Cross Rails to top of Sidebars. Use Rubber Plugs to fill unused mounting holes inside Rails**

**(2) 12mm Plugs**

## **PRODUCT CARE:**

- Periodically check the product to ensure all fasteners are tight and components are intact.
- Regular waxing is recommended to protect the finish of the product.
- **Use ONLY Non-Abrasive automotive wax.** Use of any soap, polish or wax that contains an abrasive is detrimental and can scratch the finish leading to corrosion.
- Aluminum polish may be used to polish small scratches and scuffs for **Stainless Steel finish.**
- Mild soap may be used to clean the product for both **Stainless Steel and Black finish.**

## **FAQ'S**

- **Hardware and mounting brackets are not aligning properly**
  - Ensure that hardware is being used on the correct side of the vehicle. In some cases, the hardware may appear same for driver or passenger side but may alter the alignment of mounting location. Check mounting brackets for both sides.
- **Products are thumping / rattling after installation**
  - Ensure that all required mounting brackets / hardware's are installed & tighten correctly. Suggest using white lithium / regular grease between metal-to-metal contact.
- **Missing / Excess Hardware**
  - Recheck hardware count as per the part list.
- **Product not installing properly**
  - Ensure the Year / Make / Model as well as cab and bed dimensions are correct for the application. Review all steps for installation to ensure they were followed correctly.
- **Who should be contacted for questions regarding product / installation assistance?**
  - [www.trailfx.com](http://www.trailfx.com) / [support@trailfx.com](mailto:support@trailfx.com) 1-(866) 638-4870

# Warranty Terms:

## 3 Year Limited Warranty:

TrailFX and Keystone Automotive Operations Inc. make no guarantees or warranties for products not manufactured by Keystone Automotive Operations Inc. Such products are covered solely under any applicable warranty of the manufacturer. It is always recommended that the operating instructions and warranty instructions provided by the manufacturer are followed.

Keystone Automotive Operations Inc. warrants its products to be free from manufacturing and material defects to the original purchaser for the length of warranty stated above from the date of retail purchase. If any products are found to have a manufacturing or material defect, the product will be replaced or repaired at the option of TrailFX and Keystone Automotive Operations Inc. with proof of purchase by the original purchaser. The original purchaser shall pay all transportation and shipping costs associated with the return of the defective product and the defective product shall become the property of Keystone Automotive Operations Inc.

The Warranty applies to Keystone Automotive Operations Inc. products used for individual and recreational purposes. Commercial usage of the Keystone Automotive Operations Inc. products limits the warranty to 90-days from date of purchase.

The Warranty applies only to Keystone Automotive Operations Inc. products which are found to be defective in manufacturing or material. This warranty does not apply to normal wear and tear of the finish placed on Keystone Automotive Operations Inc. products.

TrailFX and Keystone Automotive Operations Inc. are not responsible for any labor costs incurred for removal or replacement of the defective product.

TrailFX and Keystone Automotive Operations Inc. are not responsible for repair or replacement of any product under the limited warranty where the product was improperly installed, misapplied, altered, abused, neglected, overloaded, misused or damaged as a result of an accident, including any use of the product not in accordance with all product operating and safety instructions.

Without limiting the generality of the foregoing, TrailFX and Keystone Automotive Operations Inc. shall under no circumstances be liable for any incidental or consequential loss or damage whatsoever arising out of, or in any way relating to any such breach of warranty or claimed defect in, or non-performance of the products. Some states do not allow the exclusion or limitation of incidental or consequential damages, so the above exclusion or limitation may not apply to you.

This limited warranty gives you specific legal rights, and you may also have other rights that vary from state to state.