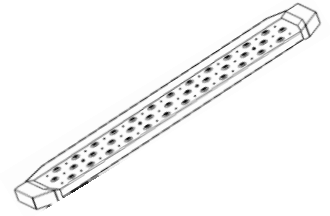




# Running Board

## Part No. RBV10B



**Fits: 2007-2021 SPRINTER VAN (EXCLUDING PASSENGER VAN WITH REAR AIR)**  
**INCLUDES MERCEDES, FREIGHTLINER AND DODGE**



RATCHET, SOCKET SET AND WRENCH SET



90 mins



Cutting is not Required



Drilling is Required



REMOVE CONTENTS FROM BOX. VERIFY ALL PARTS ARE PRESENT



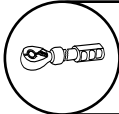
support@trailfx.com



READ INSTRUCTIONS CAREFULLY BEFORE STARTING INSTALLATION



1- (866) 638 - 4870



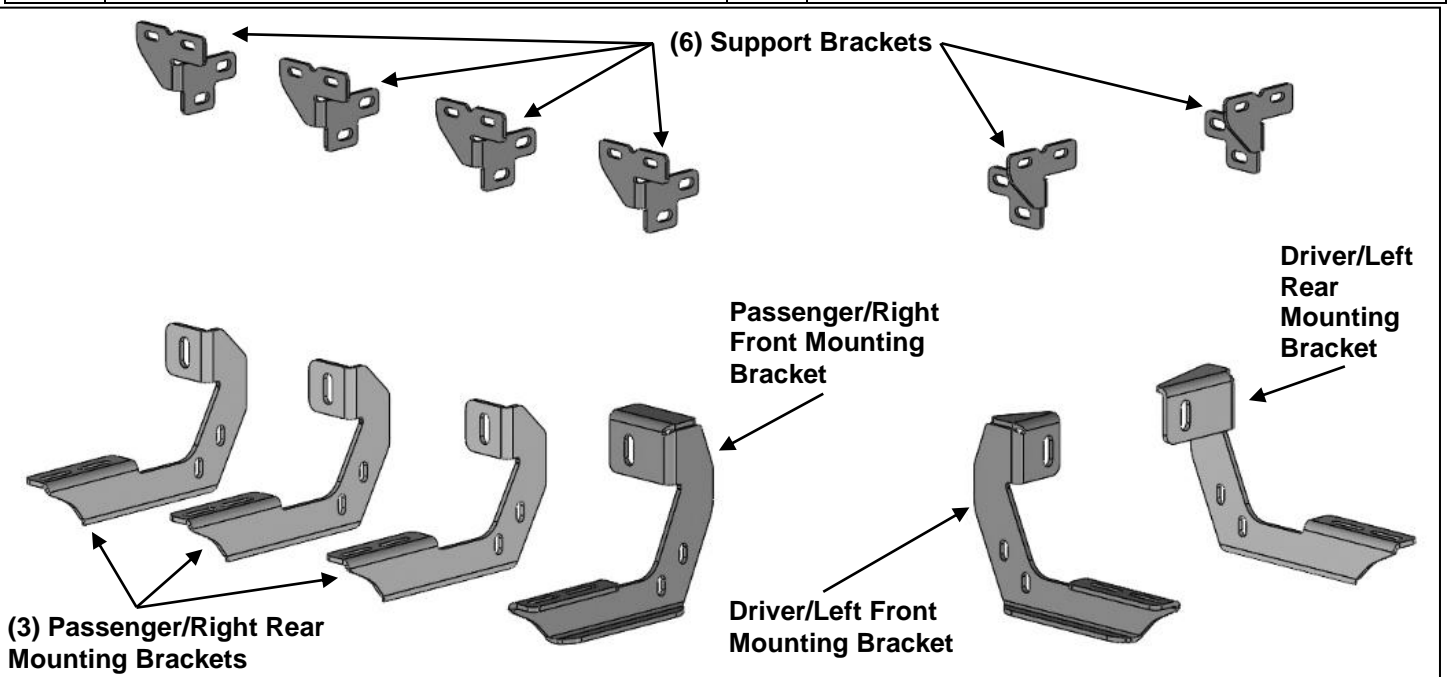
**M6 BOLT** 8 FOOT POUND  
**M8 BOLT** 18 FOOT POUND  
**M10 BOLT** 37 FOOT POUND



**POWDER COATED BLACK – 3 YEARS**

### PARTS LIST:

Qty	Part Description	Qty	Part Description
1	Driver/Left Rattler Running Board	6	10mm Hex Nuts
1	Passenger/Right Rattler Running Board	12	8-1.25mm x 30mm Hex Bolts
1	Driver/Left Front Mounting Bracket	24	8mm x 24mm OD x 2mm Flat Washers
1	Driver/Left Rear Mounting Bracket	12	8mm Lock Washers
1	Passenger/Right Front Mounting Bracket	12	8mm Hex Nuts
3	Passenger/Right Mounting Brackets	6	6mm Double Bolt Plates
6	Support Brackets	12	6-1.25mm x 30mm Hex Bolts
6	10-1.5mm x 30mm Bolt Plates	12	6mm x 22mm OD x 2mm Flat Washers
6	10mm Plastic Retainers	24	6mm x 18mm OD x 1.6mm Flat Washers
6	10mm x 24mm OD x 2.2mm Flat Washers	24	6mm Lock Washers
6	10mm Lock Washers	24	6mm Hex Nuts



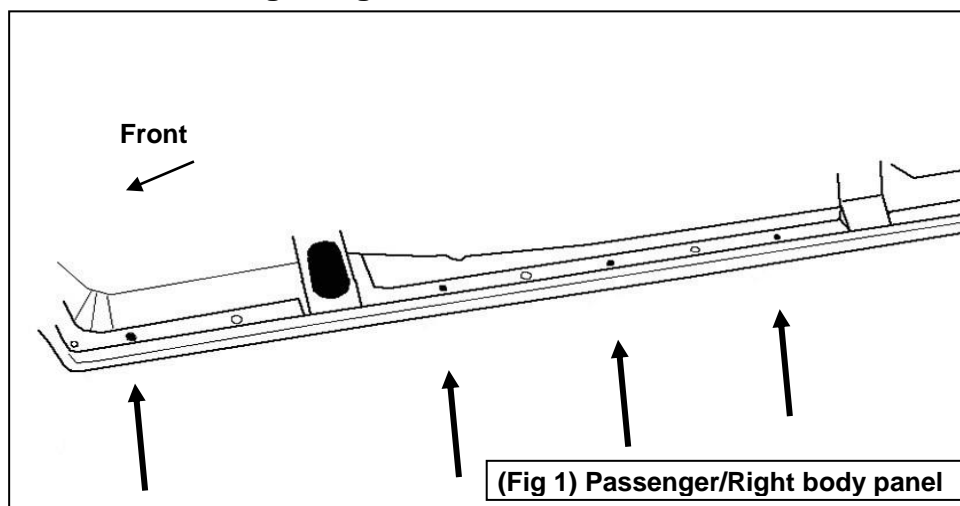
### PROCEDURE:

1. REMOVE CONTENTS FROM BOX. VERIFY ALL PARTS ARE PRESENT. READ INSTRUCTIONS CAREFULLY BEFORE STARTING INSTALLATION. DRILLING IS REQUIRED. ASSISTANCE IS RECOMMENDED.

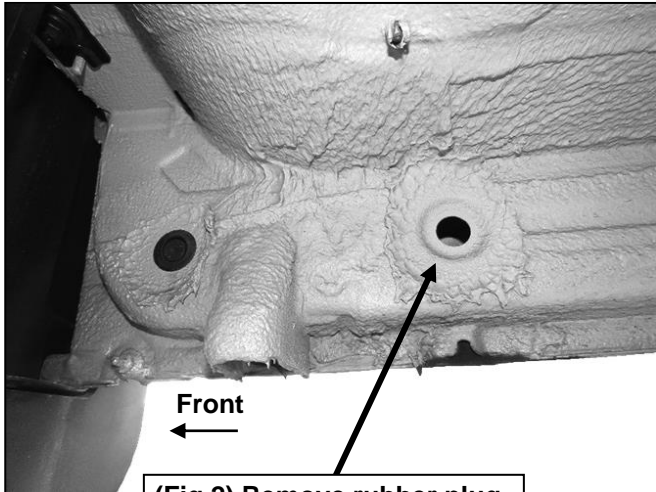
2. Starting on the Passenger/Right side of the vehicle, locate the 2nd factory hole in the inner body panel from the front tire opening, **(Figures 1 & 2)**. Remove the rubber plug. **NOTE:** Mounting locations may be covered with heavy undercoating. Refer to instructions to find all mounting locations.
3. Select (1) 10mm Bolt Plate. Insert the Bolt Plate into the mounting hole. Thread (1) 10mm Plastic retainer onto the Bolt Plate to hold it in place, **(Figure 3)**.
4. Select the unique Passenger/Right Front Bracket. Attach the Bracket to the Bolt Plate with (1) 10mm Flat Washer, (1) 10mm Lock Washer and (1) 10mm Hex Nut, **(Figure 4)**. Do not tighten hardware.
5. Next, select (1) Support Bracket. Attach the Support Bracket to the front face of the Passenger/Right Front Mounting Bracket with (2) 8mm x 30mm Hex Bolts, (4) 8mm Flat Washers, (2) 8mm Lock washers and (2) 8mm Hex Nuts, **(Figure 5)**. Line up the mounting flange on the Support Bracket with the **outside** of the pinch weld. Do not tighten hardware.
6. Repeat **Steps 2—5** to attach the (3) Passenger/Right Mounting Brackets and (3) Support Brackets to the body panel, **(Figures 6—9)**.
7. Select the long passenger side Running Board. Place the Running Board on top of the (4) Brackets. Level and adjust the Running Board and fully tighten the Bracket to vehicle hardware only. Temporarily remove the Running Board.
8. Make sure the Brackets are level to the vehicle. Line up the slots on each Support Bracket with the outside of the pinch weld. Mark the location of the slots onto the pinch weld, **(Figure 10)**. **IMPORTANT:** Do not drill too close to the bottom edge of the pinch weld. Adjust Support Brackets and/or Mounting Brackets so that slots in Support Brackets are not too close to the bottom edge of the pinch weld. Once the Running Board and Brackets are properly adjusted and slot locations marked, remove the Running Board and Support Brackets. Use a 5/16" drill bit to drill the (2) holes through the pinch weld for each Support Bracket.
9. Attach each Support Bracket to the outside of the pinch weld with (2) 6mm Hex Bolts, (4) 6mm x 18mm STD Flat Washers, (2) 6mm Lock Washers and (2) 6mm Hex Nuts, **(Figure 11)**. Repeat this Step to attach the remaining (3) Passenger/Right Support Brackets. Tighten the hardware attaching the Support Brackets to the vehicle only.
10. Select (4) 6mm Double Bolt Plates, **(Figure 12)**. Locate the channels in the bottom of the Running Board, **(Figure 13)**. Insert the Bolt Plates into the channels in the bottom of the Running Board closest to the Brackets. With assistance, guide the studs down through the Mounting Brackets.
11. Attach the Running Board to the Brackets with (8) 6mm x 22mm Large Flat Washers, (8) 6mm Lock Washers and (8) 6mm Hex Nuts, **(Figure 14)**. **NOTE:** The Running Board is designed to fit close to the vehicle. It may be necessary to loosen the Bracket hardware and tilt the Brackets downward to insert the Running Board between the Brackets and the body. Level and adjust the Running Board and fully tighten all hardware.
12. Move to the Driver/Left side of the vehicle. Remove the undercoating and the rubber plugs from the 2nd and 3rd mounting locations. Repeat **Steps 3—5** to attach the Driver/Left Front Mounting Bracket and (1) Support Bracket to the 2nd mounting location in the body panel, **(Figures 15—18)**. Do not tighten hardware at this time.
13. Repeat **Step 12** to attach the Driver/Left Rear Mounting Bracket and (1) Support Bracket to the 3rd mounting location on the body panel.
14. Select the Driver/Left Running Board. Repeat **Steps 7—11** to drill the pinch weld to attach the Support Brackets and Running Board.
15. Level and adjust the Driver/Left Running Board and tighten all hardware.
16. Do periodic inspections to the installation to make sure that all hardware is secure and tight.

**To protect your investment**, Do not use any type of polish or wax that may contain abrasives that could damage the finish. Use Mild soap to clean the Running Board.

### Passenger/Right Side Installation Pictured

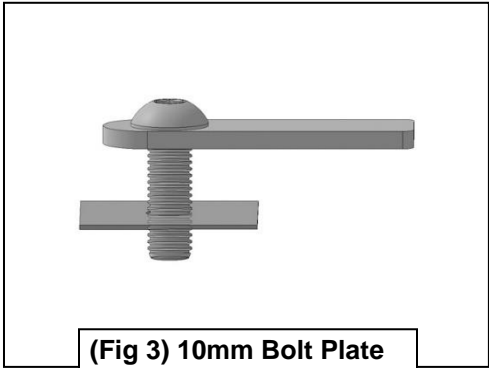


### Passenger/Right Side Installation Pictured

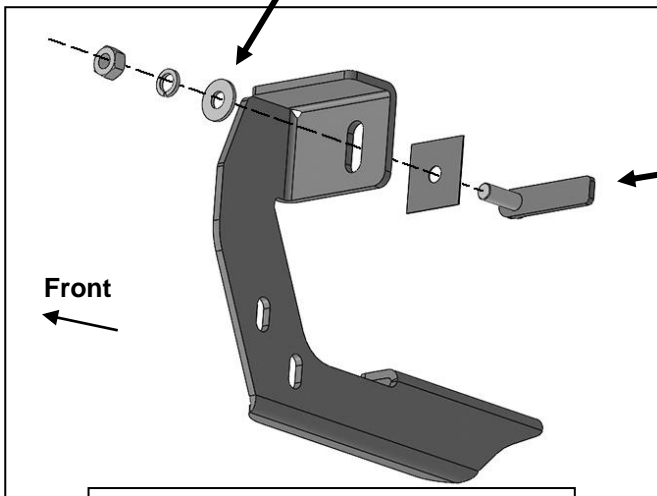


(Fig 2) Remove rubber plug

- 10mm Flat Washer
- 10mm Lock Washer
- 10mm Hex Nut



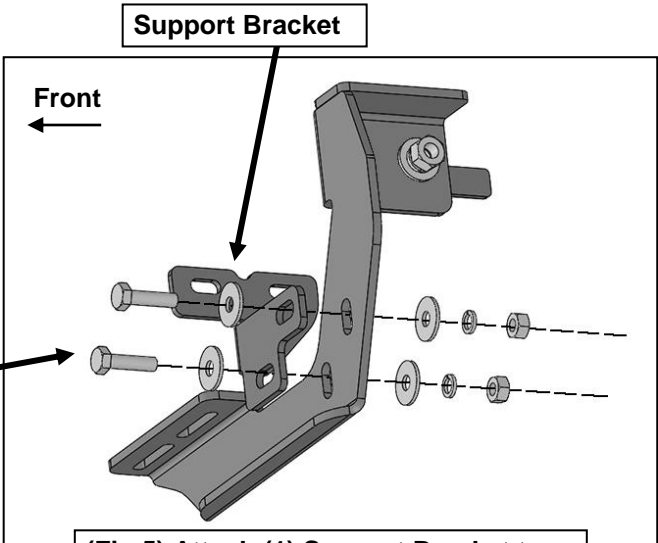
(Fig 3) 10mm Bolt Plate with Plastic Retainer



- 10mm Bolt Plate
- 10mm Plastic Retainer

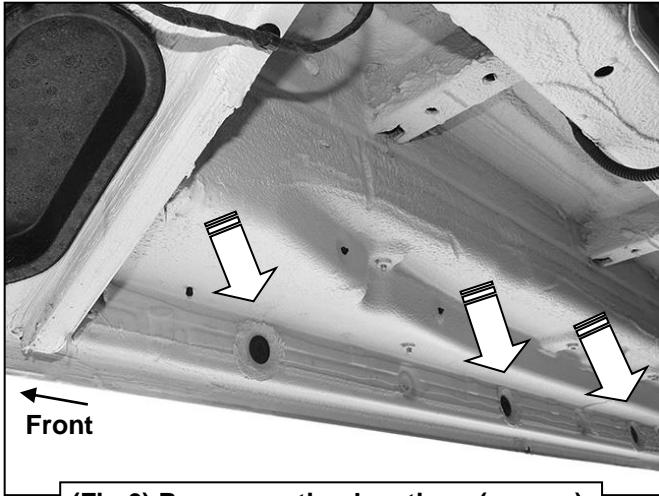
(Fig 4) Attach Passenger/Right Front Mounting Bracket to the body panel

- (2) 8mm x 30mm Hex Bolts
- (4) 8mm Flat Washers
- (2) 8mm Lock Washers
- (2) 8mm Hex Nuts

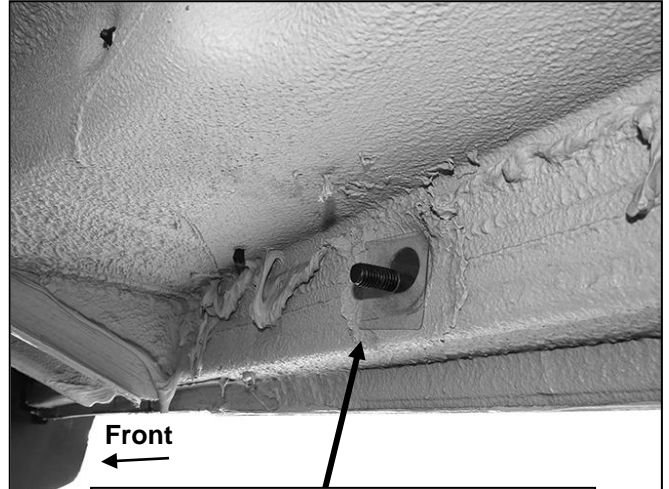


(Fig 5) Attach (1) Support Bracket to the front face of the Mounting Bracket

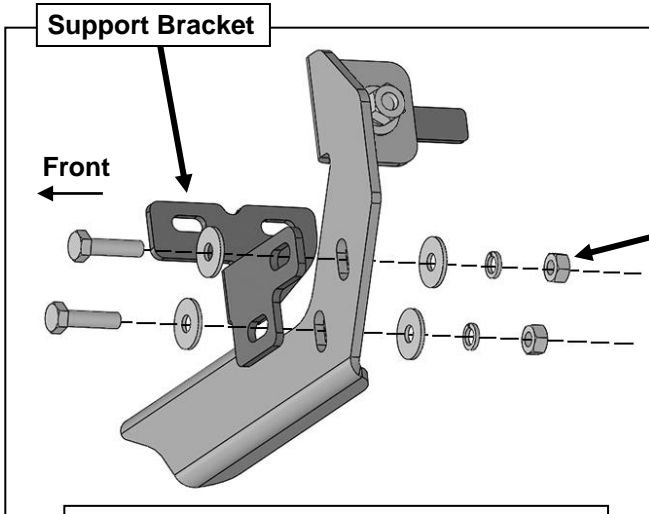
### Passenger Side Installation Pictured



(Fig 6) Rear mounting locations (arrows)



(Fig 7) Bolt Plate with Plastic Retainer inserted in #2 mounting location



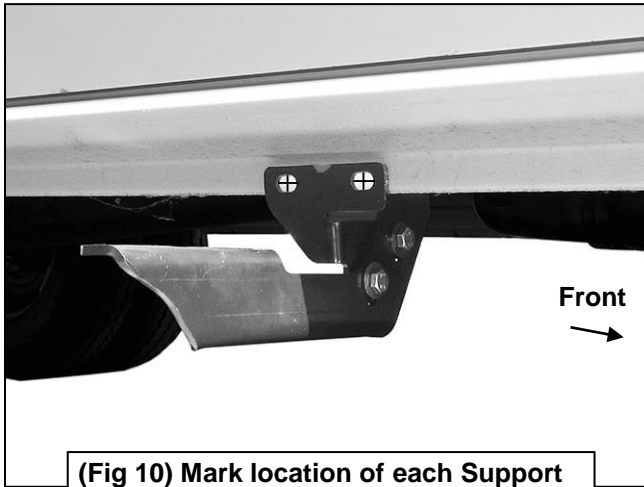
(Fig 8) Attach Support Brackets to the (3) rear Passenger/Right Mounting Bracket

- (2) 8mm x 30mm Hex Bolts
- (4) 8mm Flat Washers
- (2) 8mm Lock Washers
- (2) 8mm Hex Nuts



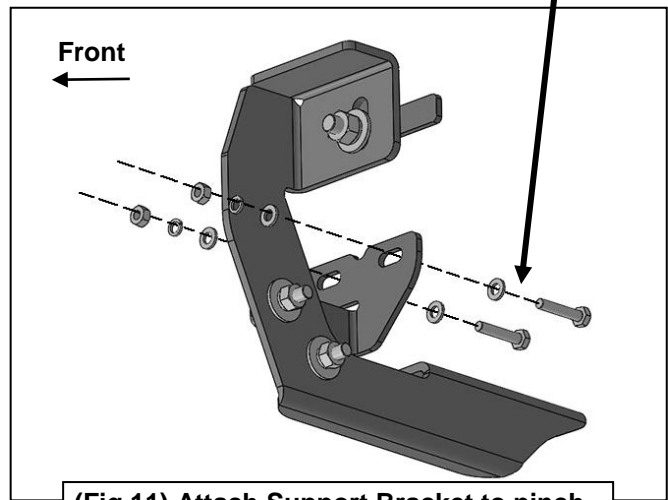
(Fig 9) Bolt Plates with Plastic Retainers installed in #3 and rear mounting locations (arrows)

### Passenger Side Installation Pictured



(Fig 10) Mark location of each Support Bracket onto pinch weld before drilling

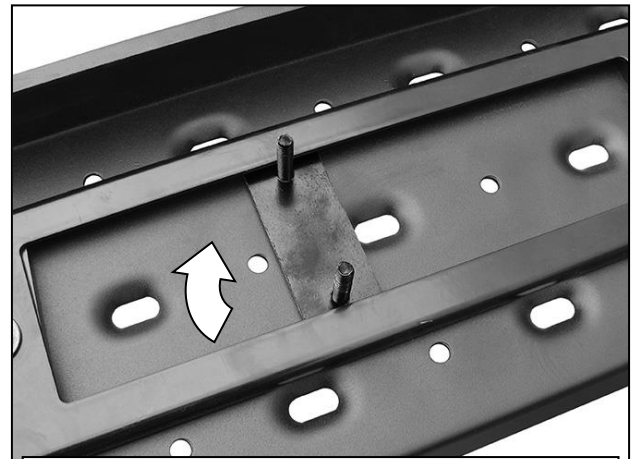
- (2) 6mm x 30mm Hex Bolts
- (4) 6mm x 18mm STD Flat Washers
- (2) 6mm Lock Washers
- (2) 6mm Hex Nuts



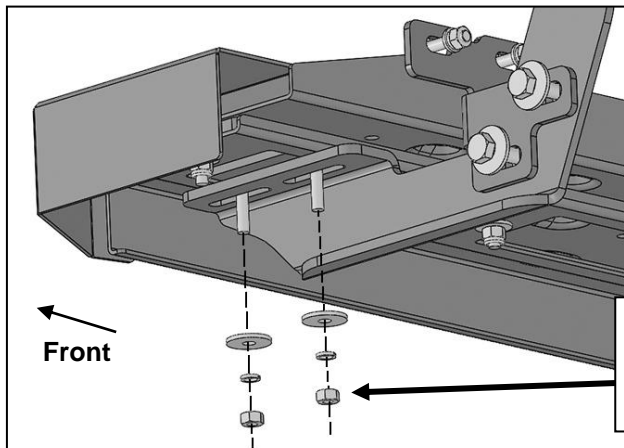
(Fig 11) Attach Support Bracket to pinch weld (passenger front Bracket illustrated)



(Fig 12) Double Bolt Plate



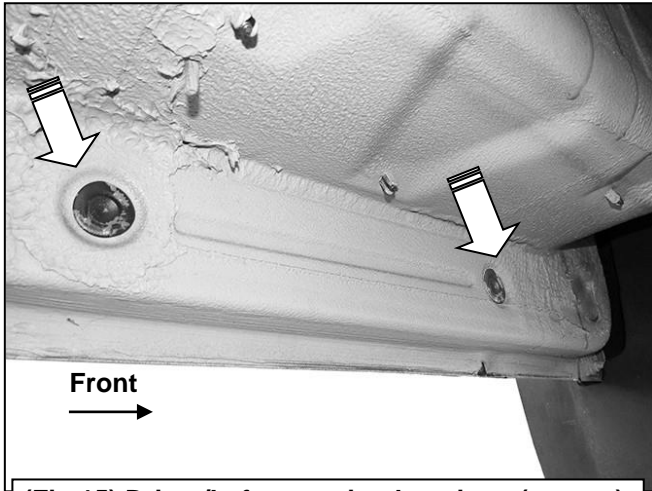
(Fig 13) Slide Double Bolt Plate into channels



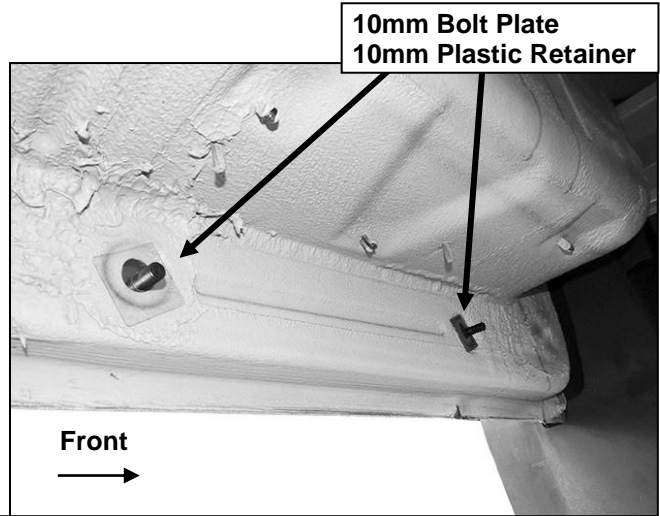
(Fig 14) Attach the Passenger/Right Running Board to the (4) Mounting Brackets

- (2) 6mm x 22mm Large Flat Washers
- (2) 6mm Lock Washers
- (2) 6mm Hex Nuts

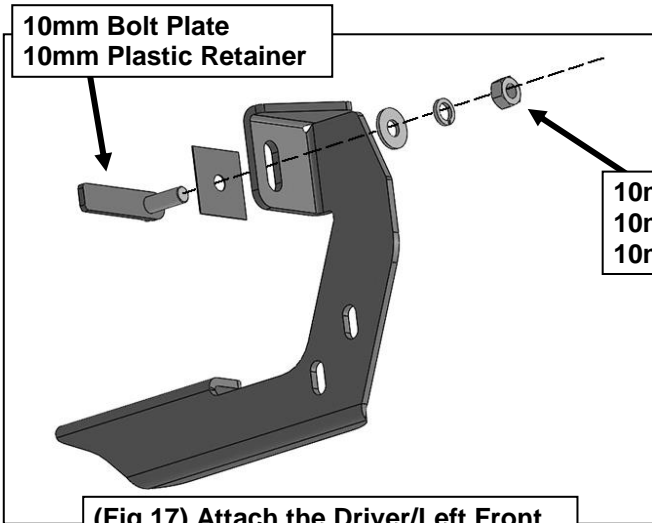
### Driver Side Installation Pictured



(Fig 15) Driver/Left mounting locations (arrows)

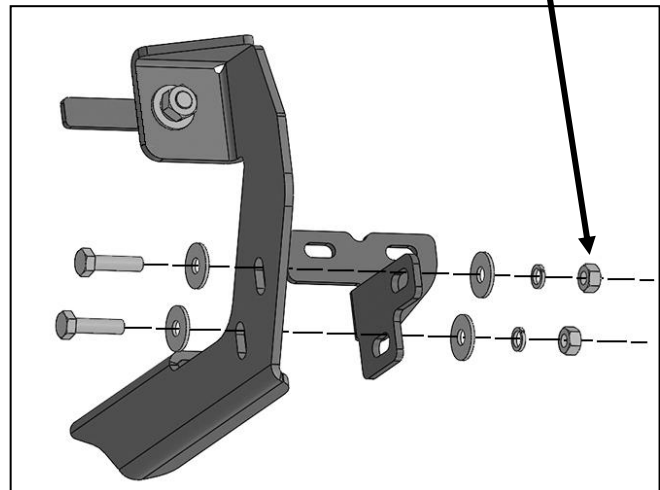


(Fig 16) Bolt Plates with Plastic Retainers inserted in Driver/Left front and rear mounting locations



(Fig 17) Attach the Driver/Left Front Mounting Bracket to the rocker panel

- (2) 8mm x 30mm Hex Bolts
- (4) 8mm Flat Washers
- (2) 8mm Lock Washers
- (2) 8mm Hex Nuts



(Fig 18) Attach (1) Support Bracket to the front face of the Mounting Bracket



**PRODUCT CARE**

- Periodically check the product to ensure all fasteners are tight and components are intact.
- Regular waxing is recommended to protect the finish of the product.
- **Use ONLY Non-Abrasive automotive wax.** Use of any soap, polish or wax that contains an abrasive is detrimental and can scratch the finish leading to corrosion.
- Mild soap may be used to clean the Black finish product.

**FAQ's****1. Hardware and mounting brackets are not aligning properly**

*Ensure that hardware is being used on the correct side of the vehicle. In some cases, the hardware may appear same for driver or passenger side but may alter the alignment of mounting location. Check mounting brackets for both sides.*

**2. Running Board is not aligning with vehicle / doors**

*Running Board may be interchanged or reversed (Driver / Passenger Side). Check Running Board for each side as well ensure the proper hardware has been used for each side.*

**3. Products are thumping / rattling after installation.**

*Ensure that all required mounting brackets / hardware's are installed & tighten correctly. Suggest using white lithium / regular grease between metal to metal contact.*

**4. Missing / Excess Hardware.**

*Recheck hardware count as per the part list.*

**5. Product not installing properly.**

*Ensure the Year / Make / Model as well as cab and bed dimensions are correct for the application. Review all steps for installation to ensure they were followed correctly.*

**6. Who should be contacted for questions regarding product / installation assistance?**

*www.trailfx.com / support@trailfx.com 1-(866) 638-4870*

Check out these other TrailFX Products!

www.trailfx.com



VINTAGE BED MATS



VAN ACCESS STEPS



TIE DOWN STRAPS



VAN RACKS

Keystone Automotive Operations Inc. (KAO) warrants this product to be free of defects in material and workmanship at the time of purchase by the original retail consumer. KAO disclaims any other warranties, express or implied, including the warranty of fitness for a particular purpose or an intended use. If the product is found to be defective, KAO may replace or repair the product at our option, when the product is returned prepaid, with proof of purchase. Alteration to, improper installation, or misuse of this product voids the warranty. KAO's liability is limited to repair or replacement of products found to be defective, and specifically excludes liability for any incidental or consequential loss or damage.