

# TOYOTA TUNDRA UNDERRAIL BEDLINER/TAILGATE COVER INSTALLATION INSTRUCTIONS

## 1. Installation Preparation

**PLEASE READ ENTIRE INSTALLATION INSTRUCTION SHEET BEFORE BEGINNING INSTALLATION. Improper installation may void warranty.**

**WARNING:** Do not transport a pick up truck facing backward with a liner installed. Air can get under the liner which may result in the liner coming out of the truck and causing damage or injury.

### Truck Box Preparation:

Clean truck box of all foreign matter and open any floor drains to ensure ventilation and moisture drainage.

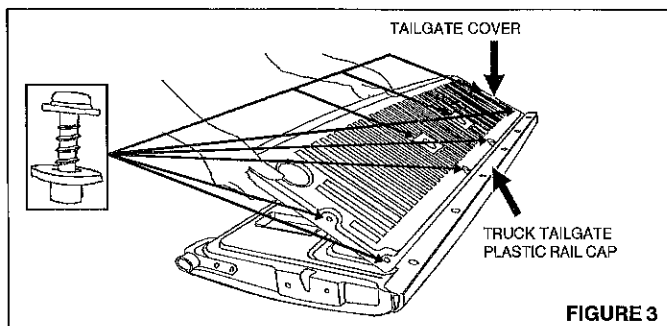
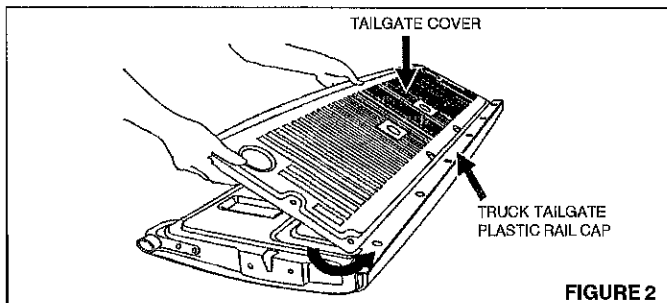
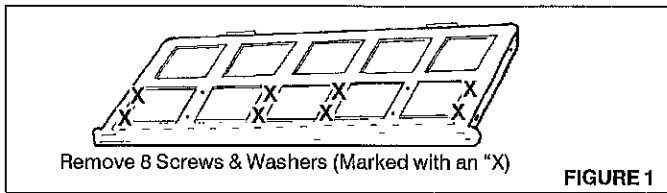
### Tools Required:

T-30 Torx Driver, Power Screwdriver. May also need small mallet and 6mm (15/64") drill bit

### Note:

Bedliner can be installed by one person. However, using two people is recommended by the manufacturer.

## 2. Tailgate Cover Installation Steps



### STEP 1

Remove Tailgate Access cover Screws. Using a T-30 Torx driver, remove the eight (8) screws/washers from the tailgate (marked "X" in Fig. 1). Be careful not to dislodge the metal access cover. Save screws/washers for re-use.

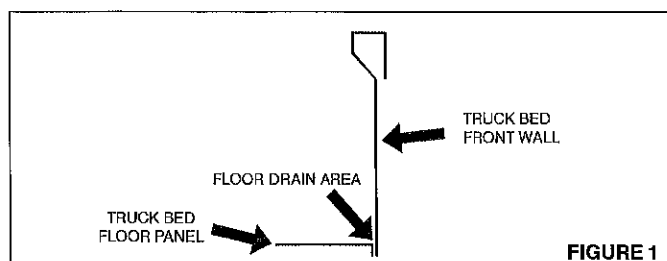
### STEP 2

The tailgate should be free from dirt and debris. Center the tailgate cover on tailgate. Align the (8) holes in tailgate cover with (8) holes in tailgate. The top edge of tailgate cover sets on top of the truck tailgate plastic rail cap. (Fig. 2)

### STEP 3

Using a T-30 Torx driver, fasten the tailgate cover to the tailgate with the (8) previously removed screw/washers. For all screw locations, place a kit supplied washer under each screw/washer as shown. (Fig. 3) Tighten the screws. Do not over-tighten.

## 3. Under Rail Bedliner Installation Steps

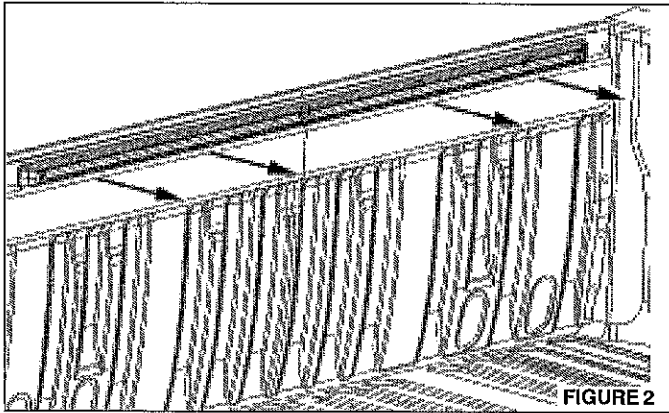


### STEP 1

Truck bed should be free of dirt and debris. The floor drains (gap between header panel and floor panel) must be clear to ensure proper drainage and ventilation. (Fig.1)

Manufactured by:

PENDA CORPORATION • P.O. Box 449, 2344 W. Wisconsin St., Portage, WI 53901-0449  
(800) 356-7704 • (800) 362-7611 (In Wisconsin) • (Internet) [www.penda.com](http://www.penda.com)



**FOR VEHICLES WITH CARGO MANAGEMENT SYSTEM:**

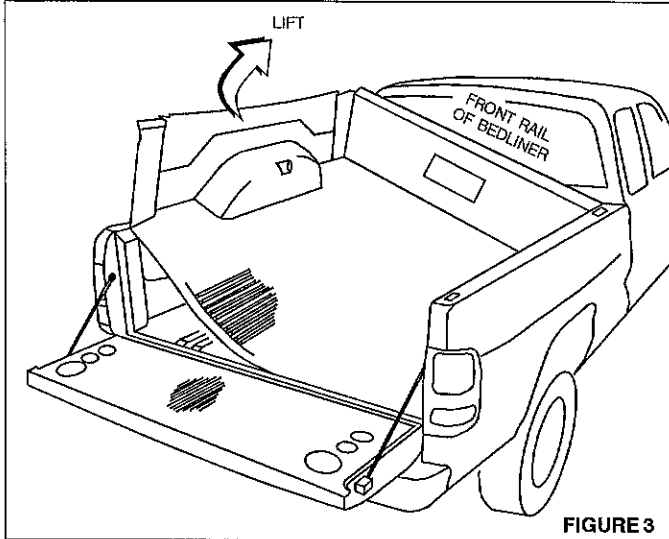
**STEP 2**

Remove the front Cargo Management Rail (C.M.R.) only.

Using a T-30 Torx driver, remove the four (4) mounting screws that fasten the front C.M.R. to the front wall of the truck. (Fig. 2)

**STEP 3**

Slide C.M.R. to right and remove. Set the C.M.R. aside for re-use. Set the screws/washers aside for re-use.



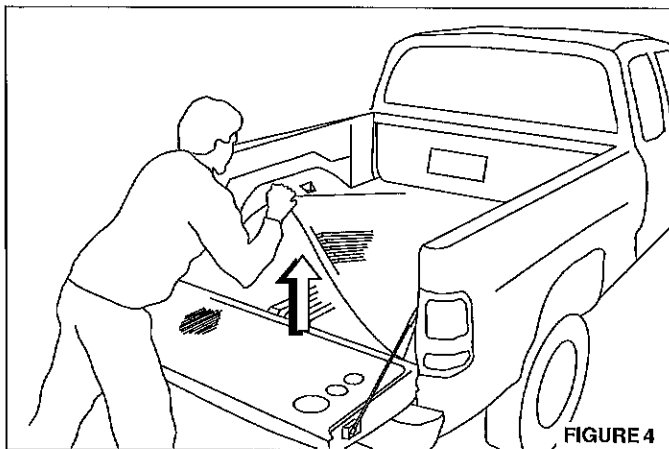
**ALL VEHICLES (STEPS 4 THROUGH 8)**

**STEP 4**

Set the bedliner in the truck box so that the front rail lip of the bedliner sets over the front rail of truck box. Note: If your vehicle is equipped with the C.M.R. System, your bedliner will not have a front rail lip.

**STEP 5**

While standing at the side of the bed, lift one side of bedliner high enough to allow the opposite side to slip under the side rail of the truck bed. Note: If your vehicle is equipped with the C.M.R. System, the bedliner sidewall will slip under the side C.M.R.. (Fig. 3)



**STEP 6**

Standing at rear of truck bed, lift up at the center of the rear edge of bedliner. Have a second person push the bedliner side wall under the side rail of the truck bed (under the side C.M.R. of vehicles so equipped). (Fig. 4)

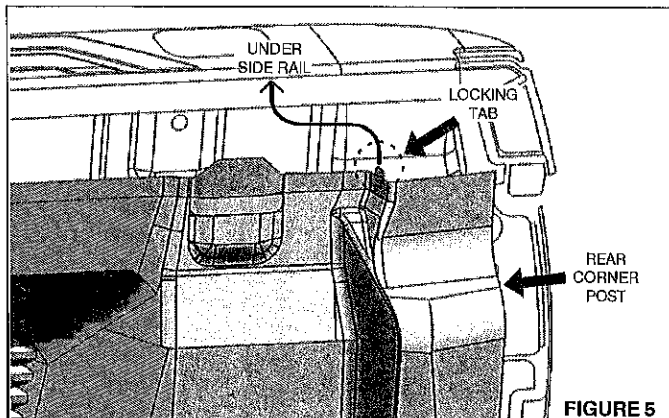
**STEP 7**

Release the floor of the bedliner.

**STEP 8**

The rear edge of the bedliner may have some distortion. This is normal and will minimize with time and use. (heat/cool cycles).

The raised locking tab at the front of the rear corner post must be installed fully under the side rail of truck bed. (Fig. 5)



**FOR VEHICLES WITHOUT CARGO MANAGEMENT SYSTEM, SKIP TO STEP 20.**

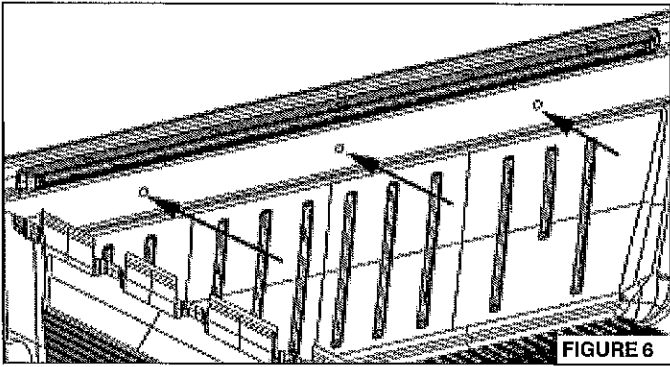


FIGURE 6

**FOR VEHICLES WITH CARGO MANAGEMENT SYSTEM AND NO "Z" BRACKET IN KIT.**

**STEP 9**

There are three (3) pre-drilled holes in the front wall of the bedliner for placement of the self tapping screws provided in the kit. (Fig. 6). Using a power screwdriver, center a self tapping screw in the center pre-drilled hole in the bedliner front wall and fasten to the truck bed front wall. (Do Not overtighten as screws can be stripped out.)

**STEP 10**

Repeat process to holes to the left and right of the center hole.

**STEP 11**

Re-install front C.M.R., centering the peg on the front wall of truck bed and re-installing the four previously removed screws that were set aside for re-installation.

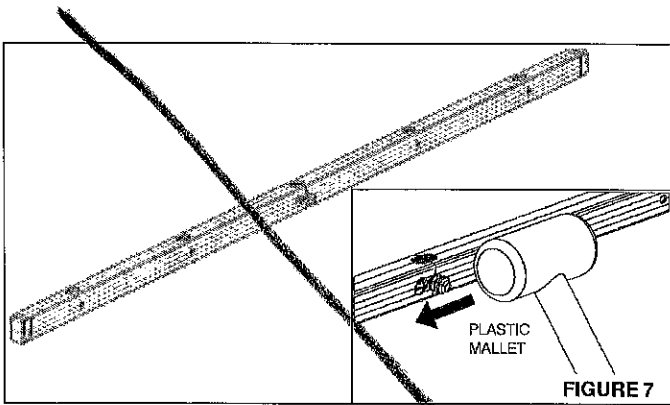


FIGURE 7

**FOR VEHICLES WITH CARGO MANAGEMENT SYSTEM AND "Z" BRACKET IN KIT:**

*No LONGER AVAILABLE*

**STEP 12**

From the back side of the front C.M.R., using a plastic mallet, lightly tap the center peg towards the larger opening in center "keyhole" in the C.M.R.. (Fig. 7)

**STEP 13**

Remove and discard the peg. Using a 6MM OR 15/64" bit, enlarge the smaller end of the keyhole. (Fig. 8)

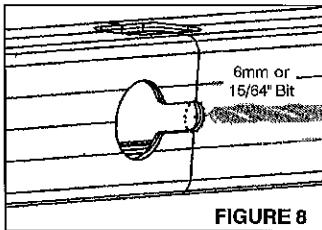


FIGURE 8

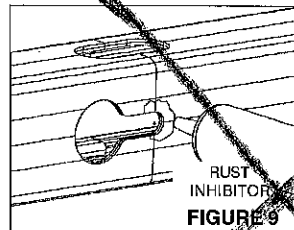


FIGURE 9

**STEP 14**

Apply rust inhibitor to the exposed areas of the keyhole not covered by paint. (Fig. 9)

**STEP 15**

Align the front C.M.R. over the "Z" bracket as shown. (Fig. 10)

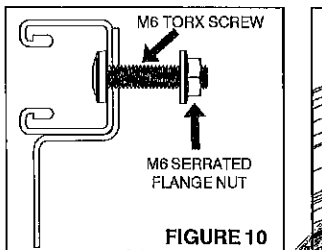


FIGURE 10

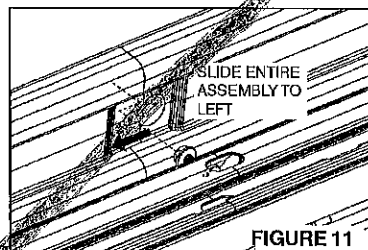


FIGURE 11

**STEP 16**

Insert the included M6 Torx screw through the enlarged C.M.R. center hole, the "Z" bracket center hole and loosely thread the included nut onto the screw (until the end of the screw is flush with the back of the nut). (Fig. 11)

**STEP 17**

Align the front C.M.R./Z bracket assembly over the front wall of truck box as shown, (Fig. 10)

**STEP 18**

Ensure the front wall of the bedliner is between the front wall of truck box and the "Z" bracket. (Fig. 11 and Fig. 12)

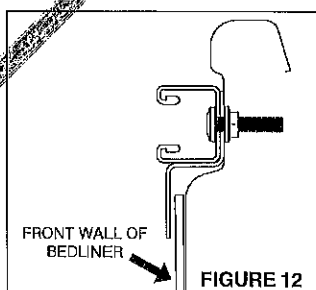
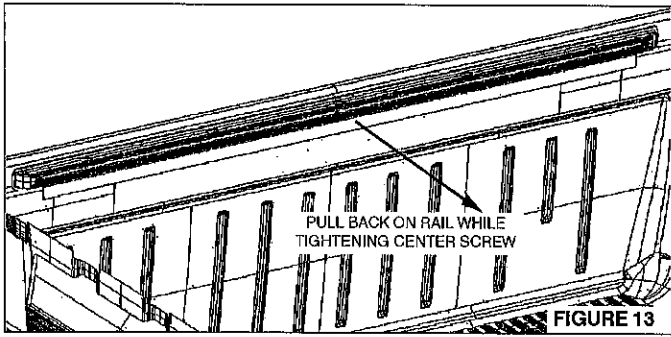


FIGURE 12



**STEP 19**

Re-install the (4) previously removed Torx screws through the front C.M.R./"Z" bracket, into the front wall of truck box and tighten. (Fig. 13 & 14)

**NOTE:**

Torque all (5) screws to 66 lbs-in (62 lbs-in Min./ 75 lbs-in Max.)

**ALL TRUCKS:**

**STEP 20**

Align rear bottom edge of bedliner parallel to rear edge of truck bed.  
Check for no interference between closed tailgate and bedliner.

