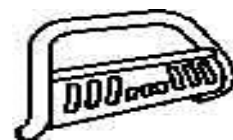




# 3" Bull Bar

## Part No. 1350521991



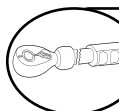
**Fits: 1999 – 2006 Toyota Tundra**  
**2001 – 2007 Toyota Sequoia**



REMOVE CONTENTS FROM BOX. VERIFY ALL PARTS ARE PRESENT.



READ INSTRUCTIONS CAREFULLY BEFORE STARTING INSTALLATION.



DO NOT OVER TORQUE. STANDARD OPERATING LOAD FOR TIGHTEN BODY MOUNT NUTS & BOLTS VARIES FROM 45 TO 65 FOOT POUND.



30-60 min



Cutting Not Required



Drilling Not Required



support@trailfx.com



1 866 638 4870



POLISHED STAINLESS STEEL – LIMITED LIFETIME  
 POWDER COATED BLACK – 3 YEARS

### PARTS LIST:

Qty	Part Description	Qty	Part Description
1	Bull Bar	2	12-1.75mm x 50mm Head Hex Bolts
1	Passenger/Right Mounting Bracket	4	12mm Lock Washers
1	Driver/Left Mounting Bracket	4	12mm Flat Washers
2	12mm-1.25mm x 30mm Head Hex Bolts		

**Passenger Side Bracket**

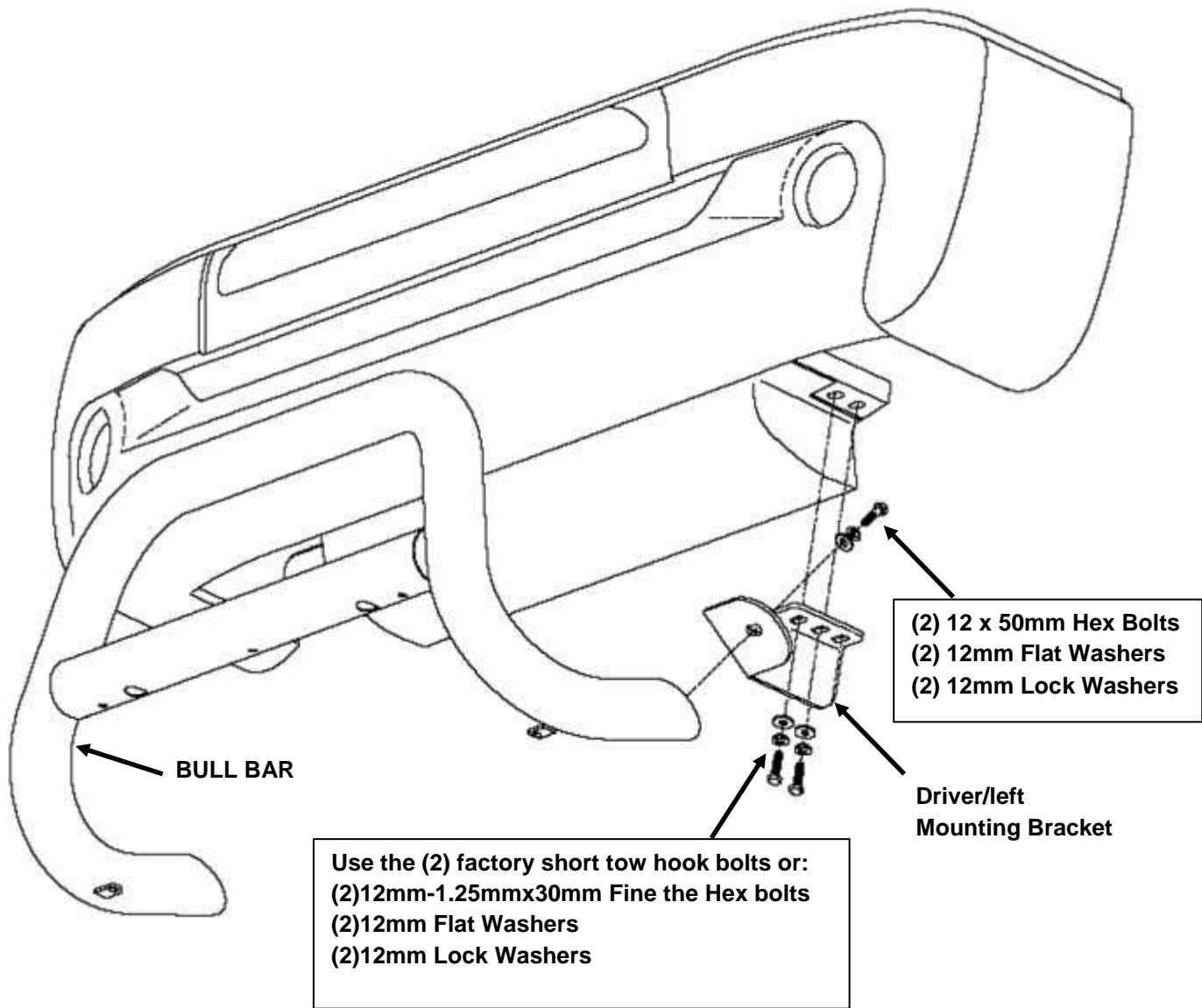


**Driver Side Bracket**



### INSTALLATION PROCEDURE

- NOTE:** It may be necessary to remove/relocate. front license plate and license plate bracket. It is not required, but strongly recommended. If local/state law requires a license plate, license plate relocation kit is available.
- Remove the factory tie down loop from the bottom of the passenger side frame channel. Select the (2) short factory 12mm hex bolts from the tie down loop. Identify the passenger side Frame Mounting Bracket and bolt it to the bottom of the frame channel with the (2) factory hex bolts. Do not tighten hardware at this time. **NOTE:** For additional adjustment, the Brackets have (2) mounting positions available for different model-years. Use the center and front slots to install the bracket and if clearance is an issue, use the center and rear slot to move the Bull Bar away from the vehicle.
- Repeat **Step 2** for driver side Frame Bracket installation and use the included (2) 12-1.25mm x 30mm Hex Bolts, (2) 12mm Lock Washers and (2) 12mm Flat Washers to bolt Bracket to bottom of frame.
- With assistance, position the Bull Bar up to the Mounting Brackets. Attach the Bull Bar to the 12mm Lock hex Bolts, (2) Mounting Brackets using the included (2) 12-1.75mm x 50mm Washers and (2) 12mm Flat Washers.
- Level and adjust the Bull Bar properly and tighten all hardware at this time. See Step 2 for adjustment information.



**PRODUCT CARE**

- Periodically check the product to ensure all fasteners are tight and components are intact.
- Regular waxing is recommended to protect the finish of the product.
- **Use ONLY Non-Abrasive automotive wax.** Use of any soap, polish or wax that contains an abrasive is detrimental and can scratch the finish leading to corrosion.
- Aluminum polish may be used to polish small scratches and scuffs for **Stainless Steel finish.**
- Mild soap may be used to clean the product for both **Stainless Steel and Black finish.**

**FAQ's****1. Hardware's are not of correct size.**

*In GMC / Chevrolet truck model 2006 & up, customer needs to reuse the factory body bolts to install the bracket. If your vehicle is not GMC / Chevrolet 2006 & up, ensure that holes are not partially covered with any plastic grommet or rust? If it is, remove the plastic grommet & rust from the thread holes & re-try the installation.*

**2. Mounting Bracket are not getting Installed properly.**

*In some cases Illustration images shown in Installation manual may not be the exactly same as per actual vehicle images ,also if Driver / Passenger side mounting brackets are very identical in the design, suggest referring Parts Identification guide to avoid fitment issue.*

**3. Products are thumping / rattling after installation.**

*Ensure that all required mounting brackets / hardware's are installed & tighten correctly. Suggest using white lithium / regular grease between the metal to metal contact surfaces.*

**4. Side Bar is not aligning with vehicle / Step Pads are not aligning with vehicle doors.**

*Side bar may be interchanged or mounting brackets are not installed at the correct position in the vehicle. Refer Parts identification guide.*

**5. Missing / Excess Hardware.**

*Recheck hardware count as per the part list.*

**6. Product not installing properly.**

*Ensure make model year, cab length and bed size of your vehicle is listed in the application. All installation steps are followed correctly.*

**Check out these other TrailFX Products!!**

www.TrailFX.com

**SIDE BARS****ROCKER GUARD****HEADACHE RACKS****RUNNING BOARDS**

*Keystone Automotive Operations Inc. (KAO) warrants this product to be free of defects in material and workmanship at the time of purchase by the original retail consumer. KAO disclaims any other warranties, express or implied, including the warranty of fitness for a particular purpose or an intended use. If the product is found to be defective, KAO may replace or repair the product at our option, when the product is returned prepaid, with proof of purchase. Alteration to, improper installation, or misuse of this product voids the warranty. KAO's liability is limited to repair or replacement of products found to be defective, and specifically excludes liability for any incidental or consequential loss or damage.*