



3" Bull Bar

Part No. 8956222



Fits: 2005 – 2015

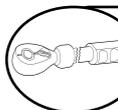
Toyota Tacoma (Not compatible with optional full coverage factory aluminum skid plate. Optional skid plate must be removed and cannot be reinstalled.)



REMOVE CONTENTS FROM BOX. VERIFY ALL PARTS ARE PRESENT.



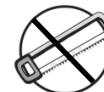
READ INSTRUCTIONS CAREFULLY BEFORE STARTING INSTALLATION.



DO NOT OVER TORQUE. STANDARD OPERATING LOAD FOR TIGHTEN BODY MOUNT NUTS & BOLTS VARIES FROM 45 TO 65 FOOT POUND.



30-60 min



Cutting Not Required



Drilling Not Required



support@trailfx.com



1 866 638 4870



POLISHED STAINLESS STEEL – LIMITED LIFETIME
POWDER COATED BLACK – 3 YEARS

PARTS LIST:

Qty	Part Description	Qty	Part Description
1	Bull Bar	2	10mm x 25mm OD x 2.5mm Small Flat Washers
1	Driver/Left Mounting Bracket	10	10mm x 20mm OD x 2mm Large Flat Washers
1	Passenger/Right Mounting Bracket	6	10mm Lock Washers
2	10mm x 120mm Head Hex Bolts	6	10mm Nuts
4	10mm x 30mm Head Hex Bolts	4	12mm Spacer Washers



Passenger/Right
Mounting Bracket

(4) 12mm Spacer
Washers



Driver/Left
Mounting Bracket

INSTALLATION PROCEDURE

- Start installation at the driver side, front of the vehicle and remove the (2) factory bumper mount hex nuts located toward the outside of the bumper mount and frame channel, **(Figures 1 & 7)**. **NOTE:** It may be necessary to remove the factory tow hook from the passenger side. Select the driver side frame mounting bracket and hang it from the (2) threaded studs. Secure the Bracket to the (2) threaded studs with the (2) factory hex nuts, **(Figures 2 & 7)**. Do not tighten hardware at this time.
- Select (1) 12mm Spacer Washer. Insert the 12mm Spacer Washer between the Mounting Bracket and the frame channel, **(Figures 3, 4 & 7)**. Insert (1) 10mm x 120mm Hex Bolt and (1) 10mm x 30mm OD Large Flat Washer through the oval hole in the Mounting Bracket, the Spacer Washer and into the large hole in the end of the frame channel, **(Figures 4, 5 & 7)**. Place (1) 12mm Spacer Washer over the 10mm Hex Bolt covering the opening in the back of the frame channel. Secure the Hex Bolt to the frame channel with (1) 10mm x 20mm OD Small Flat Washer, (1) 10mm Lock Washer and (1) 10mm Hex Nut, **(Figures 4, 6 & 7)**. Snug but do not tighten all of the hardware. Repeat **Steps 1 – 2** for passenger side Mounting Bracket installation. Reinstall the factory tow hook removed in **Step 2**.
- With assistance, line up the mounting tabs on the Bull Bar with the outside of the (2) previously installed Frame Mounting Brackets. Bolt the Bull Bar to the Frame Mounting Brackets with the included (4) 10mm x 30mm Hex Bolts, (8) 10mm x 20mm OD Small Flat Washers, (4) 10mm Lock Washers and (4) 10mm Hex Nuts, **(Figure 7)**. Snug but do not tighten hardware at this time.
- Level and adjust the Bull Bar properly and tighten all hardware.

Driver Side Installation Pictured

Remove (2) factory hex nuts on outside of frame

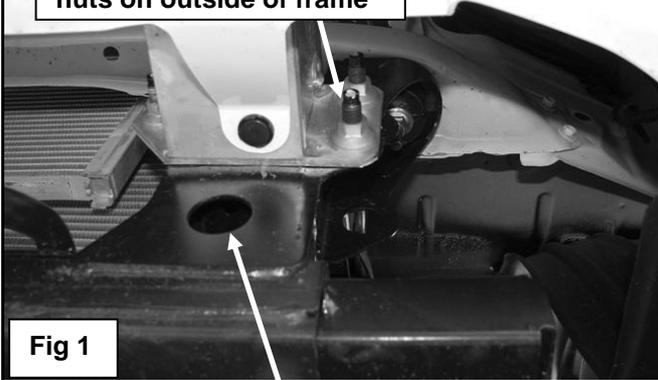


Fig 1

Spacer Washer will cover this opening in

Factory Hex Nuts

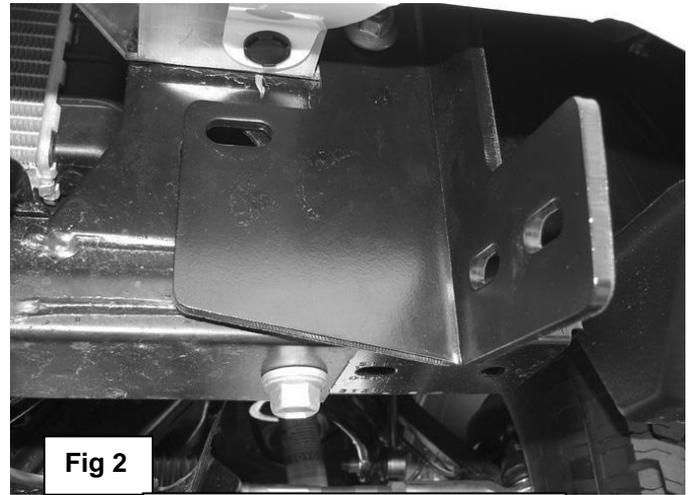


Fig 2

10mm x 120mm Hex Bolt
10mm Large Flat Washer

Insert 12mm Spacer Washer between the Mounting Bracket and the frame



Fig 3

10mm x 120mm Hex Bolt
10mm x 25mm Large Flat Washer
12mm Spacer Washers

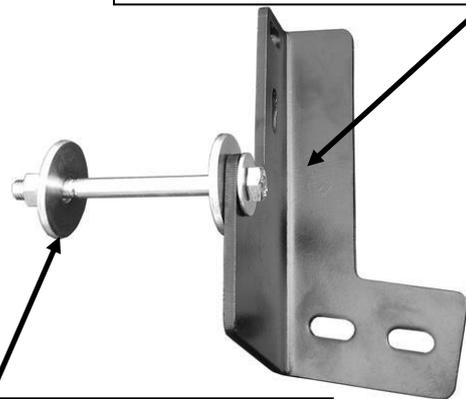


Fig 4

10mm Hex Nut
10mm Lock Washer
10mm x 20mm Small Flat Washer
12mm Spacer Washers

Driver Side Installation Pictured

10mm x 120mm Hex Bolt
10mm x 25mm Large Flat Washer



Fig 5

10mm Hex Nut
10mm Lock Washer
10mm x 20mm Small Flat Washer
12mm Spacer Washers

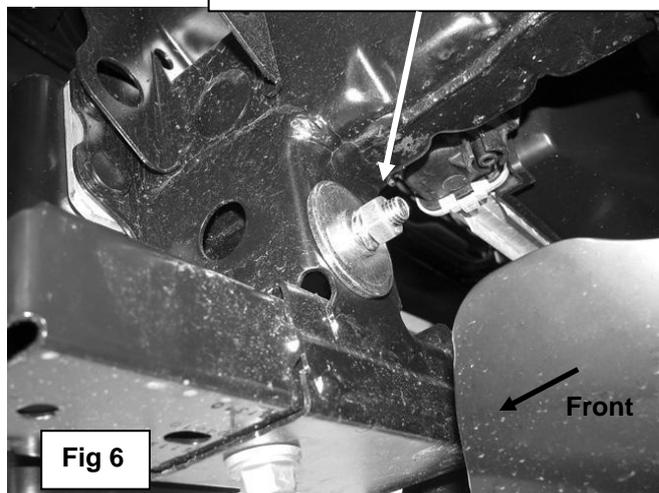
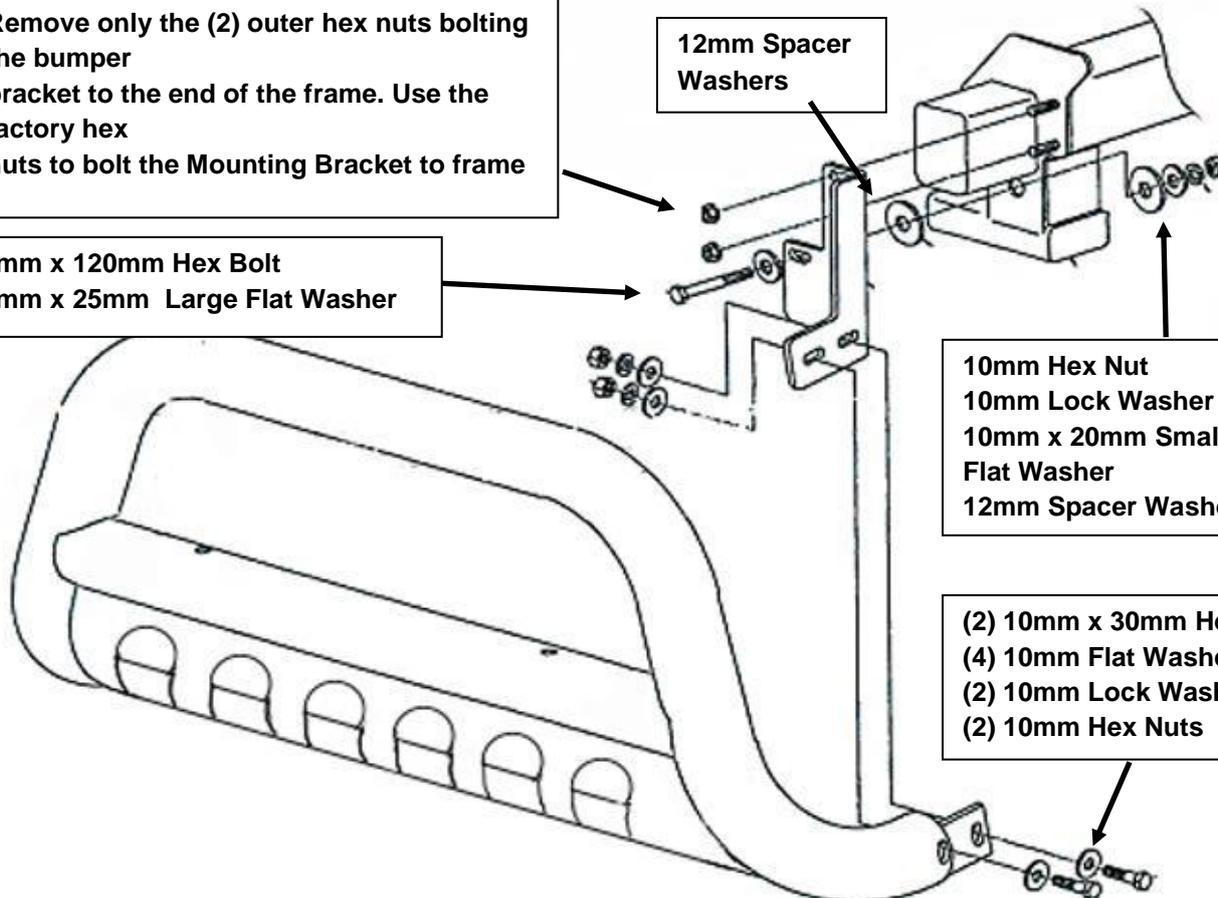


Fig 6

12mm Spacer Washers

Remove only the (2) outer hex nuts bolting the bumper bracket to the end of the frame. Use the factory hex nuts to bolt the Mounting Bracket to frame

10mm x 120mm Hex Bolt
10mm x 25mm Large Flat Washer



12mm Spacer Washers

10mm Hex Nut
10mm Lock Washer
10mm x 20mm Small Flat Washer
12mm Spacer Washers

(2) 10mm x 30mm Hex Bolts
(4) 10mm Flat Washers
(2) 10mm Lock Washers
(2) 10mm Hex Nuts

PRODUCT CARE

- Periodically check the product to ensure all fasteners are tight and components are intact.
- Regular waxing is recommended to protect the finish of the product.
- **Use ONLY Non-Abrasive automotive wax.** Use of any soap, polish or wax that contains an abrasive is detrimental and can scratch the finish leading to corrosion.
- Aluminum polish may be used to polish small scratches and scuffs for **Stainless Steel finish.**
- Mild soap may be used to clean the product for both **Stainless Steel and Black finish.**

FAQ's**1. Hardware's are not of correct size.**

In GMC / Chevrolet truck model 2006 & up, customer needs to reuse the factory body bolts to install the bracket. If your vehicle is not GMC / Chevrolet 2006 & up, ensure that holes are not partially covered with any plastic grommet or rust? If it is, remove the plastic grommet & rust from the thread holes & re-try the installation.

2. Mounting Bracket are not getting Installed properly.

In some cases Illustration images shown in Installation manual may not be the exactly same as per actual vehicle images ,also if Driver / Passenger side mounting brackets are very identical in the design, suggest referring Parts Identification guide to avoid fitment issue.

3. Products are thumping / rattling after installation.

Ensure that all required mounting brackets / hardware's are installed & tighten correctly. Suggest using white lithium / regular grease between the metal to metal contact surfaces.

4. Side Bar is not aligning with vehicle / Step Pads are not aligning with vehicle doors.

Side bar may be interchanged or mounting brackets are not installed at the correct position in the vehicle. Refer Parts identification guide.

5. Missing / Excess Hardware.

Recheck hardware count as per the part list.

6. Product not installing properly.

Ensure make model year, cab length and bed size of your vehicle is listed in the application. All installation steps are followed correctly.

Check out these other TrailFX Products!!

www.TrailFX.com

**SIDE BARS****ROCKER GUARD****HEADACHE RACKS****RUNNING BOARDS**

Keystone Automotive Operations Inc. (KAO) warrants this product to be free of defects in material and workmanship at the time of purchase by the original retail consumer. KAO disclaims any other warranties, express or implied, including the warranty of fitness for a particular purpose or an intended use. If the product is found to be defective, KAO may replace or repair the product at our option, when the product is returned prepaid, with proof of purchase. Alteration to, improper installation, or misuse of this product voids the warranty. KAO's liability is limited to repair or replacement of products found to be defective, and specifically excludes liability for any incidental or consequential loss or damage.