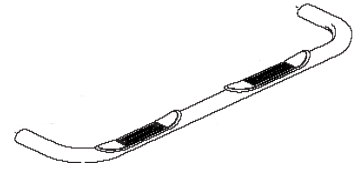




# 3" Nerf Bar

Part No. A0005S/B



Fits: 2005-Current  
2005-2012

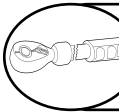
Nissan Frontier Crew Cab  
Suzuki Equator Crew Cab



REMOVE CONTENTS FROM BOX. VERIFY ALL PARTS ARE PRESENT.



READ INSTRUCTIONS CAREFULLY BEFORE STARTING INSTALLATION.



DO NOT OVER TORQUE. STANDARD OPERATING LOAD FOR TIGHTEN BODY MOUNT NUTS & BOLTS VARIES FROM 45 TO 65 FOOT POUND.



60-180 min



Cutting Not Required



Drilling Not Required



support@trailfx.com



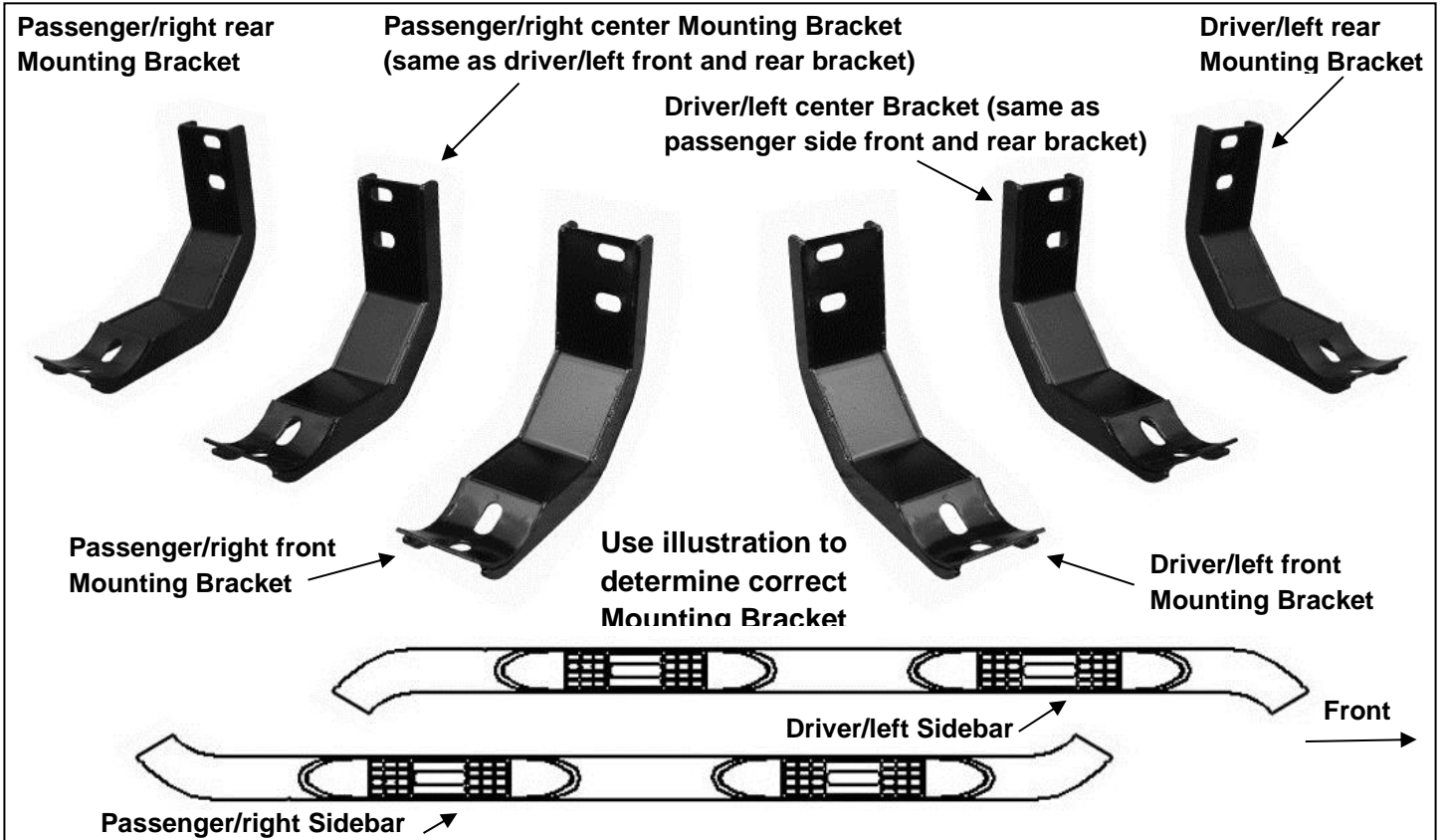
1 866 638 4870



POLISHED STAINLESS STEEL - LIMITED LIFETIME  
POWDER COATED BLACK - 3 YEARS

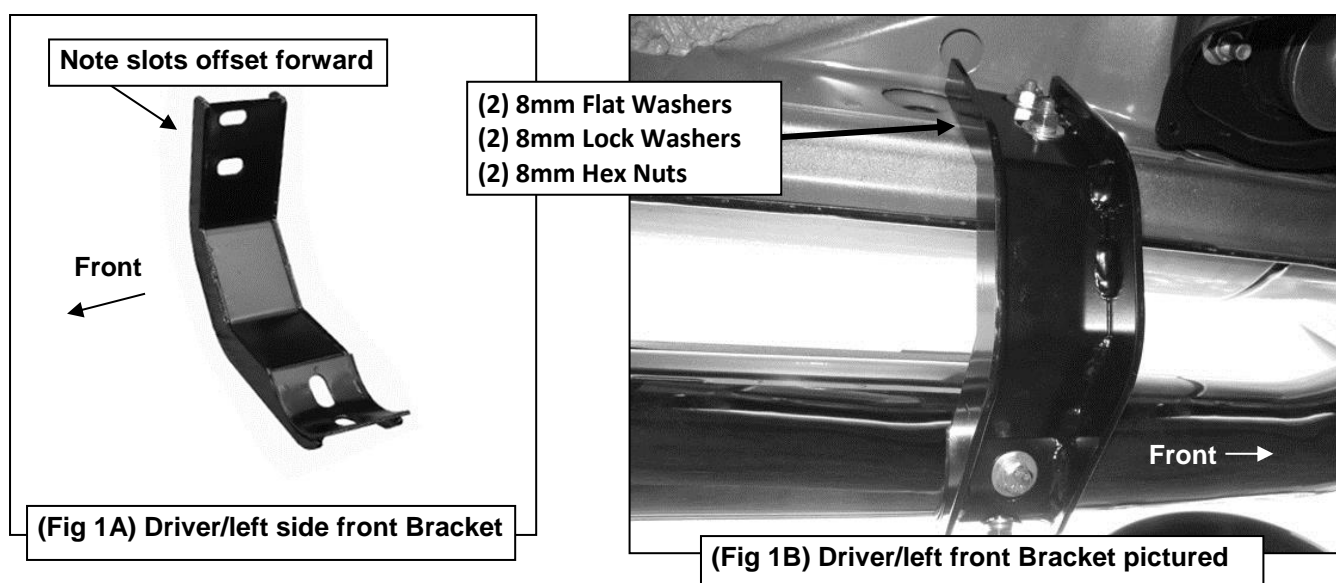
### PARTS LIST:

Qty	Part Description	Qty	Part Description
1	Driver/Left Side Bar	12	8-1.25mm x 30mm Hex Bolts
1	Passenger/Right Side Bar	24	8 x 24mm OD x 2mm Flat Washers
3	Left Offset Mounting Brackets	24	8mm Lock Washers
3	Right Offset Mounting Bracket	12	8-1.25mm Hex Nuts

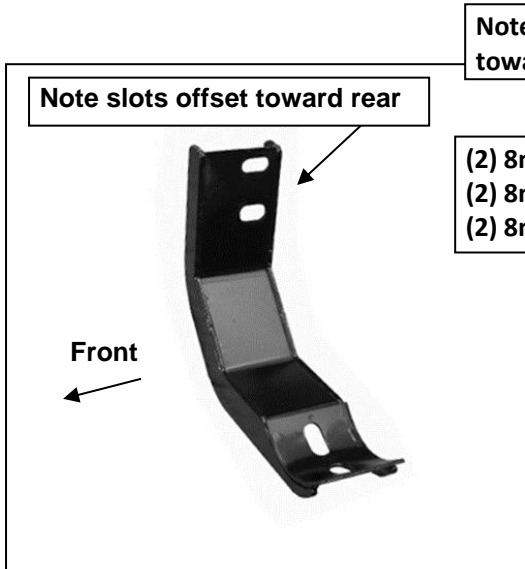


**INSTALLATION PROCEDURE:**

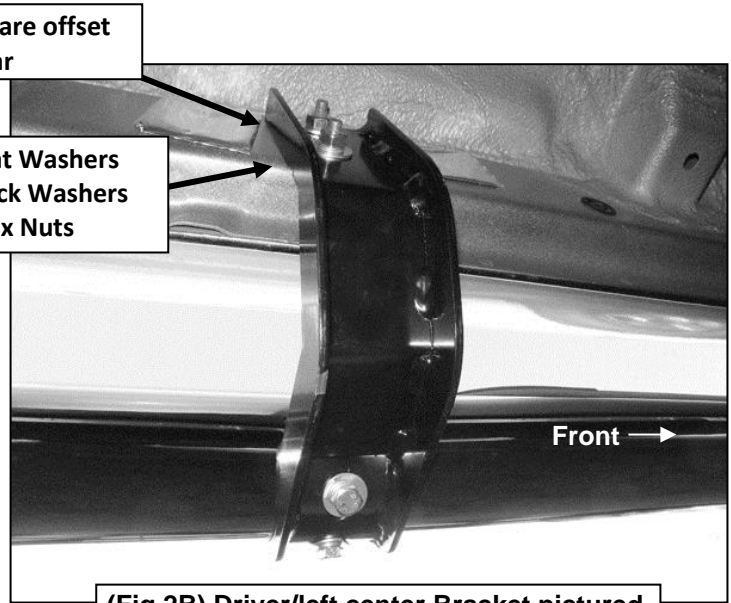
1. Remove the existing factory running boards or side steps if equipped. Place Brackets on the ground in the order as pictured above.
2. Select the driver side front Mounting Bracket, **(Figure 1A)**. Attach the Bracket to the threaded studs at the front mounting location, **(Figure 1B)**, with the included (2) 8mm Flat Washers, (2) 8mm Lock Washers and (2) 8mm Hex Nuts. Do not tighten at this time. **IMPORTANT:** Top mounting holes in Brackets are off set toward the front or back, **(Figures 1A and 2A)**. Use the illustrations to select the proper Mounting Bracket for each location.
3. Repeat **Step 3** for the driver side center, **(Figures 2A and 2B)**, and rear Mounting Bracket installation, **(Figures 3A & 3B)**. **IMPORTANT:** Use the illustrations to select the proper Mounting Bracket for all locations. Center Bracket installation is unique.
4. Carefully place the driver Sidebar onto the Mounting Brackets. Bolt the Sidebar to the Brackets with the included (6) 8mm Hex Bolts, (6) 8mm Lock Washers and (6) 8mm Flat Washers, **(Figure 3B)**. Snug hardware but do not tighten.
5. Level and adjust the Sidebars as desired and tighten all hardware.
6. Repeat **Steps 2 - 6** for passenger Sidebar installation.
7. Do periodic inspections to the installation to make sure that all hardware is secure and tight.

**Driver Side Installation Pictured**

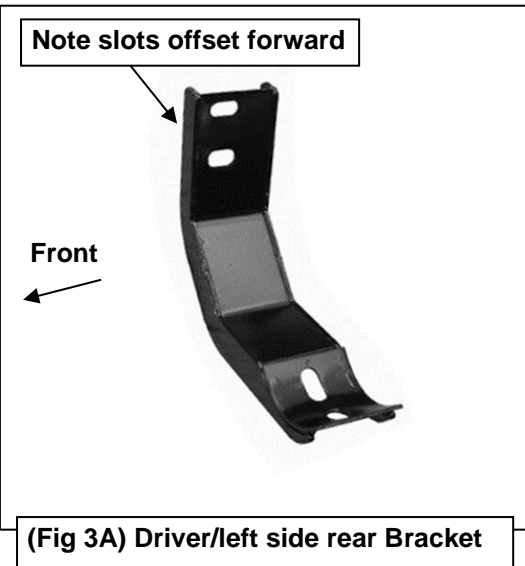
### Driver Side Installation Pictured



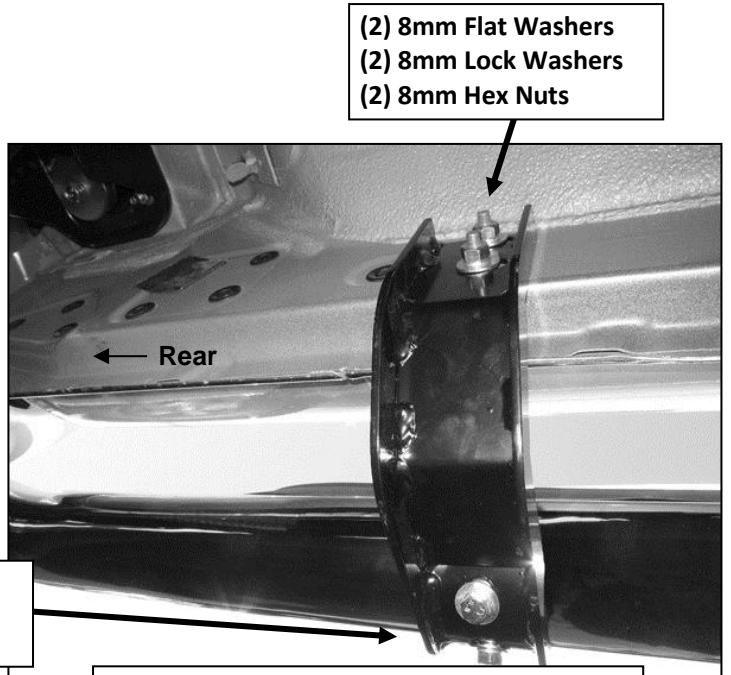
(Fig 2A) Driver/left center Bracket pictured



(Fig 2B) Driver/left center Bracket pictured



(Fig 3A) Driver/left side rear Bracket



(Fig 3B) Driver/left rear Bracket pictured

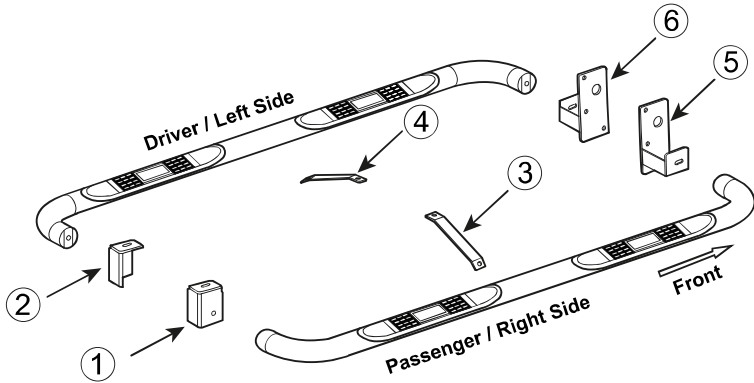
(2) 8mm x 30mm Hex Bolts  
(2) 8mm Lock Washers  
(2) 8mm Flat Washers



No.	Parts Identification
1	Passenger / Right 'Rear' Bracket marked "PR"
2	Driver / Left 'Rear' Bracket marked "DR"
3	Passenger / Right 'Center' Bracket marked "PC"
4	Driver / Left 'Center' Bracket marked "DC"
5	Passenger / Right 'Front' Bracket marked "PF"
6	Driver / Left 'Front' Bracket marked "DF"

**Note:**

- This guide is to identify the parts and not a reference for part count.
- For part count, refer Parts List.
- Product / Bracket image is representative and actual design may vary.



### PRODUCT CARE

- Periodically check the product to ensure all fasteners are tight and components are intact.
- Regular waxing is recommended to protect the finish of the product.
- **Use ONLY Non-Abrasive automotive wax.** Use of any soap, polish or wax that contains an abrasive is detrimental and can scratch the finish leading to corrosion.
- Aluminum polish may be used to polish small scratches and scuffs for **Stainless Steel finish.**
- Mild soap may be used to clean the product for both **Stainless Steel and Black finish.**

### FAQ's

**1. Hardware's are not of correct size.**

*In GMC / Chevrolet truck model 2006 & up, customer needs to reuse the factory body bolts to install the bracket. If your vehicle is not GMC / Chevrolet 2006 & up, ensure that holes are not partially covered with any plastic grommet or rust? If it is, remove the plastic grommet & rust from the thread holes & re-try the installation.*

**2. Mounting Bracket are not getting Installed properly.**

*In some cases Illustration images shown in Installation manual may not be the exactly same as per actual vehicle images ,also if Driver / Passenger side mounting brackets are very identical in the design, suggest referring Parts Identification guide to avoid fitment issue.*

**3. Products are thumping / rattling after installation.**

*Ensure that all required mounting brackets / hardware's are installed & tighten correctly. Suggest using white lithium / regular grease between the metal to metal contact surfaces.*

**4. Side Bar is not aligning with vehicle / Step Pads are not aligning with vehicle doors.**

*Side bar may be interchanged or mounting brackets are not installed at the correct position in the vehicle. Refer Parts identification guide.*

**5. Missing / Excess Hardware.**

*Recheck hardware count as per the part list.*

**6. Product not installing properly.**

*Ensure make model year, cab length and bed size of your vehicle is listed in the application. All installation steps are followed correctly.*

### Check out these other TrailFX Products!!

www.TrailFX.com



Keystone Automotive Operations Inc. (KAO) warrants this product to be free of defects in material and workmanship at the time of purchase by the original retail consumer. KAO disclaims any other warranties, express or implied, including the warranty of fitness for a particular purpose or an intended use. If the product is found to be defective, KAO may replace or repair the product at our option, when the product is returned prepaid, with proof of purchase. Alteration to, improper installation, or misuse of this product voids the warranty. KAO's liability is limited to repair or replacement of products found to be defective, and specifically excludes liability for any incidental or consequential loss or damage.