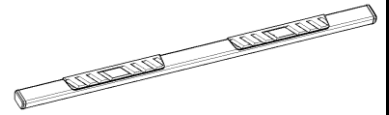




4" Side Bar

Part No. A5002S



Fits: **2007 - Current** **Chevrolet Silverado 1500/2500/3500 Crew Cab 8' Long Bed**
2007 - Current **GMC Sierra 1500/2500/3500 Crew Cab 8' Long Bed**



ASSISTANCE IS RECOMMENDED.



60-180 min



Cutting Required



Drilling Required



REMOVE CONTENTS FROM BOX. VERIFY ALL PARTS ARE PRESENT.



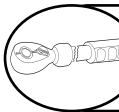
support@trailfx.com



READ INSTRUCTIONS CAREFULLY BEFORE STARTING INSTALLATION.



1 866 638 4870



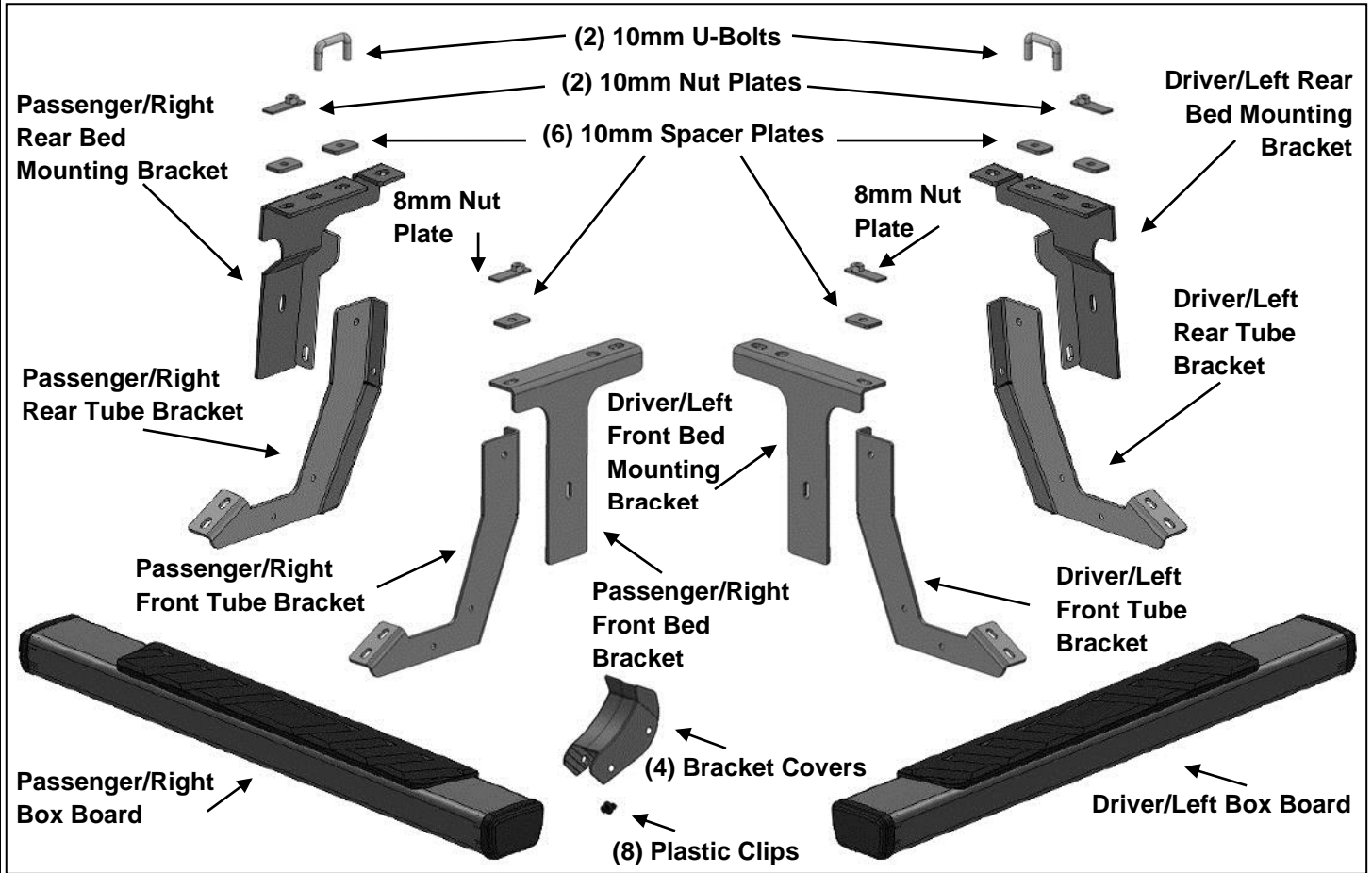
DO NOT OVER TORQUE. STANDARD OPERATING LOAD FOR TIGHTEN BODY MOUNT NUTS & BOLTS VARIES FROM **45** TO **65** FOOT POUND.



POLISHED STAINLESS STEEL - LIMITED LIFETIME
POWDER COATED BLACK - 3 YEARS

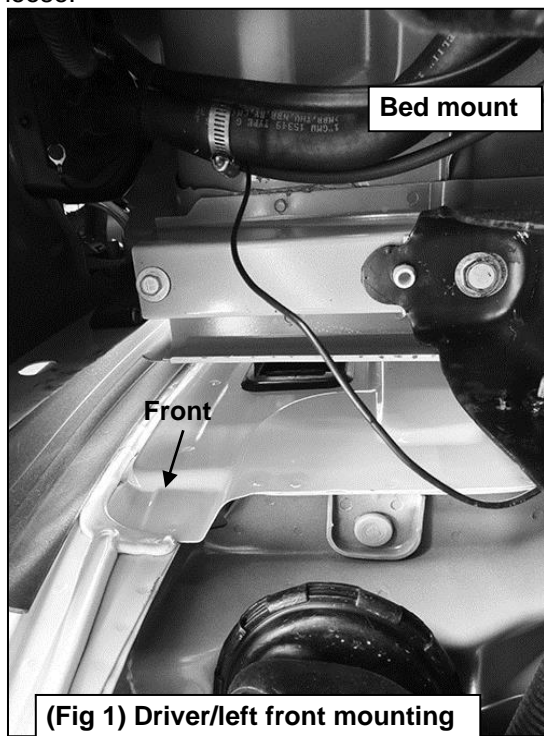
PARTS LIST:

Qty	Part Description	Qty	Part Description
1	Driver/Left Box Board	2	10mm U-Bolts
1	Passenger/Right Box Board	2	10mm Nut Plates
1	Driver/Left Front Bed Mounting Bracket	2	10-1.5mm x 35mm Hex Bolts
1	Passenger/Right Front Bed Mounting Bracket	4	10mm x 27mm OD x 3mm Flat Washers
1	Driver/Left Side Rear Bed Mounting Bracket	4	10mm Lock Washers
1	Passenger/Right Side Rear Bed Mounting Bracket	4	10mm Hex Nuts
1	Driver/left front Tube Bracket	2	8mm Nut Plates
1	Passenger/right front Tube Bracket	10	8-1.25mm x 30mm Hex Bolts
1	Driver/left rear Tube Bracket	18	8mm x 24mm OD x 2mm Flat Washers
1	Passenger/right rear Tube Bracket	2	8mm Lock Washers
4	Plastic Bracket Covers	8	8mm Nylon Lock Nuts
8	Plastic Retaining Clip (2per Cover)	8	8mm x 25mm Combo Bolts
6	10mm Bracket Spacers		

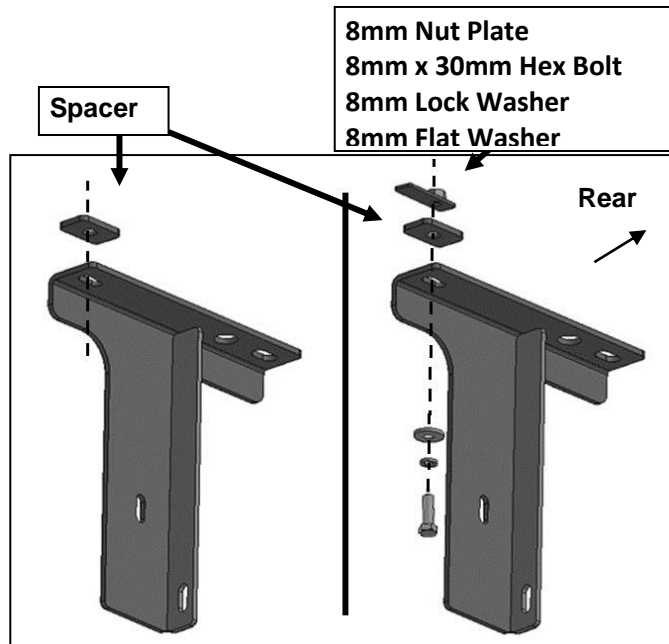


INSTALLATION PROCEDURE:

1. Start installation from under the driver side of the vehicle. Move toward the front of the bed, just in front of the rear wheel opening. Locate the reinforcement channels welded crosswise to the bottom of the bed closest to the cab, **(Figure 1)**. Remove the large mounting bolt on the inside and smaller outer factory hex bolts on the bottom of the front/forward channel, (if equipped). Select the driver side Front Bed Bracket and (1) 10mm Spacer, **(Figure 2)**. Reuse the factory hex bolt to attach the inner end of the Bed Bracket to the bottom of the frame mount. Leave loose.



(Fig 1) Driver/left front mounting location pictured from below



(Fig 2) On models with factory threaded outer hole, (left) reuse factory hex bolts. On models without threaded hole, (right) insert 8mm Nut Plate into open end of channel

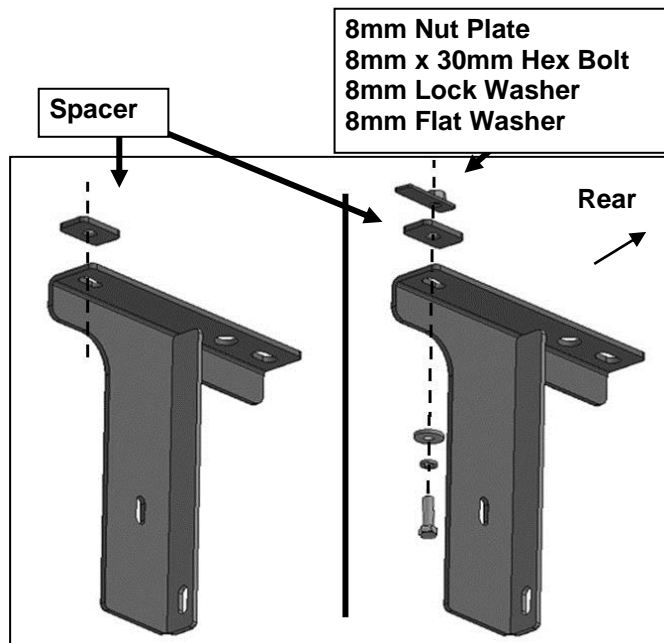
2. Slide the 10mm Spacer between the outer end of the Bed Bracket and the channel.

Models with a factory hex bolt and threaded hole at outer end:

- a. Reuse the smaller factory hex bolt to attach the outer end of the Bed Bracket to the Spacer and bottom of the channel, **(Figure 2)**.

Models without a bolt or threaded hole at outer end:

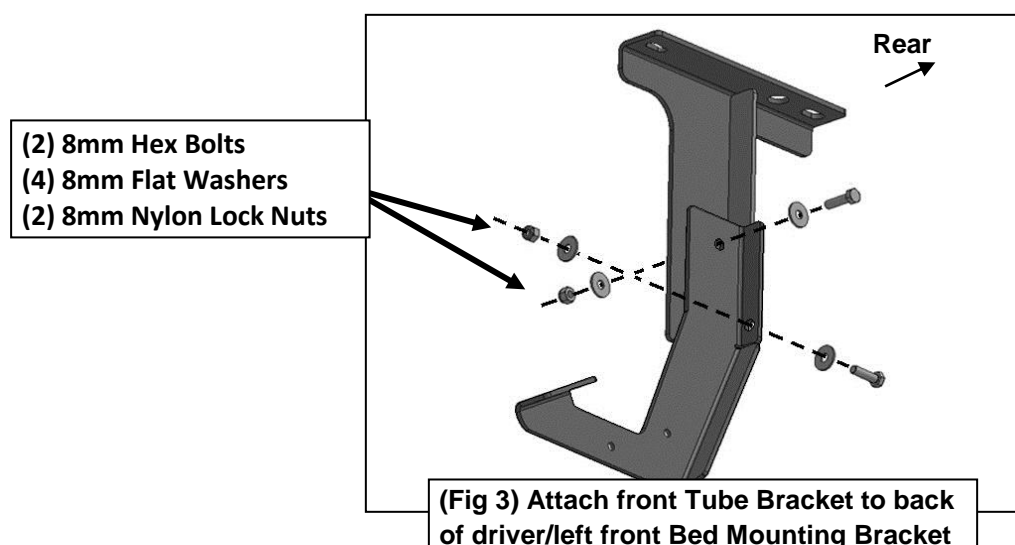
- a. Insert (1) 8mm Nut Plate into the open end of the channel. Slide (1) 10mm Spacer between the channel and the Bracket. Attach the Bracket to the Spacer and Nut Plate with (1) 8mm x 30mm Hex Bolt, (1) 8mm Lock Washer and (1) 8mm Flat Washer, **(Figure 2)**.



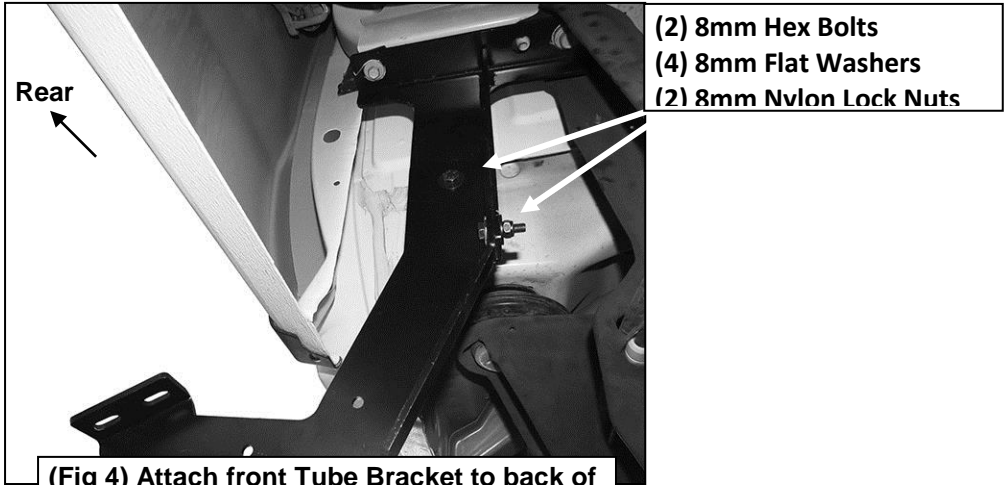
(Fig 2) On models with factory threaded outer hole, (left) reuse factory hex bolts. On models without threaded hole, (right) insert 8mm Nut Plate into open end of channel

- b. Snug but do not fully tighten hardware at this time.

3. Select the driver/left front Tube Bracket, **(Figure 3)**. Attach the Tube Bracket to the rear facing side of the Bed Bracket with (2) 8mm x 30mm Hex Bolts, (4) 8mm Flat Washers and (2) 8mm Nylon Lock Nuts, **(Figures 3 & 4)**. **NOTE:** Cradle on front Bracket should be facing to the rear. Leave loose.

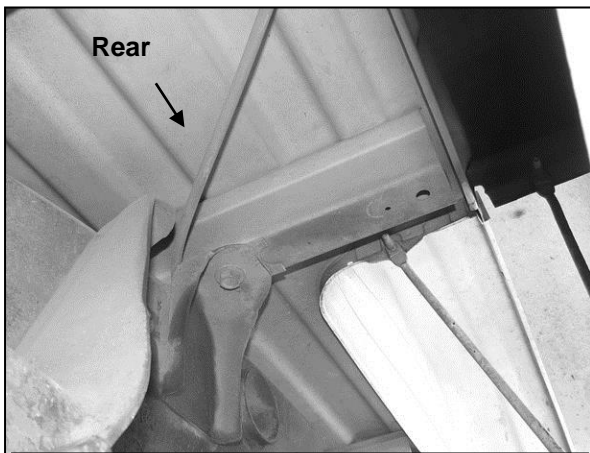


(Fig 3) Attach front Tube Bracket to back of driver/left front Bed Mounting Bracket

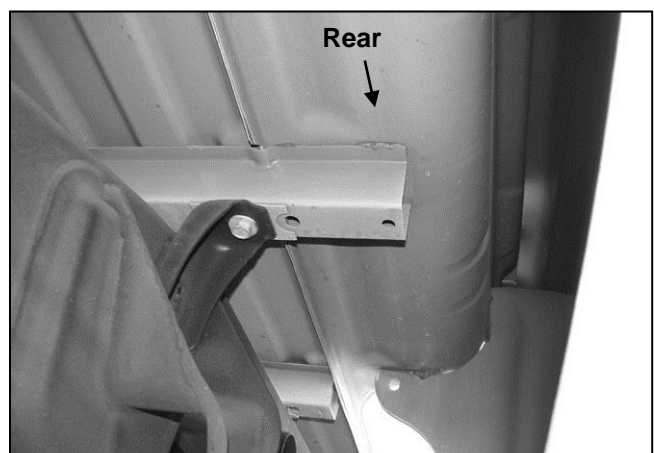


(Fig 4) Attach front Tube Bracket to back of driver/left front Bed Mounting Bracket

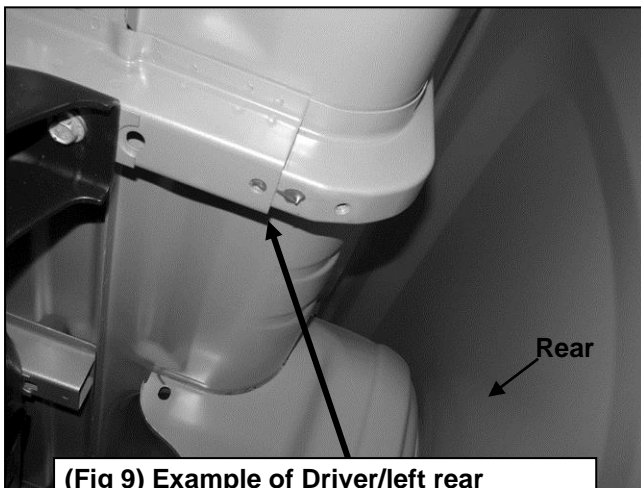
4. Move to the second channel just in front of the rear wheel opening. Repeat **Step 1** to remove the bed to frame mounting bolt. Determine if the outer end of the channel is open, (**Figures 5 & 6**), or filled by a welded-in factory bed reinforcement, (**Figure 9**).



(Fig 5) Example of Driver/left rear mounting location with "long" open channel



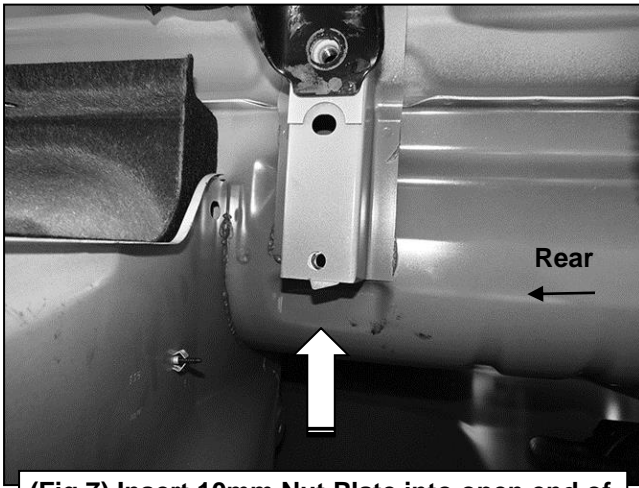
(Fig 6) Example of Driver/left rear mounting location with "short" open channel



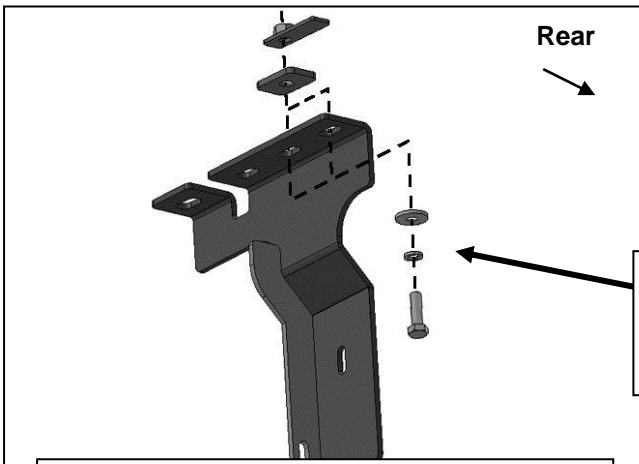
(Fig 9) Example of Driver/left rear mounting location with "closed" channel

Models with open channel, (Figures 5 & 6):

- a. Select (1) 10mm Nut Plate, (**Figure 8**). Insert the Nut Plate into the open end of the channel. Line up the welded nut with the outer hole in the bottom of the channel closest to the outer end, (**Figure 7**). **NOTE:** The bed may come equipped with either a long, (**Figure 5**), or short, (**Figure 6**), channel on the bottom of the bed.



(Fig 7) Insert 10mm Nut Plate into open end of channel (see arrow-short channel pictured)



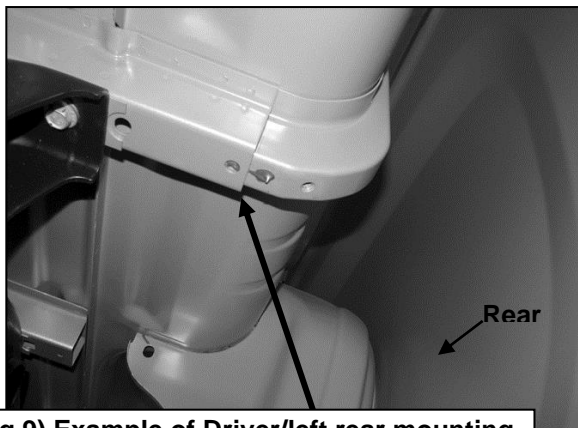
- 10mm Nut Plate
- 10mm x 35mm Hex Bolt
- 10mm Lock Washer
- 10mm Flat Washer

(Fig 8) Attach driver/left rear Bed Mounting Bracket to bottom of "open" channel

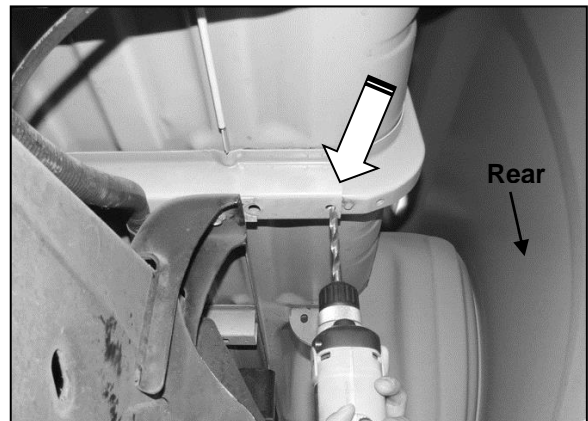
- b. Select the driver side rear Bed Mounting Bracket, (Figure 8). Reuse the factory hex bolt to attach the inner end of the Bed Bracket to the bottom of the frame mount. Leave loose.
- c. Slide (1) 10mm Spacer between the outer end of the Bed Bracket and the channel. Attach the outer end of the Bracket to the bottom of the channel, the Spacer and the Nut Plate with (1) 10mm x 35mm Hex Bolt, (1) 10mm Lock Washer and (1) 10mm Flat Washer, (Figure 8). **NOTE:** The outer hole in the channel and the Nut Plate will line up with either the 1st or 2nd hole in the Bracket. Snug but do not fully tighten hardware at this time.

Models with welded in factory reinforcement, (Figure 9):

- a. Locate the blocked off hole toward the end of the channel, (Figure 9). Drill a 1/2" hole through the channel, (Figure 10). **IMPORTANT:** Do not drill through the bottom of the bed, only drill through the bottom of the channel. If necessary, hold the Bracket up in position to help determine location of "blocked off" factory hole.

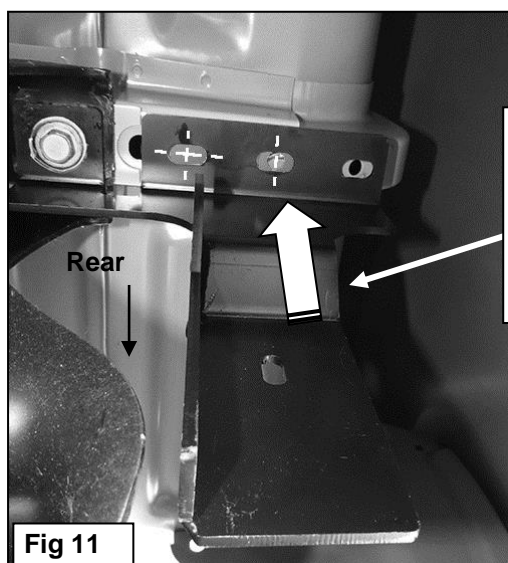


(Fig 9) Example of Driver/left rear mounting location with "closed" channel



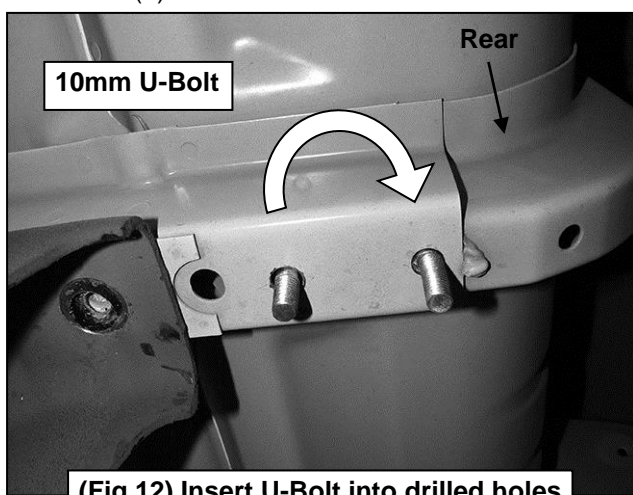
(Fig 10) Use a 1/2" drill bit to drill through blocked off hole in channel (arrow)-do not drill though bed

- b. Remove the inner bed mounting bolt. Reuse the factory hex bolt to temporarily attach the Bracket to the bottom of the bed mount. Center the slot in the Bracket over the previously drilled hole in the channel. Trace the location of the remaining inner slot in the Bracket onto the bottom of the channel, **(Figure 11)**. Temporarily remove the Bracket. Hold the 10mm U-Bolt up in position against the bottom of the channel to verify location before drilling 2nd hole for U-Bolt.

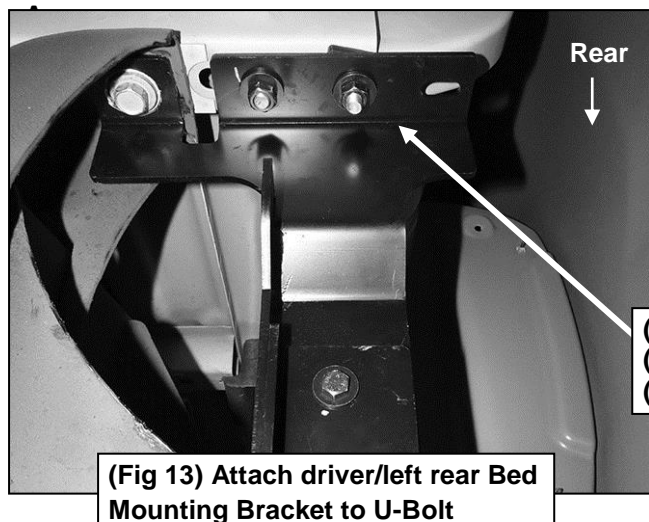


Driver/left rear Bed Mounting Bracket temporarily attached to bed mount with slots lined up over drilled hole (arrow). Mark slot location onto bottom of channel. Use 1/2" drill to drill remaining hole for Bracket

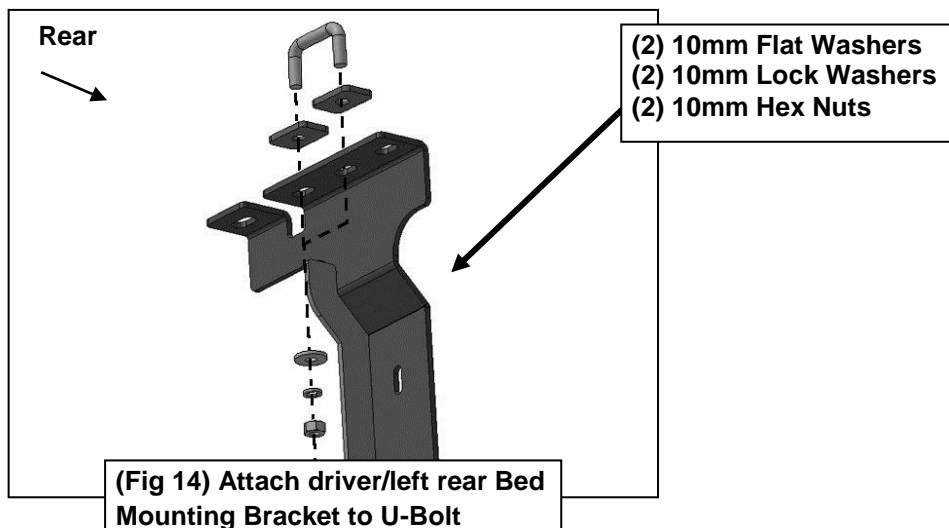
- c. Once location has been checked, drill remaining hole in channel.
- d. Insert the (1) 10mm U-Bolt into one hole and out the remaining drilled hole, **(Figure 12)**.



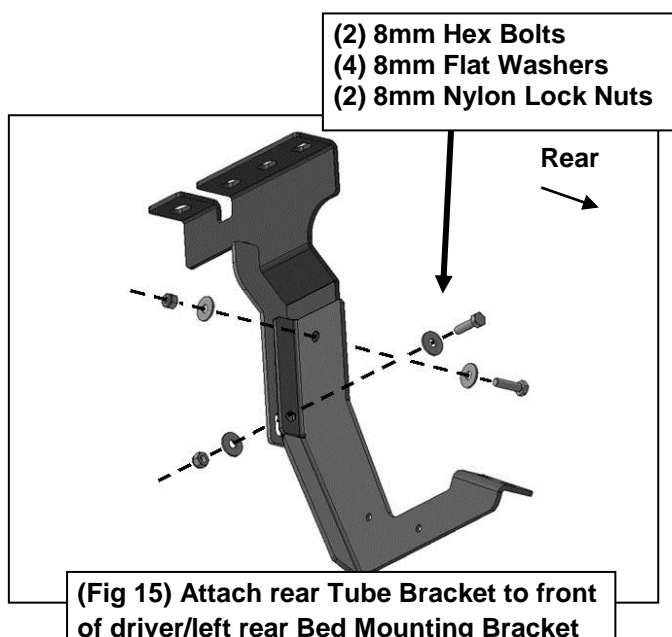
- e. Reattach the Bed Bracket to the bottom of the bed mount. Leave hardware loose.
- f. Slide (2) 10mm Spacers over the ends of the U-Bolt, **(Figure 13)**, and then guide the Bracket over the U-Bolt and against the Spacers. Attach the Bracket to the U-Bolt with (2) 10mm Flat Washers, (2) 10mm Lock Washers and (2) 10mm Hex Nuts, **(Figure 14)**. Leave loose.



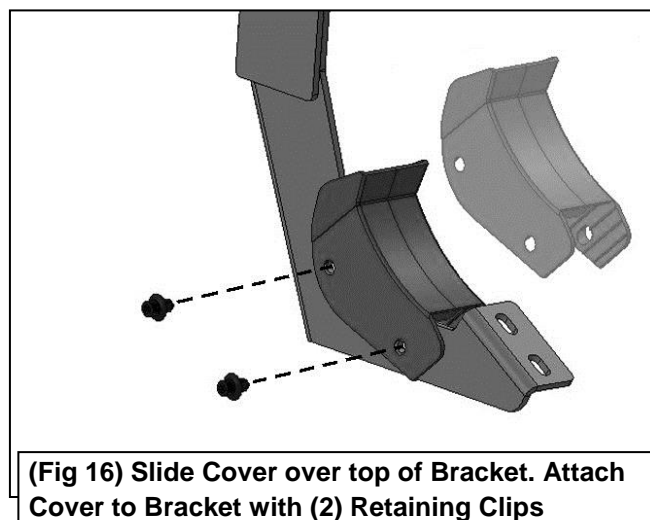
(2) 10mm Flat Washers
(2) 10mm Lock Washers
(2) 10mm Hex Nuts



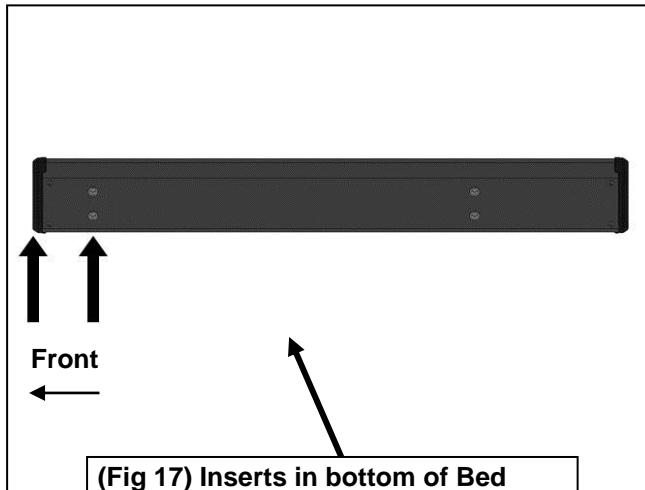
5. Select the driver/left rear Tube Bracket. Attach the Tube Bracket to the front facing side of the Bed Bracket with (2) 8mm x 30mm Hex Bolts, (4) 8mm Flat Washers and (2) 8mm Nylon Lock Nuts, **(Figure 15)**. **NOTE:** Cradle on rear Tube Bracket should be facing to rear. Leave hardware loose.



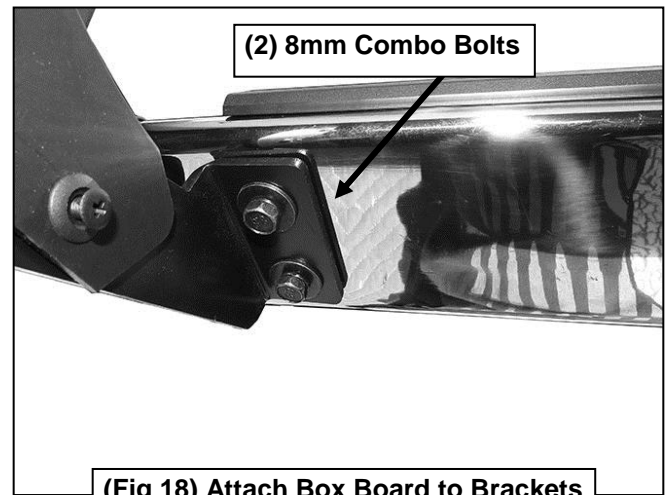
6. Select (1) Plastic Bracket Cover and (2) Plastic Clips, **(Figure 16)**. Slide the Bracket Cover over the Tube Bracket. Line up the holes in the Cover with the holes in the Bracket. Attach the Cover to the Bracket with the included (2) Plastic Clips. Push the Clip into the hole and push the center pin in to expand the Clip in the hole in the Bracket. Repeat this Step to install all Plastic Covers.



7. Select the Driver/left T4 Box Board, **(Figure 17)**. Attach the Box Board to the Brackets with (4) 8mm x 25mm Combo Bolts, **(Figure 18)**. **NOTE:** Front inserts in bottom of Tube are farther from the end of the tube. Leave hardware loose.



(Fig 17) Inserts in bottom of Bed Board are closer to front end of tube



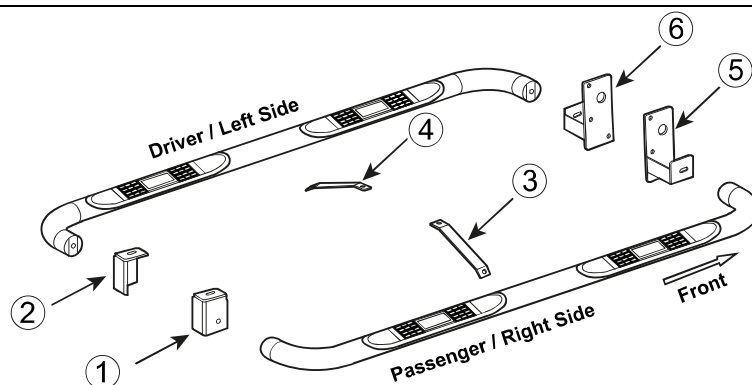
(Fig 18) Attach Box Board to Brackets

8. Level and adjust the Box Board and tighten all hardware.
9. Repeat **Steps 1—8** for passenger Side Box Board installation.
10. Do periodic inspections to the installation to make sure that all hardware is secure and tight.

PARTS IDENTIFICATION GUIDE

Driver Side tube packed using "Green" color foam sheet. Passenger Side tube packed using "White" color foam sheet

No.	Parts Identification
1	Passenger / Right 'Rear' Bracket marked "PR"
2	Driver / Left 'Rear' Bracket marked "DR"
3	Passenger / Right 'Center' Bracket marked "PC"
4	Driver / Left 'Center' Bracket marked "DC"
5	Passenger / Right 'Front' Bracket marked "PF"
6	Driver / Left 'Front' Bracket marked "DF"

**Note:**

- This guide is to identify the parts and not a reference for part count.
- For part count, refer Parts List.
- Product / Bracket image is representative and actual design may vary.

PRODUCT CARE

- Periodically check the product to ensure all fasteners are tight and components are intact.
- Regular waxing is recommended to protect the finish of the product.
- **Use ONLY Non-Abrasive automotive wax.** Use of any soap, polish or wax that contains an abrasive is detrimental and can scratch the finish leading to corrosion.
- Aluminum polish may be used to polish small scratches and scuffs for **Stainless Steel finish.**
- Mild soap may be used to clean the product for both **Stainless Steel and Black finish.**

FAQ's**1. Hardware's are not of correct size.**

In GMC / Chevrolet truck model 2006 & up, customer needs to reuse the factory body bolts to install the bracket. If your vehicle is not GMC / Chevrolet 2006 & up, ensure that holes are not partially covered with any plastic grommet or rust? If it is, remove the plastic grommet & rust from the thread holes & re-try the installation.

2. Mounting Bracket are not getting Installed properly.

In some cases Illustration images shown in Installation manual may not be the exactly same as per actual vehicle images ,also if Driver / Passenger side mounting brackets are very identical in the design, suggest referring Parts Identification guide to avoid fitment issue.

3. Products are thumping / rattling after installation.

Ensure that all required mounting brackets / hardware's are installed & tighten correctly. Suggest using white lithium / regular grease between the metal to metal contact surfaces.

4. Side Bar is not aligning with vehicle / Step Pads are not aligning with vehicle doors.

Side bar may be interchanged or mounting brackets are not installed at the correct position in the vehicle. Refer Parts identification guide.

5. Missing / Excess Hardware.

Recheck hardware count as per the part list.

6. Product not installing properly.

Ensure make model year, cab length and bed size of your vehicle is listed in the application. All installation steps are followed correctly.

Check out these other TrailFX Products!!

www.TrailFX.com



BULL BAR



GRILLE GUARDS



BED RAILS



RUNNING BOARDS

Keystone Automotive Operations Inc. (KAO) warrants this product to be free of defects in material and workmanship at the time of purchase by the original retail consumer. KAO disclaims any other warranties, express or implied, including the warranty of fitness for a particular purpose or an intended use. If the product is found to be defective, KAO may replace or repair the product at our option, when the product is returned prepaid, with proof of purchase. Alteration to, improper installation, or misuse of this product voids the warranty. KAO's liability is limited to repair or replacement of products found to be defective, and specifically excludes liability for any incidental or consequential loss or damage.