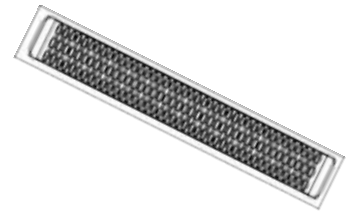




Aggressive Rear Bumper Step

Part No. ABSV002B



Fits: 2014 - Current

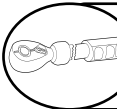
Dodge ProMaster



REMOVE CONTENTS FROM BOX. VERIFY ALL PARTS ARE PRESENT.



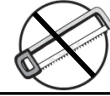
READ INSTRUCTIONS CAREFULLY BEFORE STARTING INSTALLATION.



DO NOT OVER TORQUE. STANDARD OPERATING LOAD FOR TIGHTEN BODY MOUNT NUTS & BOLTS VARIES FROM 45 TO 65 FOOT POUND.



60-180 min



Cutting Not Required



Drilling Not Required



support@trailfx.com



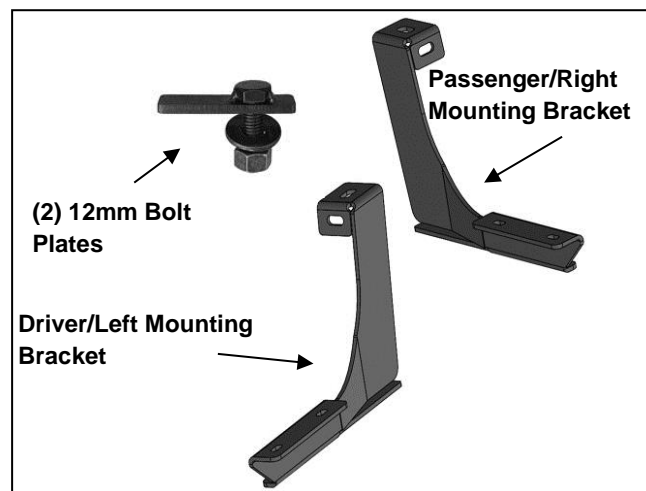
1 866 638 4870



POLISHED STAINLESS STEEL – LIMITED LIFETIME
POWDER COATED BLACK – 3 YEARS

PARTS LIST:

Qty	Part Description	Qty	Part Description
1	Aggressive Rear Step (53")	2	12mm Lock Washers
1	Driver/Left Rear Mounting Bracket	2	12-1.75mm Hex Nuts
1	Passenger/Right Rear Mounting Bracket	2	8-1.25mm Double Bolt Plates
2	12-1.75mm x 40mm Bolt Plates	4	8mm x 24mm x 2mm Flat Washers
2	12mm Plastic Retainers	4	8mm Lock Washers
2	12mm x 32mm x 3mm Flat Washers	4	8-1.25mm Hex Nuts



INSTALLATION PROCEDURE:

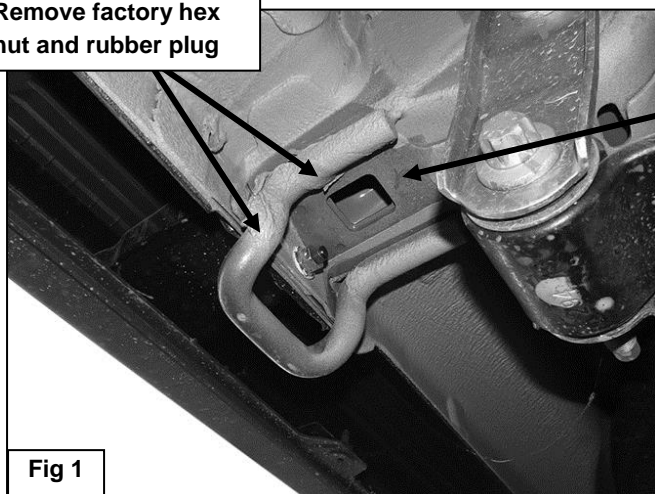
INSTALLATION MAY INTERFERE WITH FACTORY OR AFTERMARKET TOW HITCH AND/OR BACKUP SENSOR OPERATION.

WARNING: ALLOW TIME FOR THE MUFFLER TO COOL COMPLETELY BEFORE INSTALLING REAR BUMPER GUARD BRACKETS.

1. Starting on the passenger side of the vehicle, locate the square hole in end of the rear frame channel, **(Figure 1)**. **NOTE:** Remove rubber plug if equipped. Next, remove the factory hex nut attaching the bottom bumper bracket bolt to the frame channel inside the rear tow hook.
2. Insert (1) 12mm Bolt Plate into the square hole in the bottom of the frame channel, **(Figures 1 & 2)**. Use the included 12mm Plastic Retainer to help hold the Bolt Plate in place in the frame.
3. Select the passenger/right side Frame Mounting Bracket. Attach the Bracket to the Bolt Plate with the included 12mm Flat Washer, 12mm Lock Washer and 12mm Hex Nut, **(Figure 3)**. Reuse the factory hex nut to attach the mounting tab on the Bracket to the bumper bracket bolt. Do not fully tighten hardware at this time.
4. Repeat **Steps 1—3** to install the driver side Bracket.
5. Select the Rear Step. Place the Step on top of the Brackets. Select (2) 8mm Double Bolt Plates, **(Figure 4)**. Insert the Bolt Plates up and into the channels in the bottom of the Step closest to the location of the Brackets, **(Figure 4)**. Raise the Step up and slide the Bolt Plates down through the slots in the Brackets.
6. Attach the Step to the Brackets with (4) 8mm Flat Washers, (4) 8mm Lock Washers and (4) 8mm Hex Nuts, **(Figure 5)**. Do not fully tighten hardware at this time.
7. Align and adjust the Rear Step as necessary and fully tighten all hardware.
8. Do periodic inspections of the installation to make sure that all hardware is secure and tight.

Passenger Side Installation Pictured

Remove factory hex nut and rubber plug



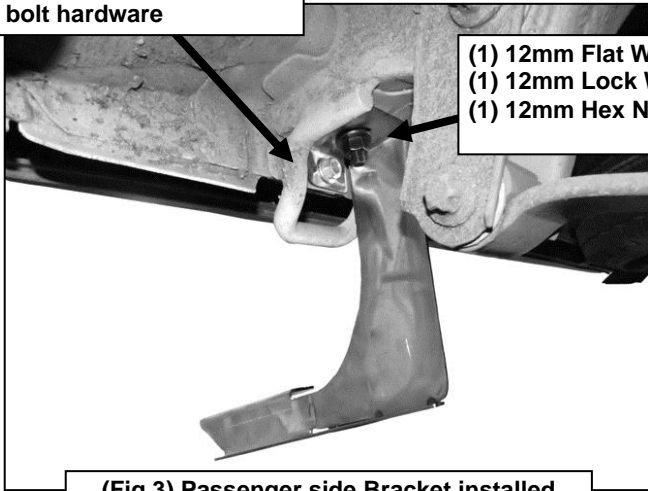
Remove excess sealant as necessary to clear bracket for proper fitment



(Fig 2) 12mm Bolt Plate

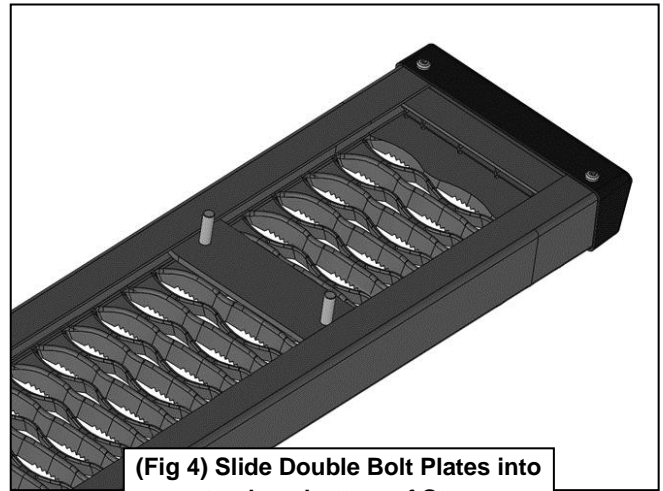
Passenger Side Installation Pictured

Reuse factory bumper
bolt hardware



- (1) 12mm Flat Washer
- (1) 12mm Lock Washer
- (1) 12mm Hex Nut

(Fig 3) Passenger side Bracket installed



(Fig 4) Slide Double Bolt Plates into track on bottom of Step

- (2) 8mm Flat Washers
- (2) 8mm Lock Washers
- (2) 8mm Hex Nuts

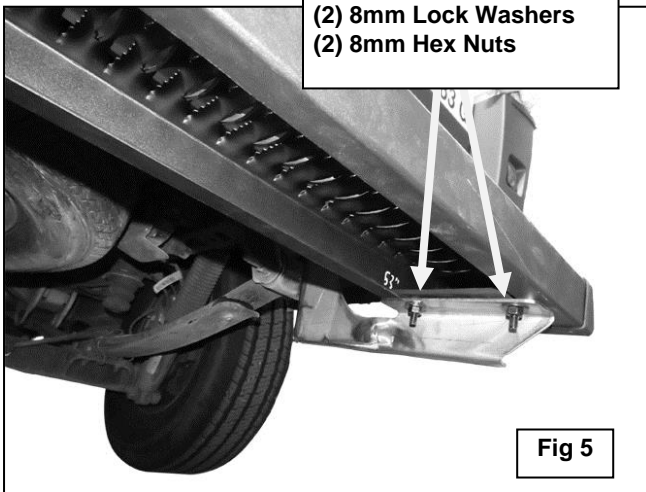


Fig 5

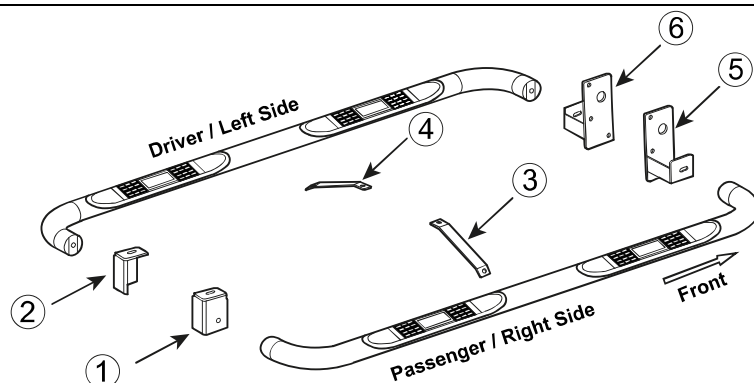


Complete Installation

PARTS IDENTIFICATION GUIDE

Driver Side tube packed using "Green" color foam sheet. Passenger Side tube packed using "White" color foam sheet

No.	Parts Identification
1	Passenger / Right 'Rear' Bracket marked "PR"
2	Driver / Left 'Rear' Bracket marked "DR"
3	Passenger / Right 'Center' Bracket marked "PC"
4	Driver / Left 'Center' Bracket marked "DC"
5	Passenger / Right 'Front' Bracket marked "PF"
6	Driver / Left 'Front' Bracket marked "DF"

**Note:**

- > This guide is to identify the parts and not a reference for part count.
- > For part count, refer Parts List.
- > Product / Bracket image is representative and actual design may vary.

PRODUCT CARE

- Periodically check the product to ensure all fasteners are tight and components are intact.
- Regular waxing is recommended to protect the finish of the product.
- **Use ONLY Non-Abrasive automotive wax.** Use of any soap, polish or wax that contains an abrasive is detrimental and can scratch the finish leading to corrosion.
- Aluminum polish may be used to polish small scratches and scuffs for **Stainless Steel finish.**
- Mild soap may be used to clean the product for both **Stainless Steel and Black finish.**

FAQ's**1. Hardware's are not of correct size.**

In GMC / Chevrolet truck model 2006 & up, customer needs to reuse the factory body bolts to install the bracket. If your vehicle is not GMC / Chevrolet 2006 & up, ensure that holes are not partially covered with any plastic grommet or rust? If it is, remove the plastic grommet & rust from the thread holes & re-try the installation.

2. Mounting Bracket are not getting Installed properly.

In some cases Illustration images shown in Installation manual may not be the exactly same as per actual vehicle images ,also if Driver / Passenger side mounting brackets are very identical in the design, suggest referring Parts Identification guide to avoid fitment issue.

3. Products are thumping / rattling after installation.

Ensure that all required mounting brackets / hardware's are installed & tighten correctly. Suggest using white lithium / regular grease between the metal to metal contact surfaces.

4. Side Bar is not aligning with vehicle / Step Pads are not aligning with vehicle doors.

Side bar may be interchanged or mounting brackets are not installed at the correct position in the vehicle. Refer Parts identification guide.

5. Missing / Excess Hardware.

Recheck hardware count as per the part list.

6. Product not installing properly.

Ensure make model year, cab length and bed size of your vehicle is listed in the application. All installation steps are followed correctly.

Check out these other TrailFX Products!!

www.TrailFX.com

**BULL BAR****GRILLE GUARDS****BED RAILS****RUNNING BOARDS**

Keystone Automotive Operations Inc. (KAO) warrants this product to be free of defects in material and workmanship at the time of purchase by the original retail consumer. KAO disclaims any other warranties, express or implied, including the warranty of fitness for a particular purpose or an intended use. If the product is found to be defective, KAO may replace or repair the product at our option, when the product is returned prepaid, with proof of purchase. Alteration to, improper installation, or misuse of this product voids the warranty. KAO's liability is limited to repair or replacement of products found to be defective, and specifically excludes liability for any incidental or consequential loss or damage.