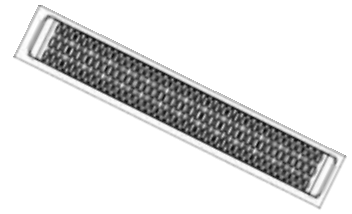




# Aggressive Rear Bumper Step

## Part No. ABSV003B



Fits: 2012 - Current

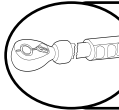
Nissan NV 1500/2500/3500



REMOVE CONTENTS FROM BOX. VERIFY ALL PARTS ARE PRESENT.



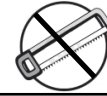
READ INSTRUCTIONS CAREFULLY BEFORE STARTING INSTALLATION.



DO NOT OVER TORQUE. STANDARD OPERATING LOAD FOR TIGHTEN BODY MOUNT NUTS & BOLTS VARIES FROM 45 TO 65 FOOT POUND.



60-180 min



Cutting Not Required



Drilling Not Required



support@trailfx.com



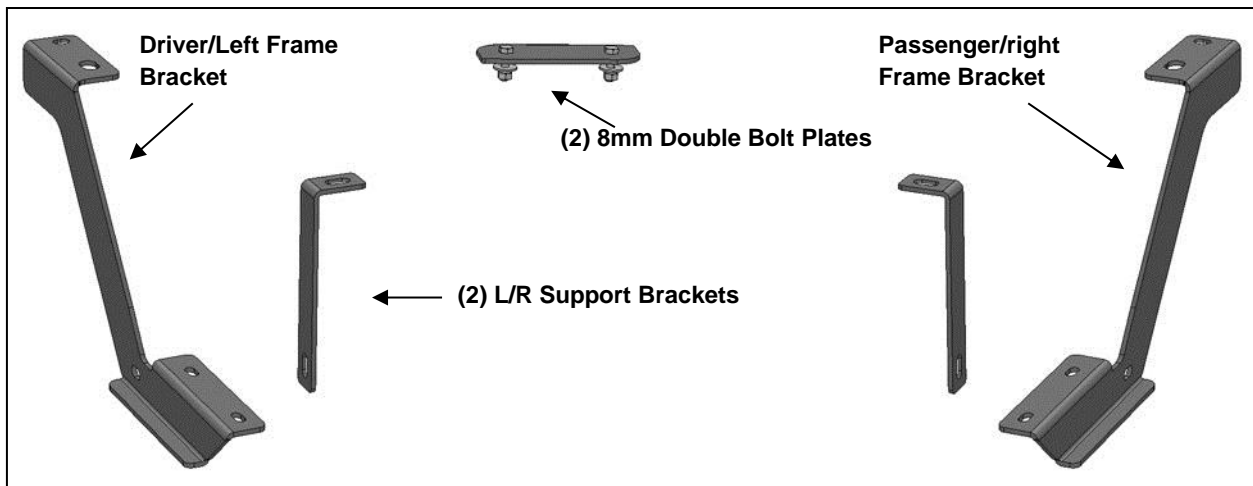
1 866 638 4870



POLISHED STAINLESS STEEL - LIMITED LIFETIME  
POWDER COATED BLACK - 3 YEARS

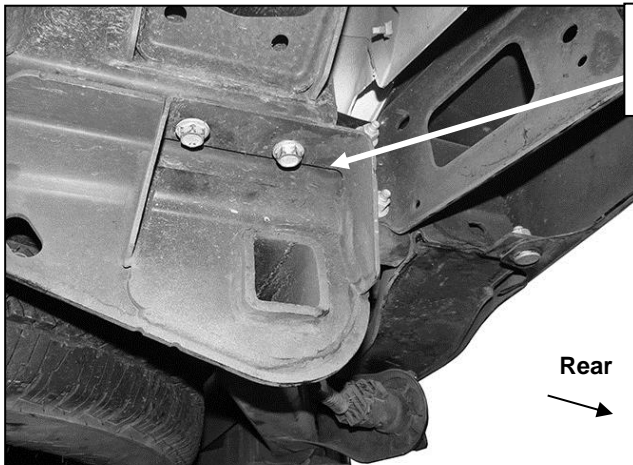
### PARTS LIST:

Qty	Part Description	Qty	Part Description
1	53" Aggressive Running Board	4	10-1.5mm x 30mm Hex Bolts
1	Driver/left Frame Mounting Bracket	8	10mm x 27mm OD x 3mm Flat Washers
1	Passenger/right Frame Mounting Bracket	4	10mm Lock Washers
2	Support Brackets	4	10mm Hex Nuts
4	12-1.25mm x 45mm Fine Thread Hex Bolts	2	8mm Double Bolt Plates
4	12mm x 32mm OD x 3mm Flat Washers	4	8mm x 24mm OD x 2mm Flat Washers
4	12mm Lock Washers	4	8mm Lock Washers
		4	8mm Hex Nuts



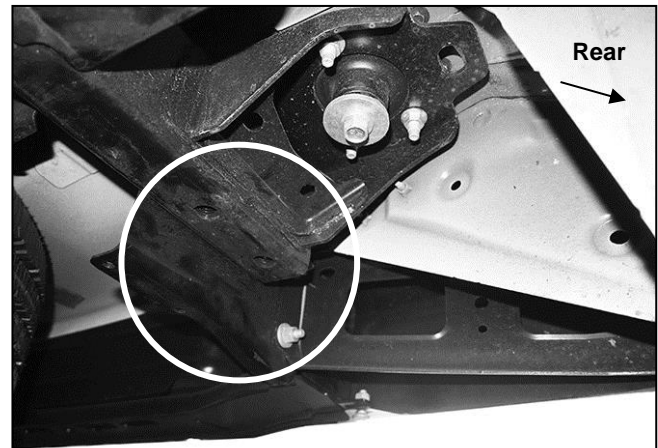
**INSTALLATION PROCEDURE:**

1. Start the installation under the driver side of the vehicle. Locate the (2) factory hex bolts attaching the receiver hitch to the bottom of the frame, **(Figure 1)**. **NOTE:** On models without hitch, locate the (2) threaded holes in the bottom of the frame, **(Figure 2)**.



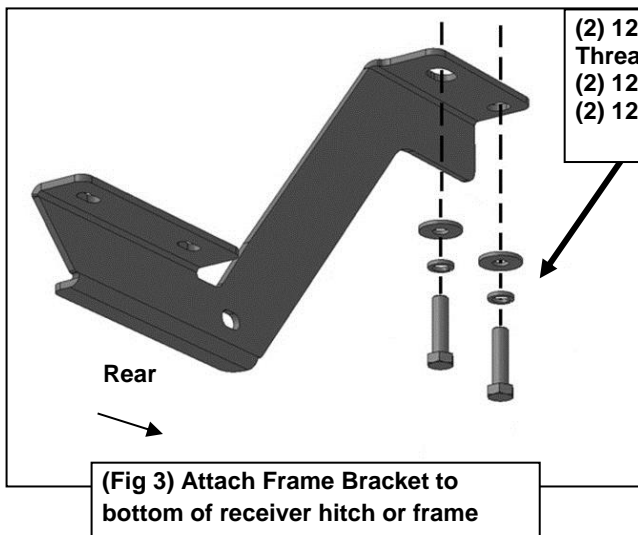
**(Fig 1)** Driver side pictured from below with hitch

Remove (2) factory bolts from bottom of frame (model equipped with receiver hitch pictured)



**(Fig 2)** Driver/left mounting location pictured from below (model without hitch pictured)

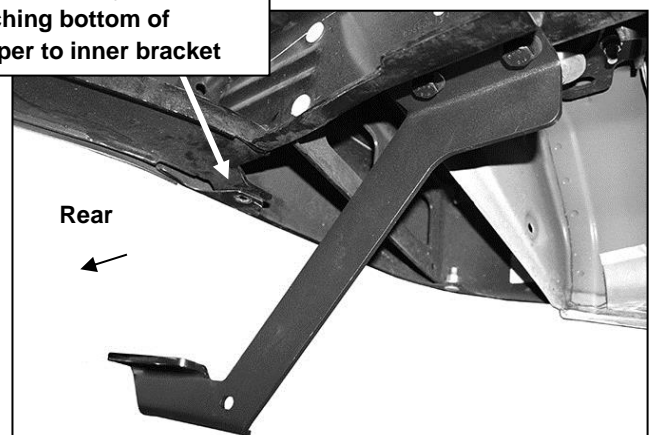
2. Select the driver/left side Frame Bracket, **(Figure 3)**. Attach the Frame Bracket to the bottom of the hitch or frame with the included (2) 12-1.25mm x 45mm Special Fine Thread Hex Bolts, (2) 12mm Lock Washers and (2) 12mm Flat Washers, **(Figures 3 & 4)**. Snug but do not tighten hardware.



**(Fig 3)** Attach Frame Bracket to bottom of receiver hitch or frame

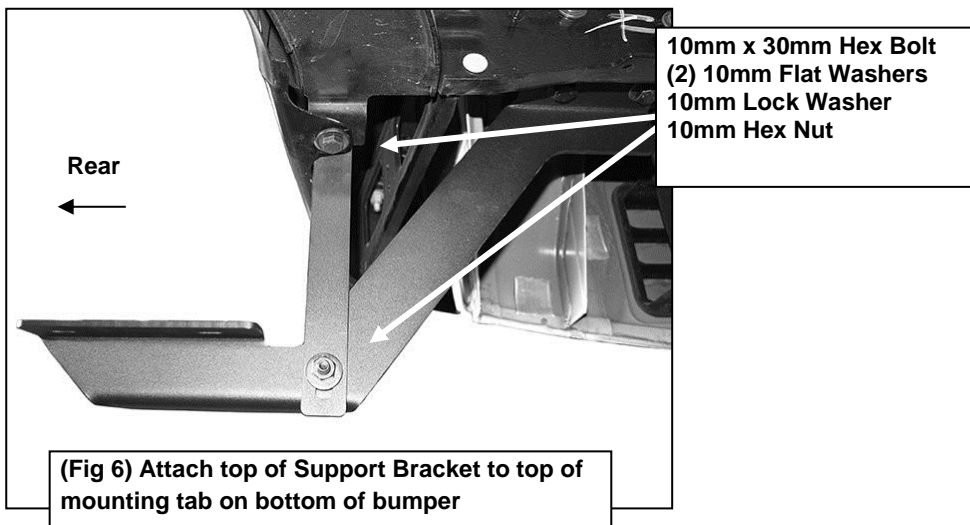
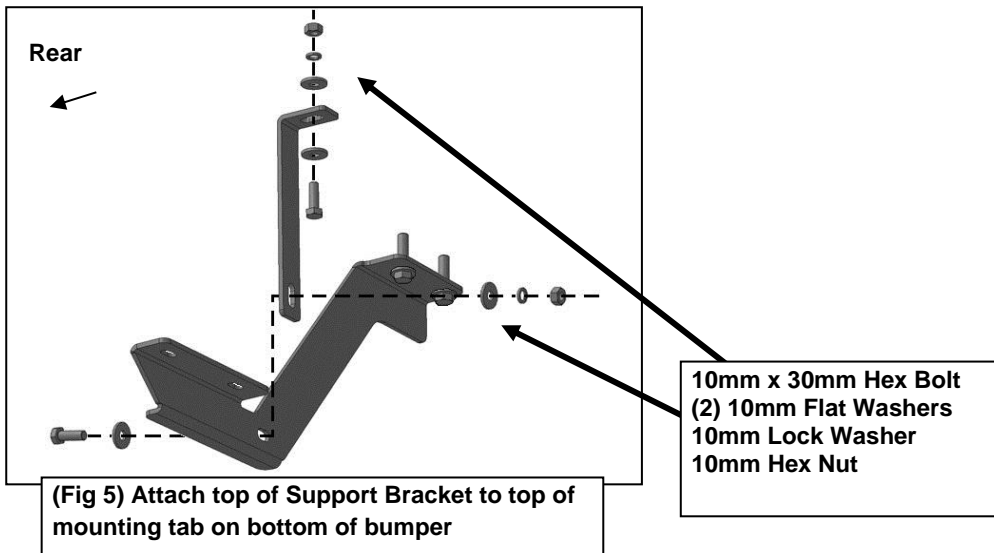
(2) 12-1.25mm x 45mm Fine Thread Hex Bolts  
(2) 12mm Lock Washers  
(2) 12mm Flat Washers

Remove factory bolt attaching bottom of bumper to inner bracket

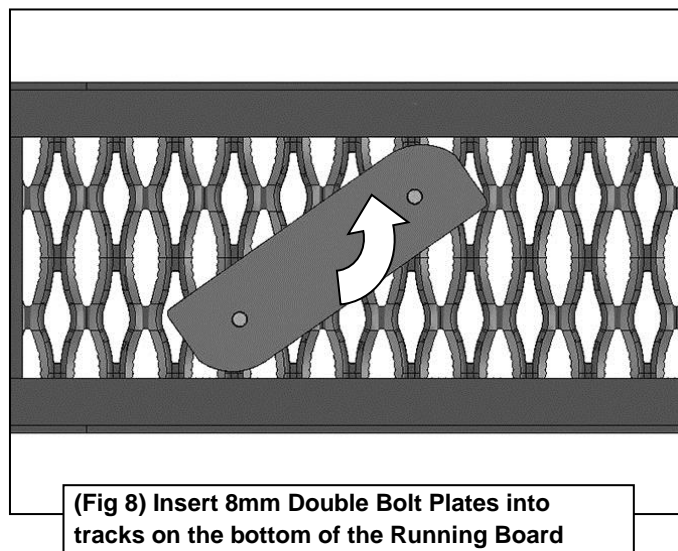
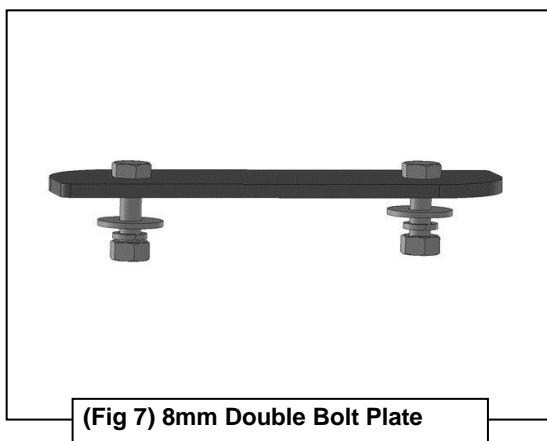


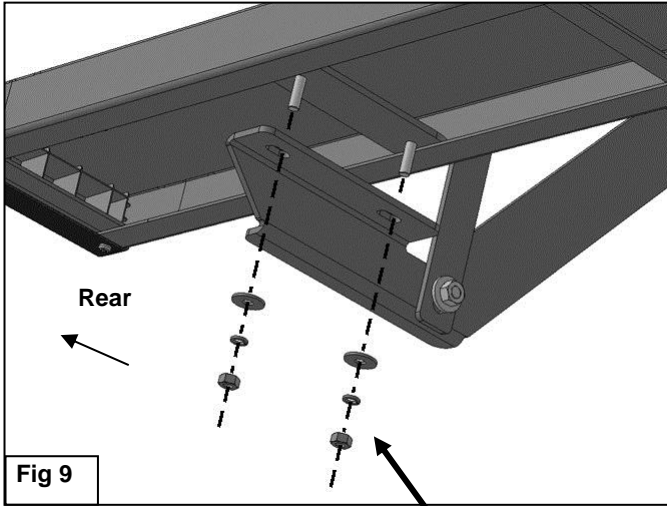
**(Fig 4)** Attach Frame Bracket to bottom of frame (Driver/left Bracket installation pictured)

3. Next, remove the bolt attaching the bottom of the outer bumper to the inner bumper bracket, **(Figure 4)**. Select (1) Support Bracket. Attach the bent end of the Support Bracket to the top side of the tab on the bumper with (1) 10mm Hex Bolt, (2) 10mm Flat Washers, (1) 10mm Lock Washer and (1) 10mm Hex Nut, **(Figures 5 & 6)**. Leave hardware loose at this time.



4. Attach the Support Bracket to the inside of the Frame Bracket with (1) 10mm Hex Bolt, (2) 10mm Flat Washers, (1) 10mm Lock Washer and (1) 10mm Hex Nut, **(Figures 5 & 6)**. Snug but do not tighten hardware.
5. Repeat **Steps 1—4** to install the passenger side Frame and Support Bracket.
6. Select the Rear Step. Place the Rear Step on top of the (2) Frame Brackets. Select (2) 8mm Double Bolt Plates, **(Figure 7)**. Locate the channels in the bottom of the Rear Step. Insert the Bolt Plates into the channels close to the Brackets, **(Figure 8)**. Lift the Step with Bolt Plates up and guide the studs down through the Brackets. Attach the Rear Step to the Brackets with (4) 8mm Flat Washers, (4) 8mm Lock Washers and (4) 8mm Hex Nuts, **(Figure 9)**. Do not tighten hardware at this time.





- (2) 8mm Flat Washers
- (2) 8mm Lock Washers
- (2) 8mm Hex Nuts

7. Level and adjust the Rear Step and fully tighten all hardware.
8. Do periodic inspections to the installation to make sure that all hardware is secure and tight.



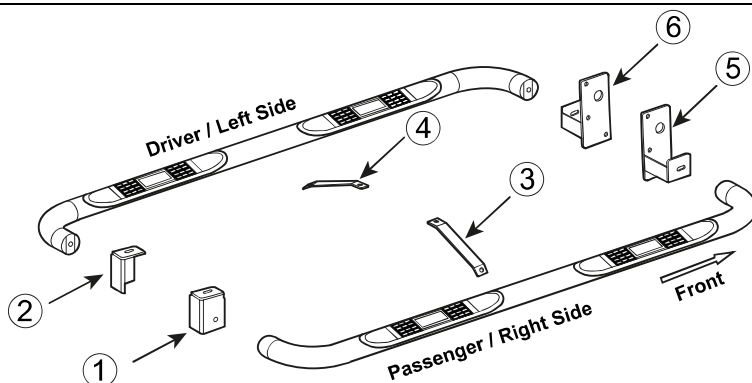
**PARTS IDENTIFICATION GUIDE**

**Driver Side tube packed using "Green" color foam sheet. Passenger Side tube packed using "White" color foam sheet**

No.	Parts Identification
1	Passenger / Right 'Rear' Bracket marked "PR"
2	Driver / Left 'Rear' Bracket marked "DR"
3	Passenger / Right 'Center' Bracket marked "PC"
4	Driver / Left 'Center' Bracket marked "DC"
5	Passenger / Right 'Front' Bracket marked "PF"
6	Driver / Left 'Front' Bracket marked "DF"

**Note:**

- This guide is to identify the parts and not a reference for part count.
- For part count, refer Parts List.
- Product / Bracket image is representative and actual design may vary.

**PRODUCT CARE**

- Periodically check the product to ensure all fasteners are tight and components are intact.
- Regular waxing is recommended to protect the finish of the product.
- **Use ONLY Non-Abrasive automotive wax.** Use of any soap, polish or wax that contains an abrasive is detrimental and can scratch the finish leading to corrosion.
- Aluminum polish may be used to polish small scratches and scuffs for **Stainless Steel finish.**
- Mild soap may be used to clean the product for both **Stainless Steel and Black finish.**

**FAQ's****1. Hardware's are not of correct size.**

*In GMC / Chevrolet truck model 2006 & up, customer needs to reuse the factory body bolts to install the bracket. If your vehicle is not GMC / Chevrolet 2006 & up, ensure that holes are not partially covered with any plastic grommet or rust? If it is, remove the plastic grommet & rust from the thread holes & re-try the installation.*

**2. Mounting Bracket are not getting Installed properly.**

*In some cases Illustration images shown in Installation manual may not be the exactly same as per actual vehicle images ,also if Driver / Passenger side mounting brackets are very identical in the design, suggest referring Parts Identification guide to avoid fitment issue.*

**3. Products are thumping / rattling after installation.**

*Ensure that all required mounting brackets / hardware's are installed & tighten correctly. Suggest using white lithium / regular grease between the metal to metal contact surfaces.*

**4. Side Bar is not aligning with vehicle / Step Pads are not aligning with vehicle doors.**

*Side bar may be interchanged or mounting brackets are not installed at the correct position in the vehicle. Refer Parts identification guide.*

**5. Missing / Excess Hardware.**

*Recheck hardware count as per the part list.*

**6. Product not installing properly.**

*Ensure make model year, cab length and bed size of your vehicle is listed in the application. All installation steps are followed correctly.*

**Check out these other TrailFX Products!!**

[www.TrailFX.com](http://www.TrailFX.com)



**BULL BAR**



**GRILLE GUARDS**



**BED RAILS**



**RUNNING BOARDS**

Keystone Automotive Operations Inc. (KAO) warrants this product to be free of defects in material and workmanship at the time of purchase by the original retail consumer. KAO disclaims any other warranties, express or implied, including the warranty of fitness for a particular purpose or an intended use. If the product is found to be defective, KAO may replace or repair the product at our option, when the product is returned prepaid, with proof of purchase. Alteration to, improper installation, or misuse of this product voids the warranty. KAO's liability is limited to repair or replacement of products found to be defective, and specifically excludes liability for any incidental or consequential loss or damage.