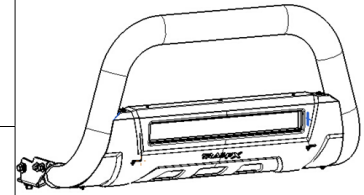




3.5" Oval Bull Bar

Part No. B1611S/B



Fits: 2007-2019
2008-2019

TOYOTA TUNDRA
TOYOTA SEQUOIA



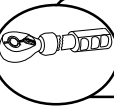
REMOVE CONTENTS FROM BOX. VERIFY ALL PARTS ARE PRESENT.



READ INSTRUCTIONS CAREFULLY BEFORE STARTING INSTALLATION.



DO NOT OVER TORQUE. STANDARD OPERATING LOAD FOR TIGHTEN BODY MOUNT NUTS & BOLTS VARIES FROM 45 TO 65 FOOT POUND.



60-180 min



CUTTING NOT
REQUIRED



DRILLING NOT
REQUIRED



support@trailfx.com



1 866 638 4870

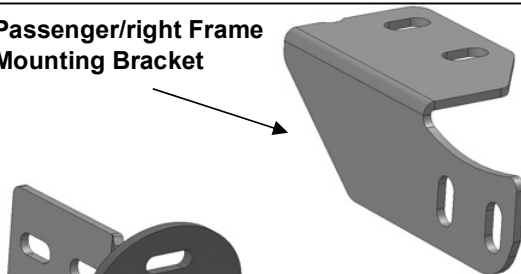


POLISHED STAINLESS STEEL - LIMITED LIFETIME
POWDER COATED BLACK - 3 YEARS

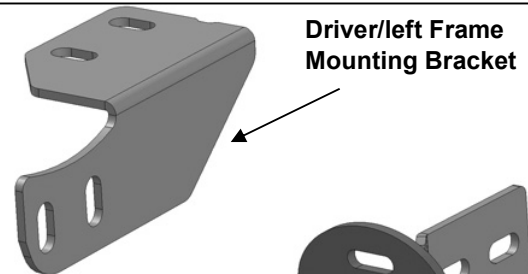
PARTS LIST:

Qty	Part Description	Qty	Part Description
1	Bull Bar	8	12mm x 32mm OD x 3mm Flat Washers
1	Driver Side Frame Mounting Bracket	4	12-1.75mm Nylon Lock Nuts
1	Passenger Side Frame Mounting Bracket	4	8-1.25mm x 35mm Hex Bolts
2	Bull Bar Mounting Brackets (left or right)	2	8mm x 16mm Hex Bolts
1	20" LED Light Bar	6	8mm x 24mm OD x 2mm Flat Washers

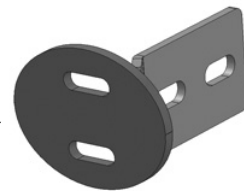
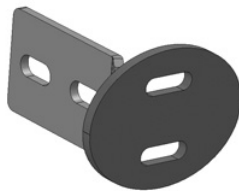
Passenger/right Frame
Mounting Bracket



Driver/left Frame
Mounting Bracket



(2) Bull Bar Mounting Brackets (left or right)



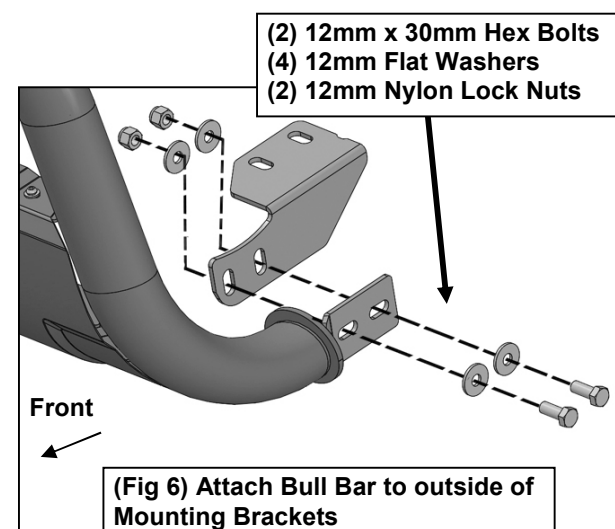
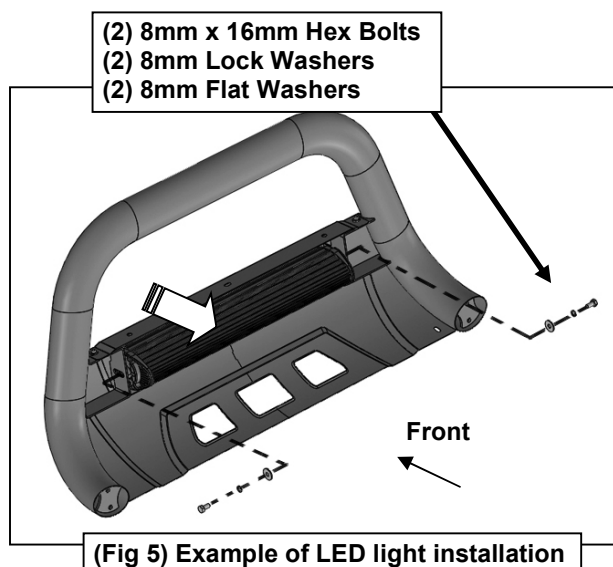
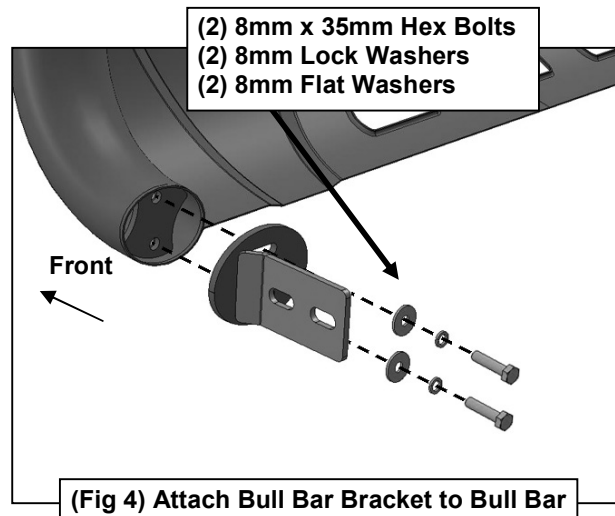
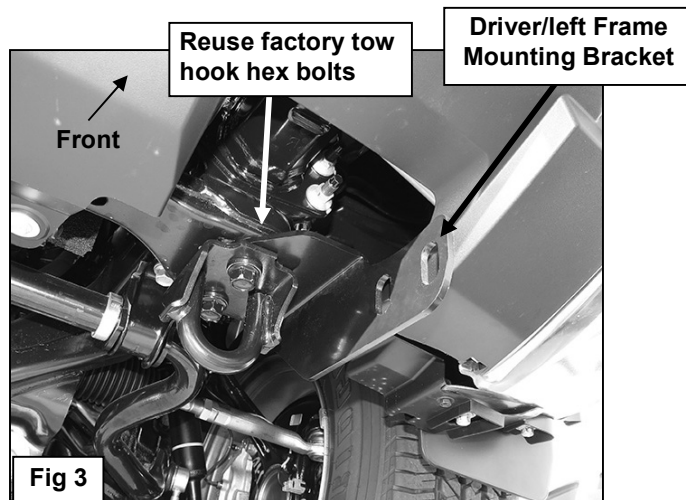
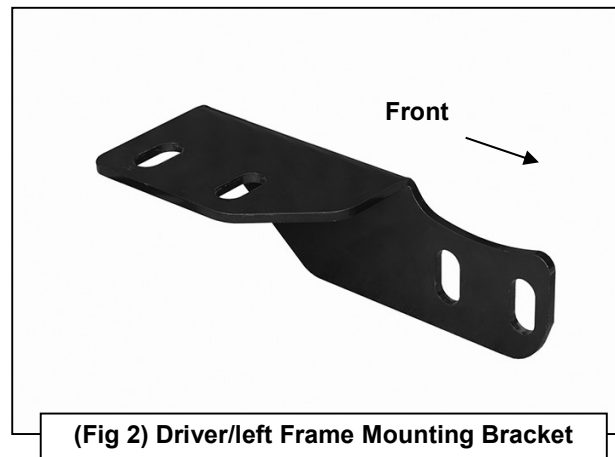
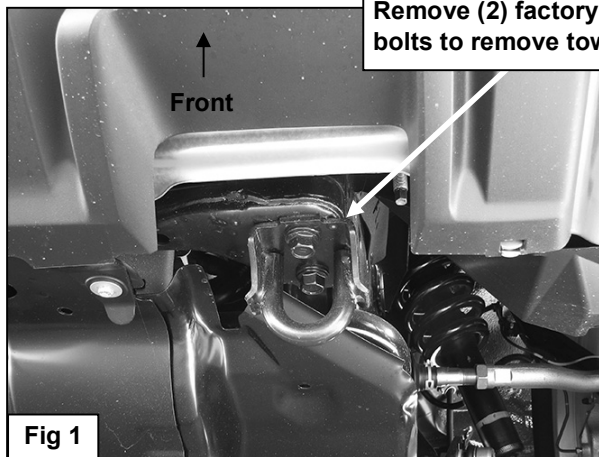
PROCEDURE:

REMOVE CONTENTS FROM BOX. VERIFY ALL PARTS ARE PRESENT. READ INSTRUCTIONS CAREFULLY BEFORE STARTING INSTALLATION. INSTALLATION MAY INTERFERE WITH FRONT MOUNTED SENSORS. NOT RECOMMENDED FOR VEHICLES WITH OPTIONAL "ACTIVE" LASER GUIDED CRUISE CONTROL SYSTEMS.

1. Start installation at the driver side, front of the vehicle. Remove the driver side tow hook, (**Figure 1**).
2. Select the driver side Frame Bracket, (**Figure 2**). Check the fit between the tow hook and the Bracket for possible reinstallation over the Bracket. **NOTE:** Some factory tow hooks may not clear the Bracket and cannot be reinstalled. Check for fit before attaching tow hook and Bracket to vehicle. Reuse the factory tow hook bolts to attach the Bracket to the threaded holes in the bottom of the frame, (**Figure 3**). Do not fully tighten hardware at this time.
3. Repeat **Steps 1 & 2** for passenger side Frame Bracket installation.
4. Carefully unwrap the Bull Bar. Select (1) Bull Bar Mounting Bracket. Attach the Bracket to the end of the Bull Bar with (2) 8mm x 35mm Hex Bolts, (2) 8mm Lock Washers and (2) 8mm Flat Washers, (**Figure 4**). Leave hardware loose at this time.
5. Repeat **Step 4** to install the passenger side Bull Bar Bracket.
6. **Center LED Light Installation, (LED Light Bar Included):**

- a. Attach the LED Light Bar to the back of the Bull Bar using the included (2) 8mm x 16mm Hex Bolts, (2) 8mm Lock Washers and (2) 8mm x 24mm Flat Washers, **(Figure 5)**.
7. With assistance, line up the Mounting Brackets on the Bull Bar with the outside of the Frame Brackets. Attach the Bull Bar to the Frame Brackets with the included (4) 12mm x 30mm Hex Bolts, (8) 12mm Flat Washers and (4) 12mm Nylon Lock Nuts, **(Figure 6)**. Do not tighten hardware at this time.
8. Level and adjust the Bull Bar properly and tighten all hardware.
9. Do periodic inspections to the installation to make sure that all hardware is secure and tight.

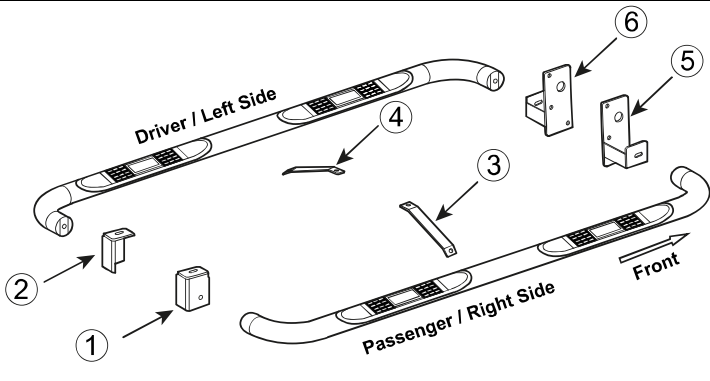
Driver Side Installation Pictured



No.	Parts Identification
1	Passenger / Right 'Rear' Bracket marked "PR"
2	Driver / Left 'Rear' Bracket marked "DR"
3	Passenger / Right 'Center' Bracket marked "PC"
4	Driver / Left 'Center' Bracket marked "DC"
5	Passenger / Right 'Front' Bracket marked "PF"
6	Driver / Left 'Front' Bracket marked "DF"

Note:

- This guide is to identify the parts and not a reference for part count.
- For part count, refer Parts List.
- Product / Bracket image is representative and actual design may vary.



PRODUCT CARE

- Periodically check the product to ensure all fasteners are tight and components are intact.
- Regular waxing is recommended to protect the finish of the product.
- **Use ONLY Non-Abrasive automotive wax.** Use of any soap, polish or wax that contains an abrasive is detrimental and can scratch the finish leading to corrosion.
- Aluminum polish may be used to polish small scratches and scuffs for **Stainless Steel finish.**
- Mild soap may be used to clean the product for both **Stainless Steel and Black finish.**

FAQ's

1. Hardware's are not of correct size.

In GMC / Chevrolet truck model 2006 & up, customer needs to reuse the factory body bolts to install the bracket. If your vehicle is not GMC / Chevrolet 2006 & up, ensure that holes are not partially covered with any plastic grommet or rust? If it is, remove the plastic grommet & rust from the thread holes & re-try the installation.

2. Mounting Bracket are not getting Installed properly.

In some cases Illustration images shown in Installation manual may not be the exactly same as per actual vehicle images ,also if Driver / Passenger side mounting brackets are very identical in the design, suggest referring Parts Identification guide to avoid fitment issue.

3. Products are thumping / rattling after installation.

Ensure that all required mounting brackets / hardware's are installed & tighten correctly. Suggest using white lithium / regular grease between the metal to metal contact surfaces.

4. Side Bar is not aligning with vehicle / Step Pads are not aligning with vehicle doors.

Side bar may be interchanged or mounting brackets are not installed at the correct position in the vehicle. Refer Parts identification guide.

5. Missing / Excess Hardware.

Recheck hardware count as per the part list.

6. Product not installing properly.

Ensure make model year, cab length and bed size of your vehicle is listed in the application. All installation steps are followed correctly.

Check out these other TrailFX Products!!

www.TrailFX.com



Keystone Automotive Operations Inc. (KAO) warrants this product to be free of defects in material and workmanship at the time of purchase by the original retail consumer. KAO disclaims any other warranties, express or implied, including the warranty of fitness for a particular purpose or an intended use. If the product is found to be defective, KAO may replace or repair the product at our option, when the product is returned prepaid, with proof of purchase. Alteration to, improper installation, or misuse of this product voids the warranty. KAO's liability is limited to repair or replacement of products found to be defective, and specifically excludes liability for any incidental or consequential loss or damage.