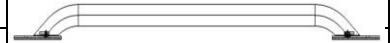


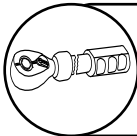


# Bolt-On Bed Rail

## Part No. D0002S/B



Fits: 2014-Current Chevrolet Silverado/GMC Sierra 1500 5.5' Short Bed



REMOVE CONTENTS FROM BOX. VERIFY ALL PARTS ARE PRESENT.

READ INSTRUCTIONS CAREFULLY BEFORE STARTING INSTALLATION.

DO NOT OVER TORQUE. STANDARD OPERATING LOAD FOR TIGHTENING BODY MOUNT NUTS & BOLTS VARIES FROM 35 TO 40 FOOT POUND FOR M10.



60-180 min



CUTTING IS REQUIRED



DRILLING NOT REQUIRED



support@trailfx.com



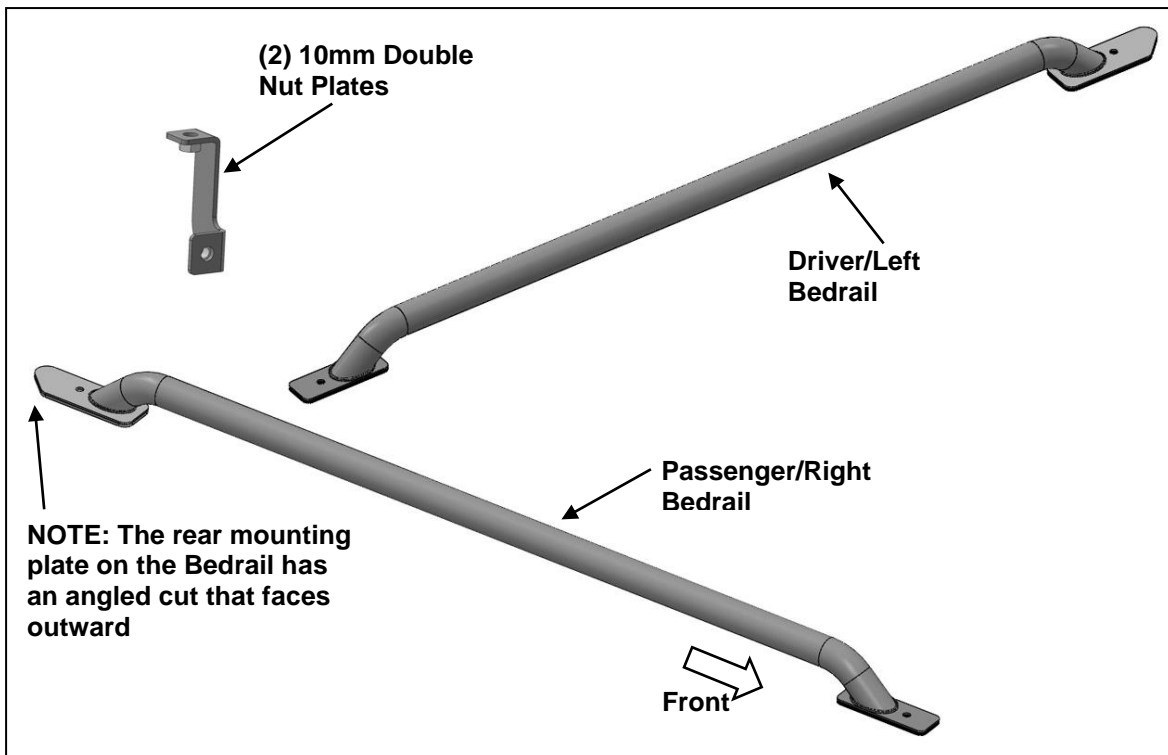
1 866 638 4870



POLISHED STAINLESS STEEL - LIMITED LIFETIME  
POWDER COATED BLACK - 3 YEARS

### PARTS LIST:

Qty	Part Description	Qty	Part Description
1	Driver/Left Bedrail	2	10mm x 34mm OD x 3mm Flat Washers
1	Passenger/Right Bedrail	4	10mm x 20mm OD x 2mm Flat Washers
2	10mm Double Nuts Plates	6	10mm Lock Washers
2	80mm Rectangular Threaded Plate	1	6mm Hex Wrench
4	10-1.50mmx 50mm Button Head Bolts	1	3mm Hex Wrench
2	10mm x 25mm Hex Bolts		

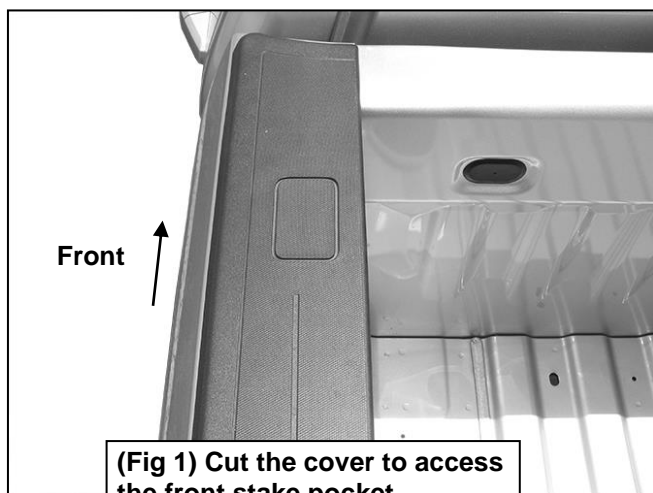


### PROCEDURE:

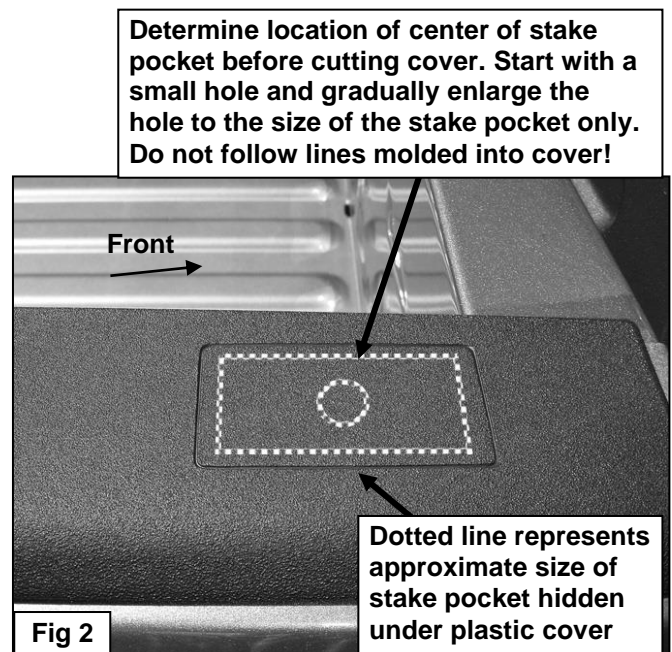
1. **REMOVE CONTENTS FROM BOX. VERIFY ALL PARTS ARE PRESENT. READ INSTRUCTIONS CAREFULLY BEFORE STARTING INSTALLATION. CUTTING MAY BE REQUIRED. VERIFY BEDRAIL IS CORRECT LENGTH TO COVER STAKE POCKETS BEFORE CUTTING!**
2. On models with factory equipped plastic bedside covers, determine if there is a separate removable cover over each of the rear stake pockets. Move to the front of the bed and locate the stake pocket, **(Figure 1)**. Determine the center of the stake pocket. Carefully cut or drill a small opening in the plastic cover in the center of the stake pocket. **WARNING**, verify exact location of stake pocket before drilling/cutting plastic cover or damage to top of bedside may result. Gradually enlarge the opening to the size of the stake pocket only, **(Figure 2)**. **IMPORTANT**, Check factory guide lines molded into the plastic cover before cutting as these lines may not represent the correct location or size of the stake pocket and may be larger than the actual stake pocket opening.
3. Select the Passenger/Right Bedrail. Insert (1) 10mm x 50mm Button Head Bolt, (1) 10mm Lock Washer and (1) 10mm Flat Washer through the front mounting plate. Partially thread (1) Threaded Plate onto the Bedrail, **(Figure 3)**.
4. Repeat **Step 3** to attach (1) Threaded Plate onto the front mounting plate on the Driver/Left Bedrail.
5. Move to the Passenger/Right rear of the bed. Remove the plug in the side of the bed, **(Figure 4)**. Select (1) 10mm Double Nut Plate. Insert the Nut Plate into the rear stake pocket and attach the Bracket to the mounting hole with (1) 10mm x 25mm Hex Bolt, (1) 10mm Lock Washer and (1) 10mm Flat Washer, **(Figures 5—7)**. Do not tighten hardware at this time.
6. Repeat **Step 5** to attach (1) 10mm Double Nut Plate to the Driver/Left side of the vehicle.
7. Position the Passenger/Right Bedrail onto the top of the bed. Attach the front of the Bedrail by tilting the Bolt and/or Bedrail until one side of the Plate engages the lip on the pocket. Once one side of the Threaded Plate is in place under the lip, slide the Plate completely into the stake pocket until the opposite end of the Plate is in place across the pocket, **(Figures 8 & 9)**. **NOTE**: Threaded Plate can be installed across (preferred) or in line with stake pocket.
8. To tighten the Threaded Plate, pull up on the Bedrail to hold the plate in place and centered across the pocket. Keep pulling up on the Bedrail to prevent the Plate from moving/rotating while tightening the Mounting Bolt. Tighten the Bolt until it is snug but do not fully tighten at this time, **(Figure 9)**.
9. Attach the rear of the Passenger/Right Bedrail to the 10mm Double Nut Plate with (1) 10mm x 50mm Button Head Bolt, (1) 10mm Lock Washer and (1) 10mm Flat Washers, **(Figure 10)**. Do not tighten hardware at this time.
10. Level and adjust the Bedrail and tighten all hardware.
11. Repeat **Steps 7—10** to attach the Driver/Left Bedrail.
12. Do periodic inspections to the installation to make sure that all hardware is secure and tight.

**To protect your investment**, wax this product after installing. Regular waxing is recommended to add a protective layer over the finish. Do not use any type of polish or wax that may contain abrasives that could damage the finish.

**For stainless steel**: Aluminum polish may be used to polish small scratches and scuffs on the finish. Mild soap may be used also to clean the Bedrails.

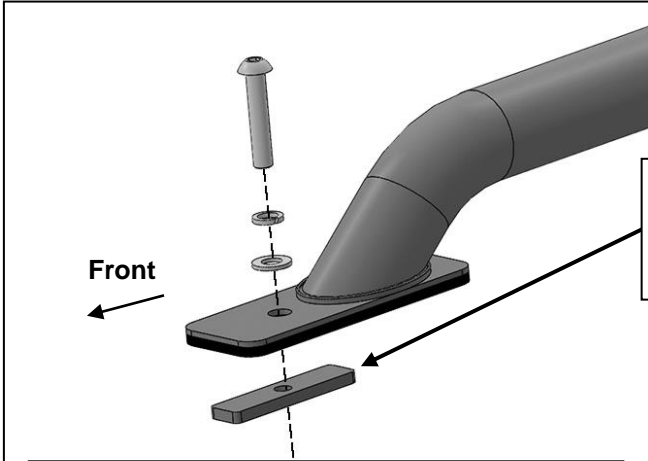


**(Fig 1) Cut the cover to access the front stake pocket**



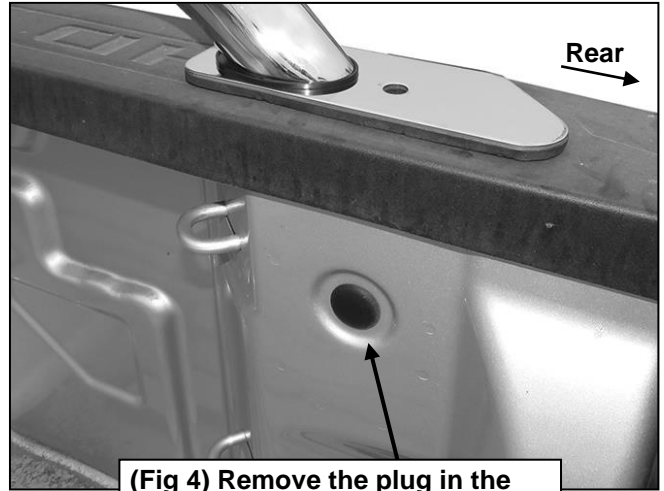
**Fig 2**

**Note that size of stake pocket may be smaller than line molded into cover by factory. Determine location of stake pocket before cutting cover. Picture for example only, actual vehicle may be different.**

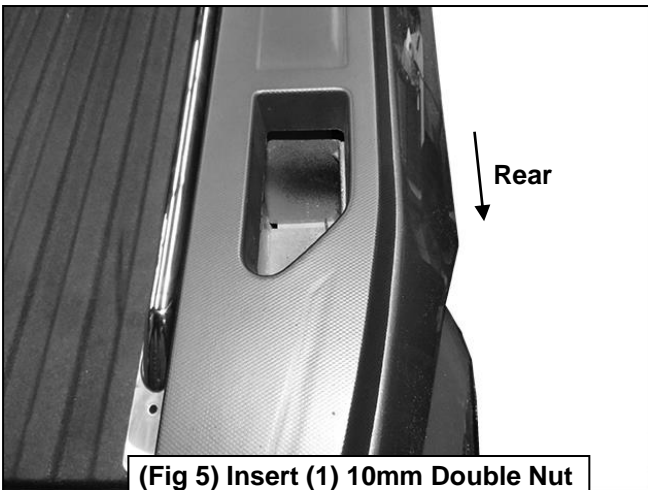


- 10mm x 50mm Button Head Bolt
- 10mm Lock Washer
- 10mm Flat Washer
- 80mm Rectangular Threaded Plate

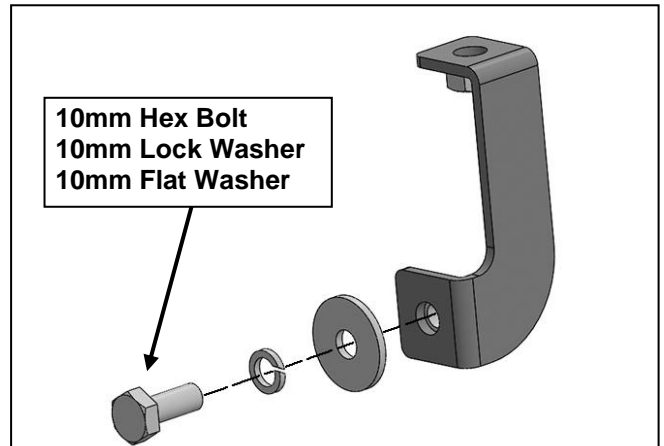
**(Fig 3) Attach (1) 8mm Threaded Plate to the front of the Bedrail. (NOTE: Thread Bolt into the Plate until the bolt is flush with the Plate)**



**(Fig 4) Remove the plug in the hole under the rear stake pocket**

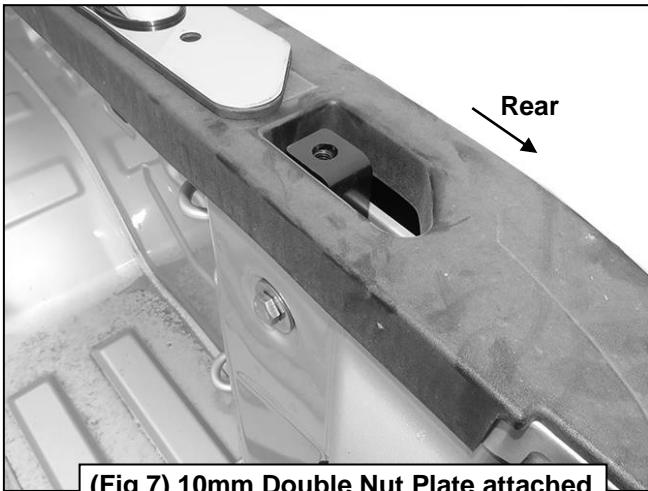


**(Fig 5) Insert (1) 10mm Double Nut Plate into the rear stake pocket**

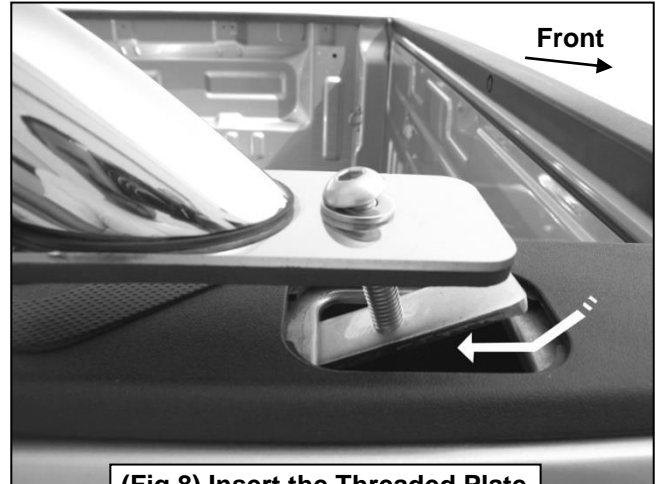


- 10mm Hex Bolt
- 10mm Lock Washer
- 10mm Flat Washer

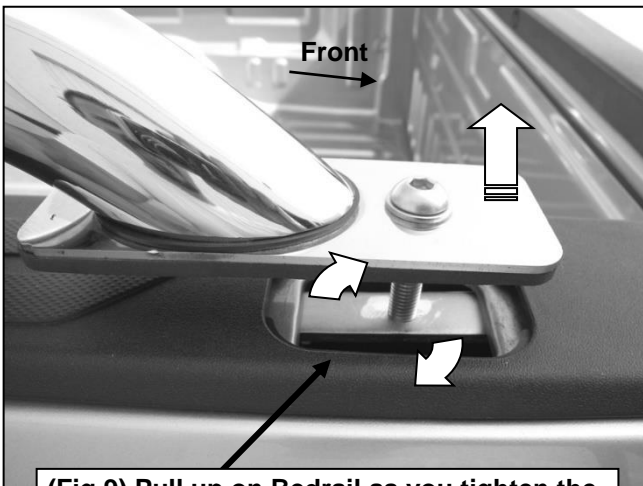
**(Fig 6) Attach (1) 10mm Double Nut Plate inside the rear stake pocket**



**(Fig 7) 10mm Double Nut Plate attached inside the rear stake pocket**

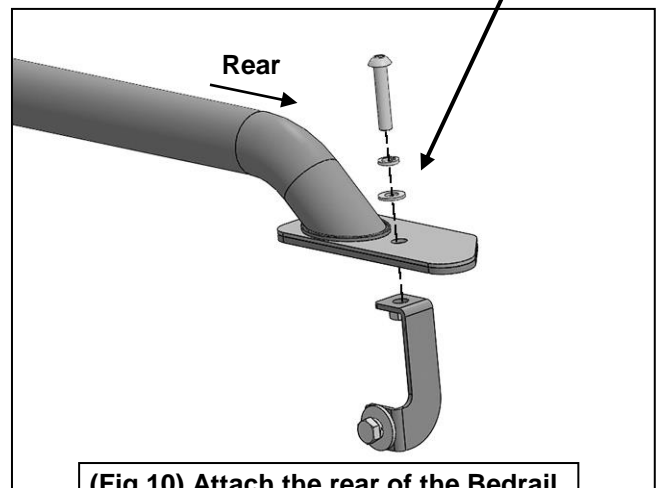


**(Fig 8) Insert the Threaded Plate into the front stake pocket**



**(Fig 9) Pull up on Bedrail as you tighten the mounting screw to hold the threaded plate in place against inside of stake pocket**

- 10mm Button Head Bolt
- 10mm Lock Washer
- 10mm Flat Washer



**(Fig 10) Attach the rear of the Bedrail to the 10mm Double Nut Plate**

**PRODUCT CARE**

- Periodically check the product to ensure all fasteners are tight and components are intact.
- Regular waxing is recommended to protect the finish of the product.
- **Use ONLY Non-Abrasive automotive wax.** Use of any soap, polish or wax that contains an abrasive is detrimental and can scratch the finish leading to corrosion.
- Aluminum polish may be used to polish small scratches and scuffs for **Stainless Steel finish.**
- Mild soap may be used to clean the product for both **Stainless Steel and Black finish.**

**FAQ'S****1. Hardware's are not of correct size.**

*In GMC / Chevrolet truck model 2006 & up, customer needs to reuse the factory body bolts to install the bracket. If your vehicle is not GMC / Chevrolet 2006 & up, ensure that holes are not partially covered with any plastic grommet or rust? If it is, remove the plastic grommet & rust from the thread holes & re-try the installation.*

**2. Mounting Bracket are not getting Installed properly.**

*In some cases Illustration images shown in Installation manual may not be the exactly same as per actual vehicle images ,also if Driver / Passenger side mounting brackets are very identical in the design, suggest referring Parts Identification guide to avoid fitment issue.*

**3. Products are thumping / rattling after installation.**

*Ensure that all required mounting brackets / hardware's are installed & tighten correctly. Suggest using white lithium / regular grease between the metal to metal contact surfaces.*

**4. Side Bar is not aligning with vehicle / Step Pads are not aligning with vehicle doors.**

*Side bar may be interchanged or mounting brackets are not installed at the correct position in the vehicle. Refer Parts identification guide.*

**5. Missing / Excess Hardware.**

*Recheck hardware count as per the part list.*

**6. Product not installing properly.**

*Ensure make model year, cab length and bed size of your vehicle is listed in the application. All installation steps are followed correctly.*

**Check out these other TrailFX Products!!**

[www.TrailFX.com](http://www.TrailFX.com)

**BULL BAR****GRILLE GUARDS****BED RAILS****RUNNING BOARDS**

*Keystone Automotive Operations Inc. (KAO) warrants this product to be free of defects in material and workmanship at the time of purchase by the original retail consumer. KAO disclaims any other warranties, express or implied, including the warranty of fitness for a particular purpose or an intended use. If the product is found to be defective, KAO may replace or repair the product at our option, when the product is returned prepaid, with proof of purchase. Alteration to, improper installation, or misuse of this product voids the warranty. KAO's liability is limited to repair or replacement of products found to be defective, and specifically excludes liability for any incidental or consequential loss or damage.*