



Grille Guard

Part No. E0031S/B



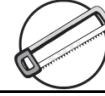
Fits: **2016-Current Nissan Titan "XD"**



Diesel And Gas Engine



60-180 min



Cutting Required



Drilling Not Required



REMOVE CONTENTS FROM BOX. VERIFY ALL PARTS ARE PRESENT.



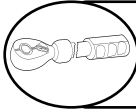
support@trailfx.com



READ INSTRUCTIONS CAREFULLY BEFORE STARTING INSTALLATION.



1 866 638 4870



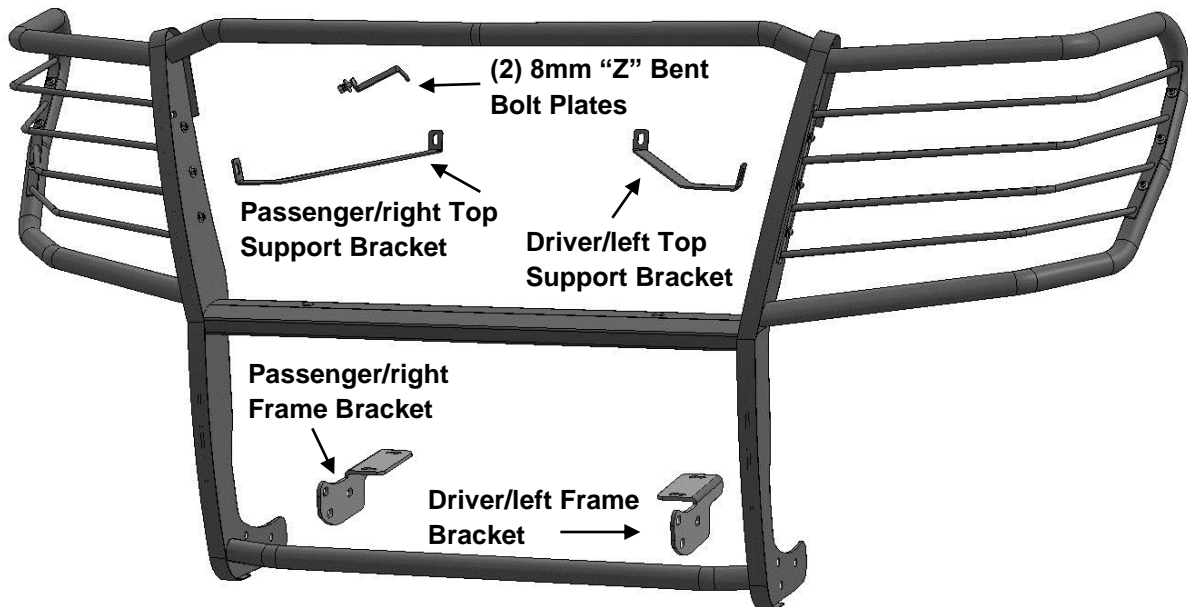
DO NOT OVER TORQUE. STANDARD OPERATING LOAD FOR TIGHTEN BODY MOUNT NUTS & BOLTS VARIES FROM **45** TO **65** FOOT POUND.



POLISHED STAINLESS STEEL – LIMITED LIFETIME
POWDER COATED BLACK – 3 YEARS

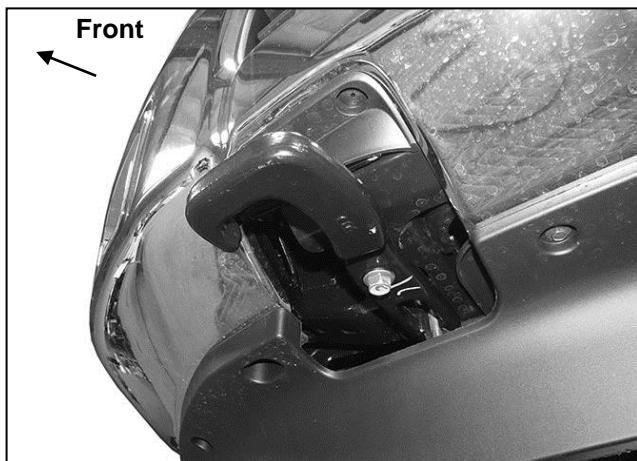
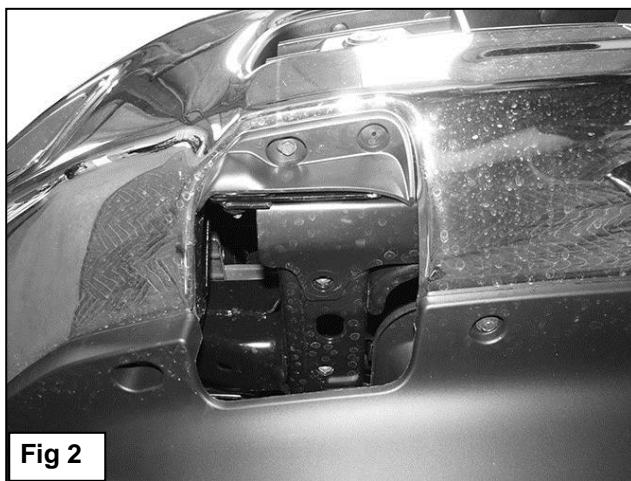
PARTS LIST:

Qty	Part Description	Qty	Part Description
1	Grille Guard	10	12mm Lock Washers
1	Driver/left Frame Bracket	6	12mm Hex Nuts
1	Passenger/right Frame Bracket	2	8-1.25mm x 25mm "Z" Bolt Plates
1	Driver/left Top Support Bracket	2	8-1.25mm x 25mm Button Head Bolts
1	Passenger/right Top Support Bracket	6	8mm x 24mm OD x 2mm Flat Washers
4	12-1.25mm x 55mm SPECIAL Fine Thread Hex Bolts	4	8mm Lock Washers
6	12-1.75mm x 35mm Hex Bolts	4	8mm Hex Nuts
16	12mm x 32mm OD x 3mm Large Flat Washers	1	Wrench

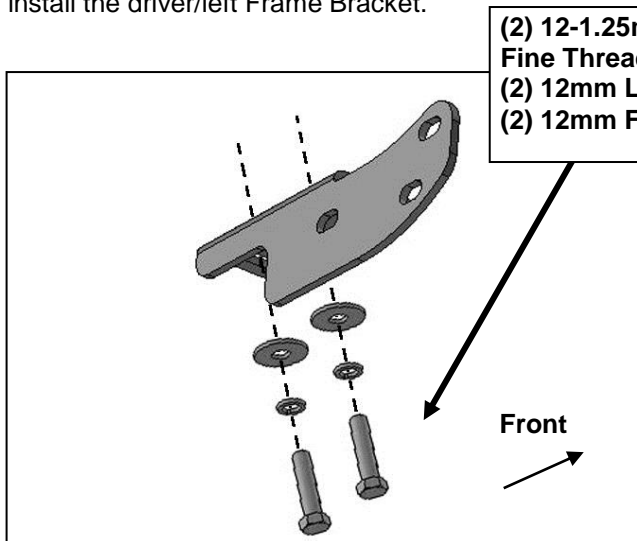


INSTALLATION PROCEDURE:

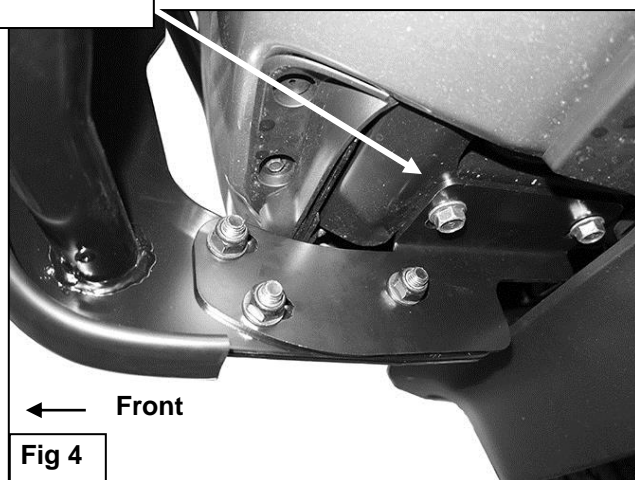
- Starting from under the front of the vehicle, remove the factory tow hooks if equipped, **(Figures 1 & 2)**.
NOTE: Tow hooks cannot be reinstalled.

**(Fig 1) Remove factory tow hooks if equipped****Fig 2**

- Select the passenger/right Frame Mounting Bracket, **(Figure 3)**. Use the included (2) 12-1.25mm x 55mm **SPECIAL Fine Thread** Hex Bolts, (2) 12mm Lock Washers and (2) 12mm Flat Washers to attach the Mounting Bracket to the holes in the bottom of the frame, **(Figures 3 & 4)**. Do not tighten hardware at this time. Repeat to install the driver/left Frame Bracket.

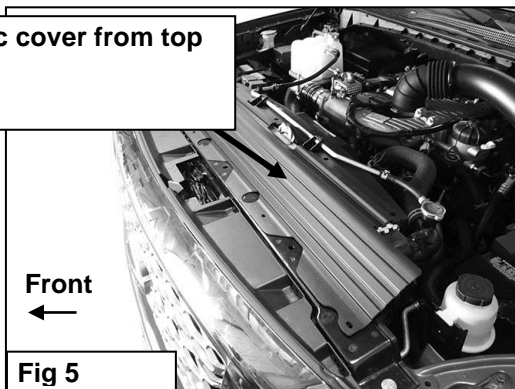
**(Fig 3) Passenger/right Frame Bracket**

(2) 12-1.25mm x 55mm
Fine Thread Hex Bolts
(2) 12mm Lock Washers
(2) 12mm Flat Washers

**Fig 4**

- Open the hood and remove the plastic cover from the top of the radiator, **(Figure 5)**. Next, remove the clips attaching the top and center of the grille. Leave the bottom of the grille attached at this time. **NOTE:** The grille is held in place with several plastic lock clips. Insert a flat blade screwdriver into the slot in the lock clip and rotate approximately 1/4-turn to release lock clips.

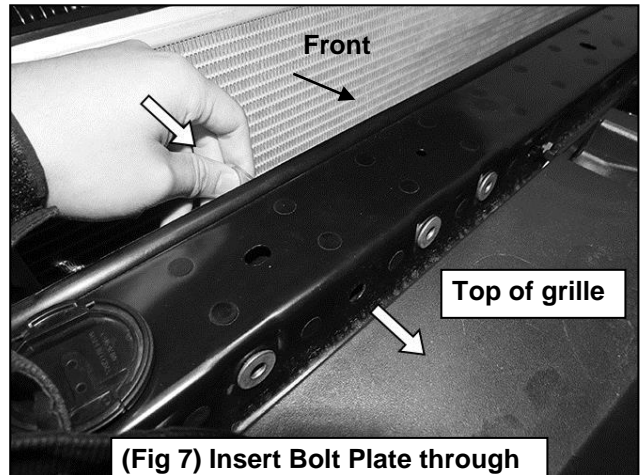
Remove plastic cover from top
of radiator

**Fig 5**

4. Select (1) 8mm "Z" Bolt Plate, **(Figure 6)**. Locate the factory hole in the radiator core support, **(Figures 7 & 10)**. Insert the Bolt Plate from the back and out through the front of the core support, **(Figure 8)**. Tilt the grille forward slightly for access. Temporarily hold the Bolt Plate in place with (1) 8mm Flat Washer, (1) 8mm Lock Washer and (1) 8mm Hex Nut, **(Figure 9)**. Leave hardware loose at this time. Repeat to install the driver/left Bolt Plate.

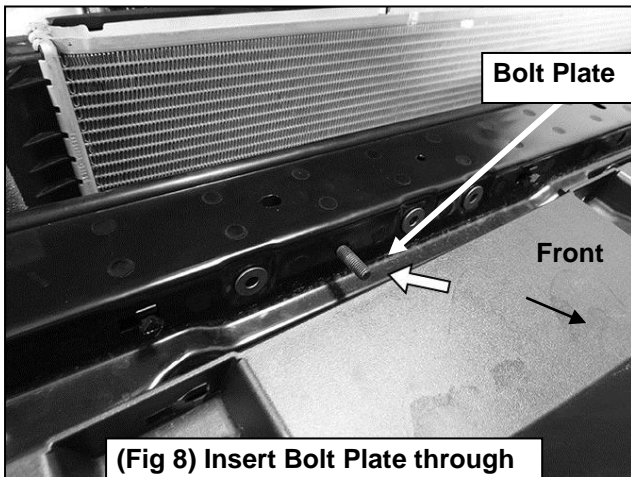


(Fig 6) 8mm "Z" Bolt Plate

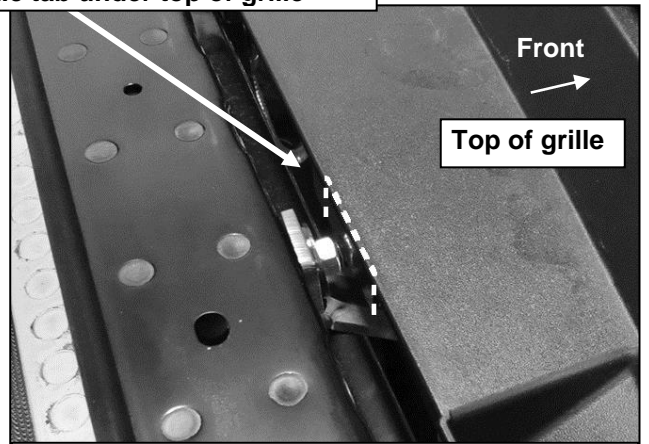


(Fig 7) Insert Bolt Plate through back of radiator cross-member

Dashed line indicates location of plastic tab under top of grille

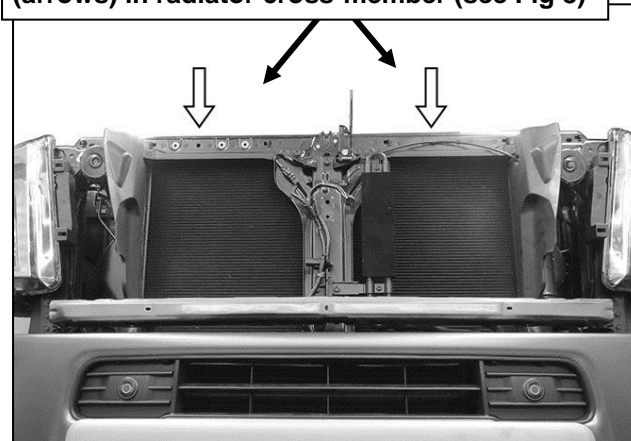


(Fig 8) Insert Bolt Plate through back of radiator cross-member



(Fig 9) Mark plastic to cut to clear Top Bracket

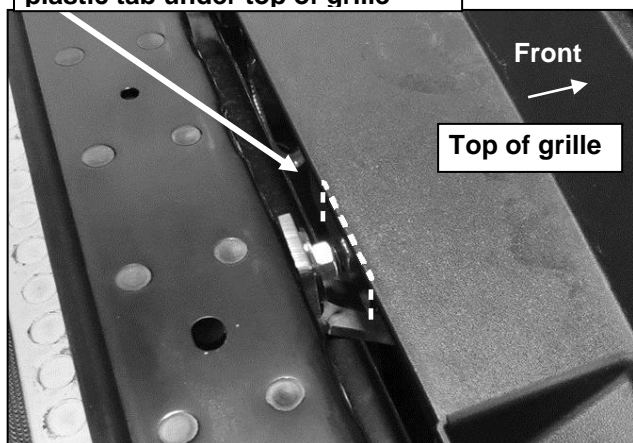
Top Support Brackets attach to holes (arrows) in radiator cross-member (see Fig 8)



(Fig 10) Remove the grille to cut off plastic tabs to clear Support Brackets. Once properly cut, Reattach grille at bottom only

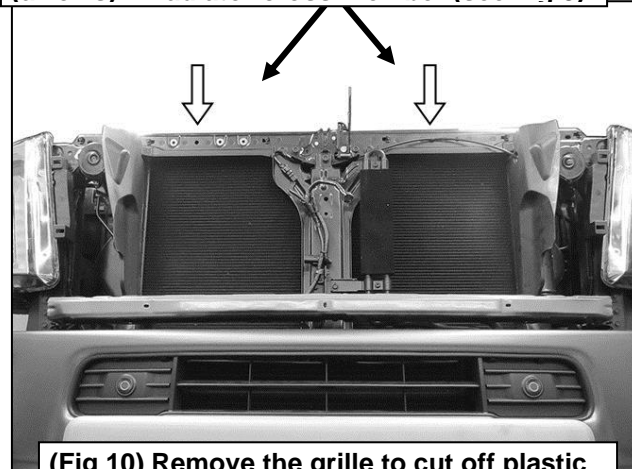
5. Push the grille assembly back against the Bolt Plate hardware. Mark the locations where the plastic tabs on the underside/back of the top cover on the grille hit the 8mm hardware, **(Figure 9)**. Temporarily remove the grille assembly and move it to a clean, stable work surface, **(Figure 10)**.

Dashed line indicates location of plastic tab under top of grille



(Fig 9) Mark plastic to cut to clear Top Bracket

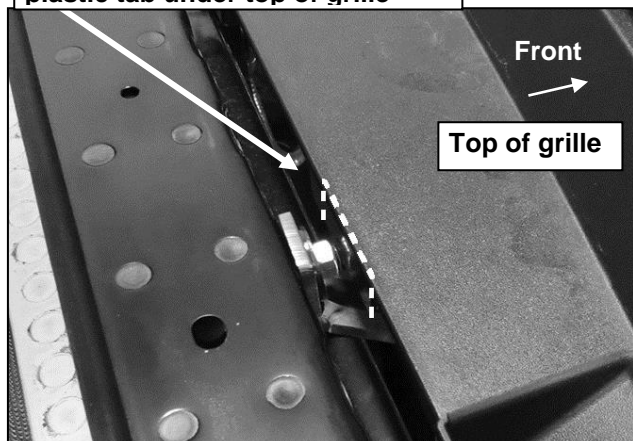
Top Support Brackets attach to holes (arrows) in radiator cross-member (see Fig 8)



(Fig 10) Remove the grille to cut off plastic tabs to clear Support Brackets. Once properly cut, Reattach grille at bottom only

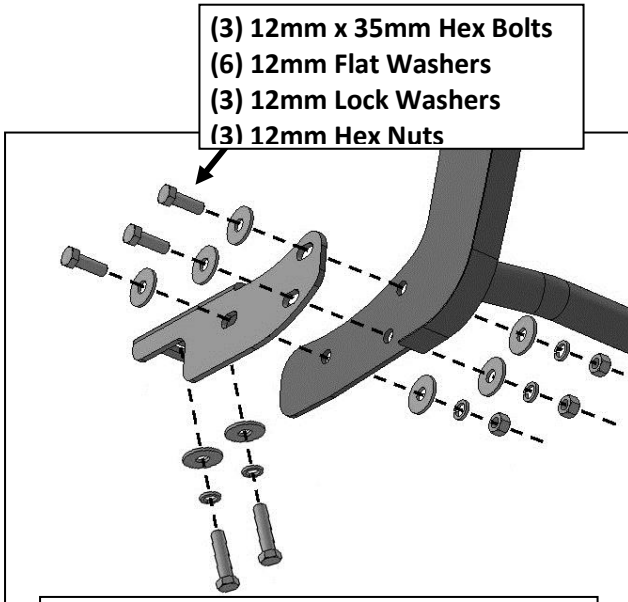
6. Use a sharp knife or hacksaw blade to carefully cut the plastic tabs off of the underside of the cover to clear the hardware, **(Figure 9)**. **IMPORTANT:** The cover must fit tight against the radiator core support. Only remove the plastic material under the cover interfering with the fit of the cover.

Dashed line indicates location of plastic tab under top of grille



(Fig 9) Mark plastic to cut to clear Top Bracket

7. Reattach the grille assembly at the bottom only, do not reattach the top of the grille at this time.
8. With assistance, position the Grille Guard onto the outside of the Frame Mounting Brackets. Attach the Grille Guard to the Brackets with the included (6) 12-1.75mm x 35mm Coarse Thread Hex Bolts, (12) 12mm Flat Washers, (6) 12mm Lock Washers and (6) 12mm Hex Nuts, **(Figures 11 & 12)**. Do not tighten hardware at this time.



(Fig 11) Attach Grille Guard to Frame Brackets (passenger/right side illustrated)

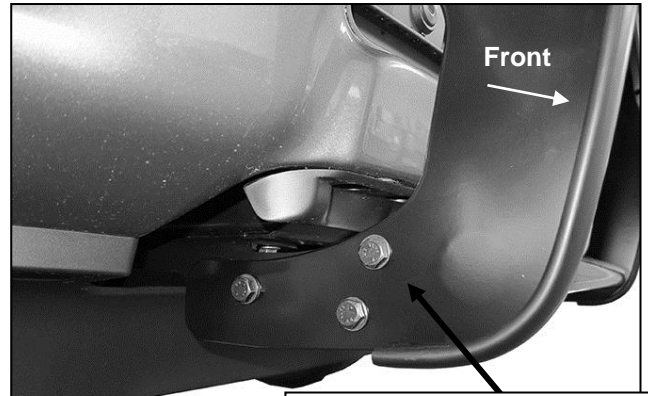
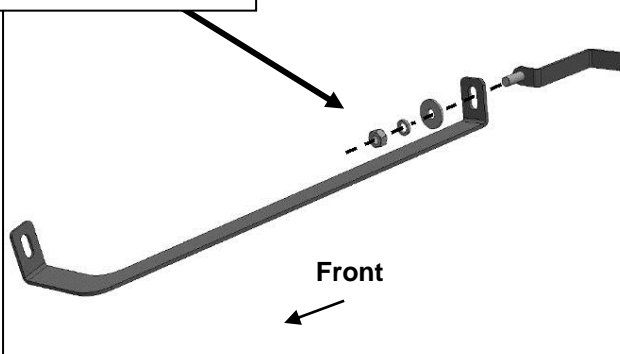


Fig 12

(3) 12mm x 35mm Hex Bolts
(6) 12mm Flat Washers
(3) 12mm Lock Washers
(3) 12mm Hex Nuts

9. Select the passenger/right Top Support Bracket, (Figure 13). Insert the Support Bracket through the correct opening in the grille so that the Bracket will properly line up with the factory hole in the radiator core support, (See Step 6), and the upright on Grille Guard, (Figures 14 & 15). Reinstall the 8mm Bolt Plate into the factory hole in the passenger side of the radiator core support. Carefully pull the top of the grille forward to access the 8mm Bolt Plate, (Figure 9). Attach the inner end of the Top Support Bracket to the Bolt Plate with (1) 8mm Flat Washer, (1) 8mm Lock Washer and (1) 8mm Hex Nut, (Figures 14 & 15). Attach the outer end of the Top Bracket to the upright with (1) 8mm x 25mm Button Head Bolt, (2) 8mm Flat Washers, (1) 8mm Lock Washer and (1) 8mm Hex Nut, (Figure 16). Do not tighten at this time. Repeat to install the driver/left Top Support Bracket.

8mm Flat Washer
8mm Lock Washer
8mm Hex Nut



(Fig 13) Passenger/right Top Support Bracket

8mm Z Bolt Plate
8mm Flat Washer
8mm Lock Washer
8mm Hex Nut

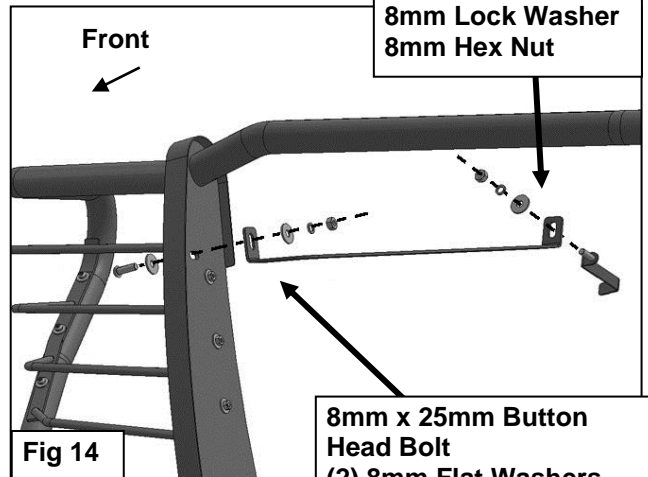
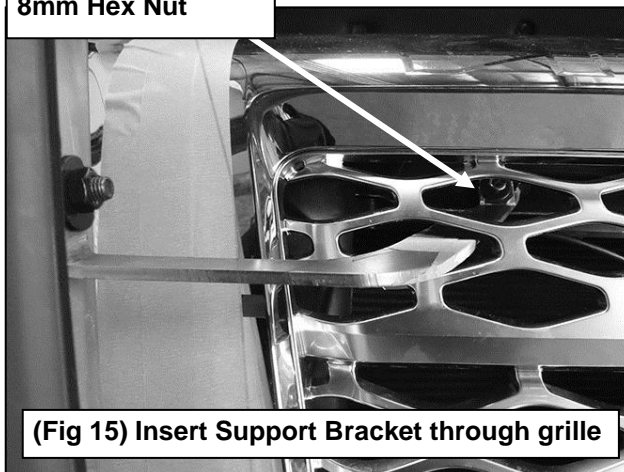


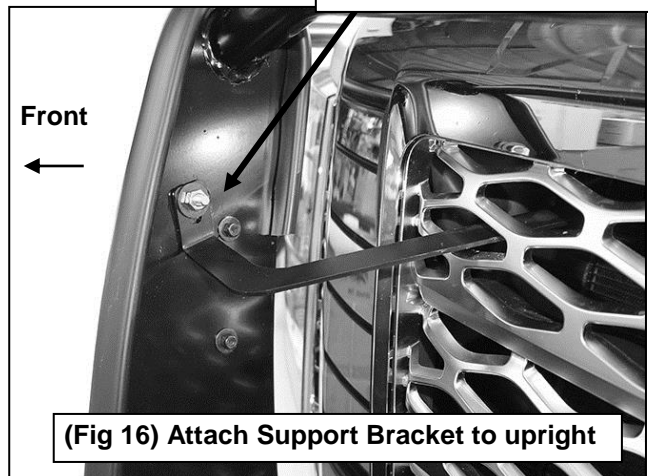
Fig 14

8mm x 25mm Button Head Bolt
(2) 8mm Flat Washers
8mm Lock Washer
8mm Hex Nut

8mm Z Bolt Plate
8mm Flat Washer
8mm Lock Washer
8mm Hex Nut



(Fig 15) Insert Support Bracket through grille



(Fig 16) Attach Support Bracket to upright

10. Level and adjust the Grille Guard and tighten all hardware at this time including all Top Support Bracket hardware.
11. Reattach the grille assembly and the plastic cover on the radiator.
12. Do periodic inspections to the installation to make sure that all hardware is secure and tight.



PRODUCT CARE

- Periodically check the product to ensure all fasteners are tight and components are intact.
- Regular waxing is recommended to protect the finish of the product.
- **Use ONLY Non-Abrasive automotive wax.** Use of any soap, polish or wax that contains an abrasive is detrimental and can scratch the finish leading to corrosion.
- Aluminum polish may be used to polish small scratches and scuffs for **Stainless Steel finish.**
- Mild soap may be used to clean the product for both **Stainless Steel and Black finish.**

FAQ's**1. Hardware's are not of correct size.**

In GMC / Chevrolet truck model 2006 & up, customer needs to reuse the factory body bolts to install the bracket. If your vehicle is not GMC / Chevrolet 2006 & up, ensure that holes are not partially covered with any plastic grommet or rust? If it is, remove the plastic grommet & rust from the thread holes & re-try the installation.

2. Mounting Bracket are not getting Installed properly.

In some cases Illustration images shown in Installation manual may not be the exactly same as per actual vehicle images ,also if Driver / Passenger side mounting brackets are very identical in the design, suggest referring Parts Identification guide to avoid fitment issue.

3. Products are thumping / rattling after installation.

Ensure that all required mounting brackets / hardware's are installed & tighten correctly. Suggest using white lithium / regular grease between the metal to metal contact surfaces.

4. Side Bar is not aligning with vehicle / Step Pads are not aligning with vehicle doors.

Side bar may be interchanged or mounting brackets are not installed at the correct position in the vehicle. Refer Parts identification guide.

5. Missing / Excess Hardware.

Recheck hardware count as per the part list.

6. Product not installing properly.

Ensure make model year, cab length and bed size of your vehicle is listed in the application. All installation steps are followed correctly.

Check out these other TrailFX Products!!

www.TrailFX.com



SIDE BAR



HEADACHE RACKS



RUNNING BOARDS



ROCKER GUARDS

Keystone Automotive Operations Inc. (KAO) warrants this product to be free of defects in material and workmanship at the time of purchase by the original retail consumer. KAO disclaims any other warranties, express or implied, including the warranty of fitness for a particular purpose or an intended use. If the product is found to be defective, KAO may replace or repair the product at our option, when the product is returned prepaid, with proof of purchase. Alteration to, improper installation, or misuse of this product voids the warranty. KAO's liability is limited to repair or replacement of products found to be defective, and specifically excludes liability for any incidental or consequential loss or damage.