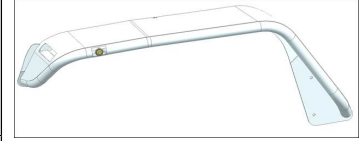


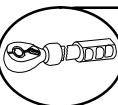


# FRONT STEEL FENDER

Part No. JL05FF



Fits: 2018 + JEEP Wrangler JL / JLU



REMOVE CONTENTS FROM BOX. VERIFY ALL PARTS ARE PRESENT.

READ INSTRUCTIONS CAREFULLY BEFORE STARTING INSTALLATION.

DO NOT OVER TORQUE. STANDARD OPERATING LOAD FOR TIGHTEN BODY MOUNT NUTS & BOLTS VARIES FROM 45 TO 65 FOOT POUND.



60-180 min



CUTTING MAYBE REQUIRED



DRILLING NOT REQUIRED



support@trailfx.com



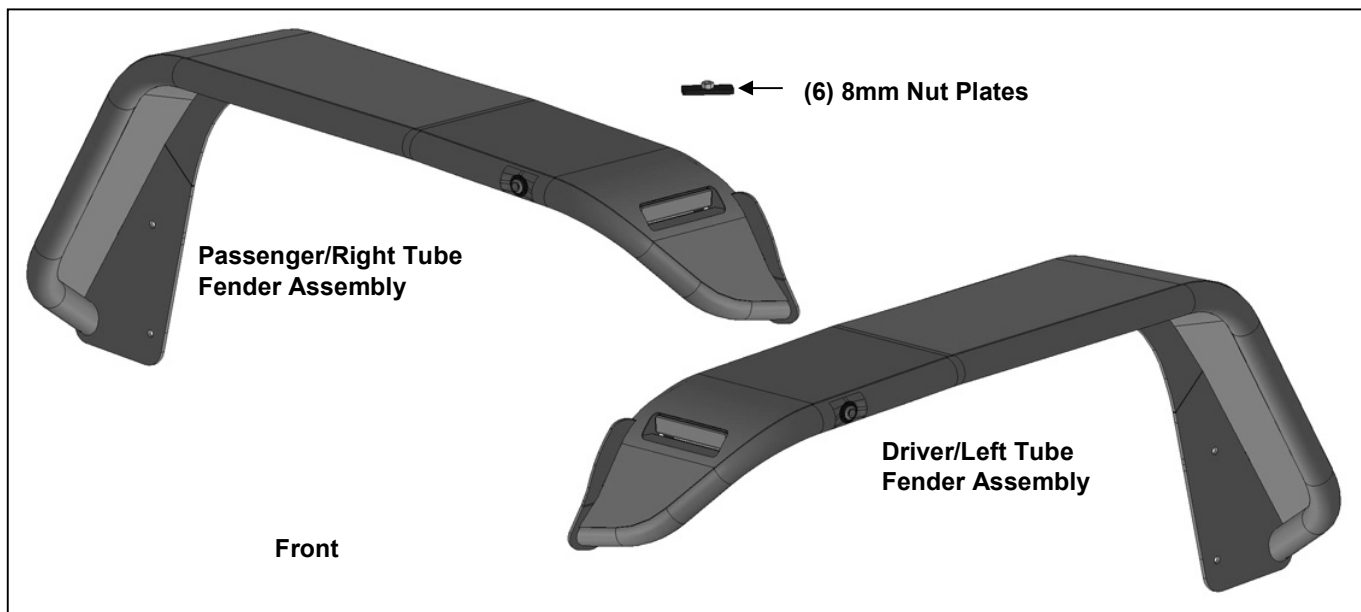
1 866 638 4870



LIMITED 3-YEAR WARRANTY

### PARTS LIST:

Qty	Part Description	Qty	Part Description
1	Driver/Left Fender Assembly	2	8-1.25mm Hex Nut
1	Passenger/Right Fender Assembly	12	6-1.0mm x 25mm Button Head Bolts
6	8mm Nut Plates	12	6mm x 12mm x 1.6mm Flat Washers
2	8-1.25mm x 25mm Button Head Bolts	12	6mm Lock Washers
2	8-1.25mm x 25mm Hex Bolts	12	6mm Flange Nuts
4	8-1.25mm x 20mm Hex Bolts	1	4mm Wrench
10	8mm x 16mm x 1.6mm Flat Washers	1	5mm Wrench
8	8mm Lock Washers	10	Wire Ties



### PROCEDURE:

REMOVE CONTENTS FROM BOX. VERIFY ALL PARTS ARE PRESENT. READ INSTRUCTIONS CAREFULLY. CUTTING AND MODIFICATION IS REQUIRED TO REINSTALL THE PLASTIC FENDER LINER. ASSISTANCE IS RECOMMENDED.

1. Start installation on the driver side of the vehicle. Release the plastic clips attaching the liner to the outer edge of the fender and the body, **(Figure 1)**. Locate and remove the bolts attaching the fender liner at the front and top of the liner and remove the fender liner, **(Figure 2)**.
2. Unplug the wiring harness leading from the body to the fender.
3. Next, release the plastic clips attaching the fender to the body. Firmly pull the fender straight outward from the body to pop the clips from the mounting holes, **(Figure 3)**. **OPTION:** Use a pair of needle nose pliers to reach the back of the clip and squeeze the tabs to release. Remove any clips left attached to the body panel and move the fender to a clean surface.
4. Select the driver/left Tube Front Fender. Carefully place the Fender on the (2) upper mounting channels and front tab. Select (1) 8mm Nut Plate, Slide the Nut Plate into one of the channels on the underside of the fender, **(Figure 4)**. Line up the threaded hole in the Nut Plate with the slot in the channel. Attach the Fender with Nut Plate to the support channel with (1) 8mm x 20mm Hex bolt, (1) 8mm Lock Washer and (1) 8mm Flat Washer, **(Figure 5)**. Do not tighten at this time. Repeat this Step to attach the Fender to the remaining support channel and Nut Plate.
5. Select (1) 8mm Nut Plate, Slide the Nut Plate into the gap between the inner and outer body panel toward the rear of the Fender, **(Figure 6)**. Attach the Fender to the Nut Plate with (1) 8mm x 25mm Button Head Bolt, (1) 8mm Lock Washer and (1) 8mm Flat Washer, **(Figure 7)**. Leave hardware loose.
6. Next, attach the Fender to the mount on the front of the body with the included (1) 8mm x 25mm Hex Bolt, (2) 8mm Flat Washers, (1) 8mm Lock Washer and (1) 8mm Hex Nut, **(Figures 8 & 9)**. Do not tighten hardware at this time.
7. Locate the (6) remaining mounting holes in the Fender and the body panel. Attach the Fender to the body with the included (6) 6mm Button Head Bolts, (6) 6mm Lock Washers and (6) 6mm Flat Washers, **(Figures 10—13)**. Do not fully tighten hardware at this time.
8. Attach the plug on the wiring harness to the factory plug toward back of fender, **(Figure 12)**. **IMPORTANT:** Make sure wiring harness is fully protected from heat and that it cannot come in contact with sharp edges along body and fender. Secure harness to vehicle.
9. Determine if vehicle is equipped with standard light package or option LED light package.

**Models with standard light package:**

- a. Plug wiring harness into main harness and skip to Step 10.

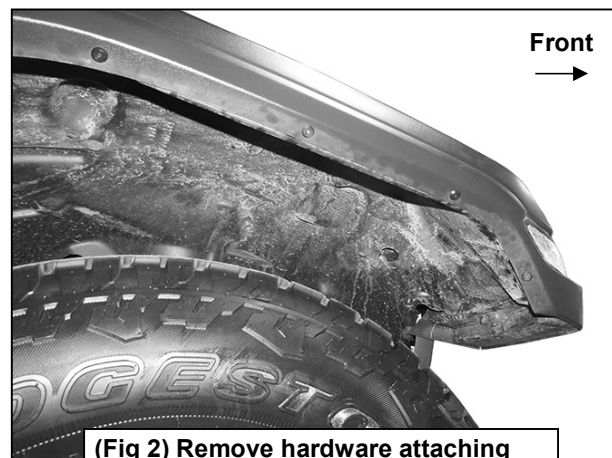
**Models with LED option light package:**

- a. Unplug wires leading into and out of the resistor, **(Figures 14A & 14B)**. Resistor is not required for LED light package.
- b. Seal open plugs on wiring harness with electrical tape.
10. With the fender in place, determine if plastic fender liner will be reinstalled. **NOTE:** Aluminum fender liners, (available separately), are highly recommended.
  - a. Slide plastic fender liner into position.
  - b. Trim the outer edge from the liner to match the Fender. **NOTE:** Actual amount to remove from liner to be determined by installer. Leave as many mounting points on the plastic liner as possible.
  - c. Reinstall modified liner over wiring harness.
11. Adjust the position of the Fender and fully tighten all hardware.
12. Repeat **Steps 1—11** for passenger/right side Tube Fender installation.
13. Do periodic inspections to the installation to make sure that all hardware is secure and tight.

**Driver Side Installation Pictured**



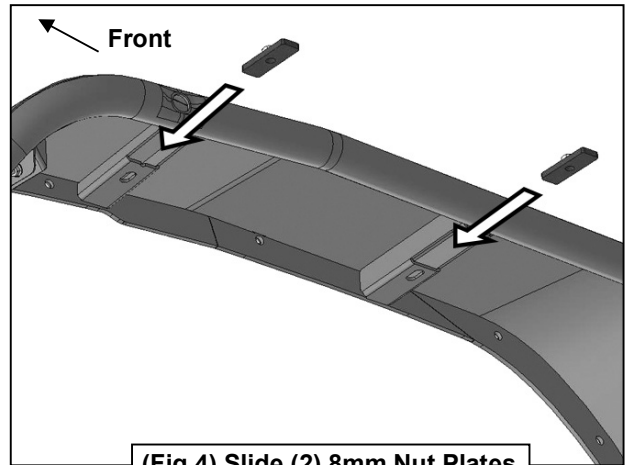
**(Fig 1) Release clips attaching fender liner to outer fender**



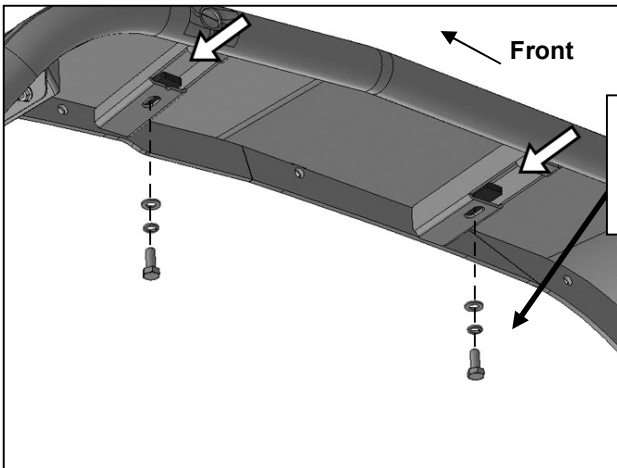
**(Fig 2) Remove hardware attaching fender liner to front, top and back of fender (passenger/right side pictured)**



(Fig 3) Firmly pull fender straight out from vehicle



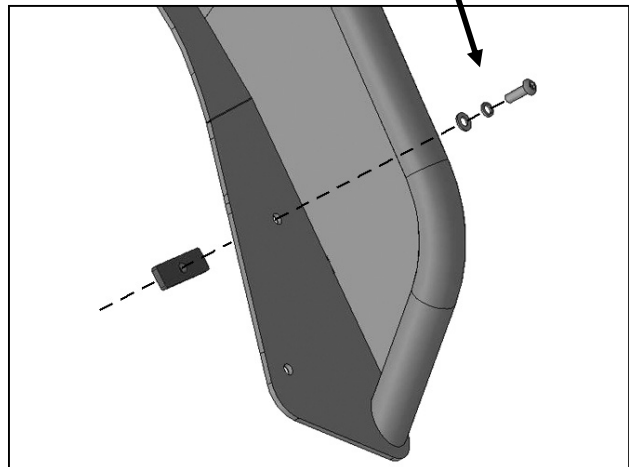
(Fig 4) Slide (2) 8mm Nut Plates into channels under Fender



- (2) 8mm x 20mm Hex Bolts
- (2) 8mm Lock Washers
- (2) 8mm Flat Washers
- (2) 8mm Nut Plates

- 8mm x 25mm Button Head Bolt
- 8mm Lock Washer
- 8mm Flat Washer
- 8mm Nut Plate

(Fig 5) Attach Fender to mounts on side of body

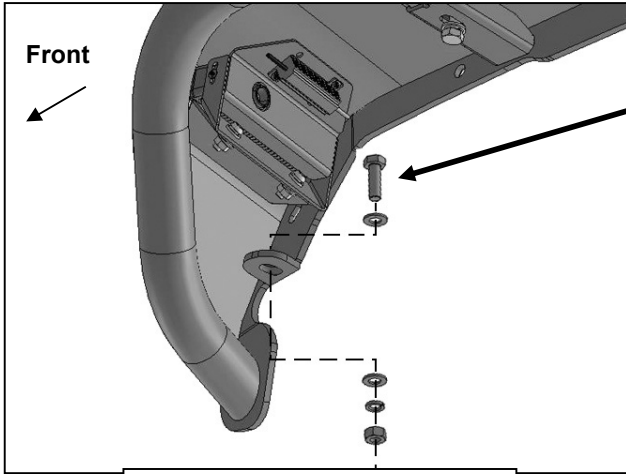


(Fig 6) Slide 8mm Nut Plate behind mounting hole in body panel. Attach Fender to Nut Plate



(Fig 7) Slide 8mm Nut Plate behind mounting hole in body panel. Attach Fender to Nut Plate (Fig 6)

### Driver Side Installation Pictured

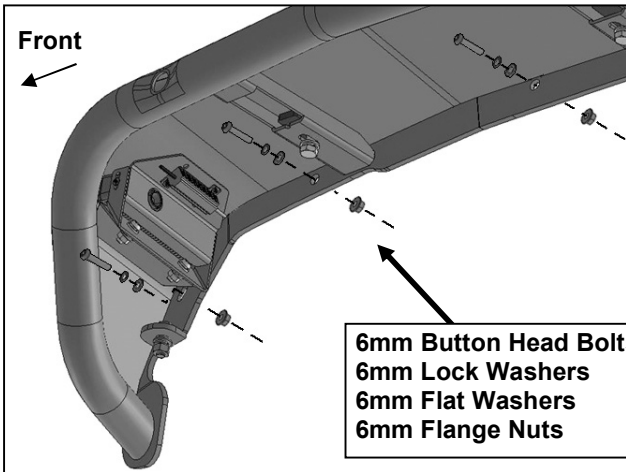


8mm x 25mm Hex Bolt  
(2) 8mm Flat Washers  
8mm Lock Washer  
8mm Hex Nut

(Fig 8) Attach front of Fender to mounting tab on body

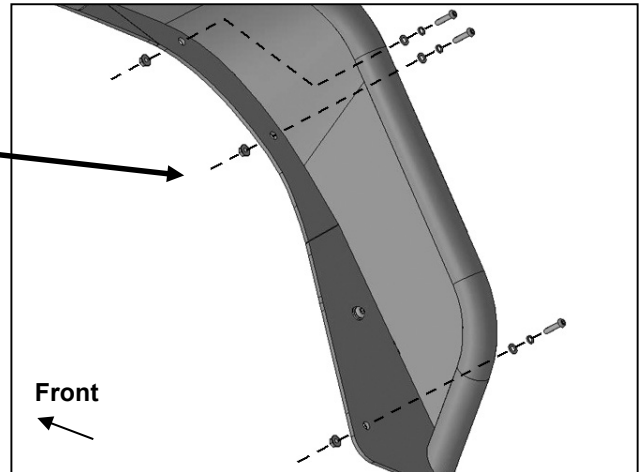


(Fig 9) Attach front of Fender to mounting tab on body (arrow)

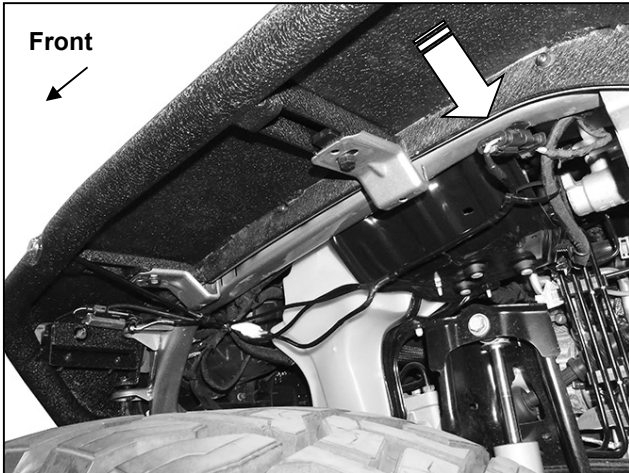


6mm Button Head Bolts  
6mm Lock Washers  
6mm Flat Washers  
6mm Flange Nuts

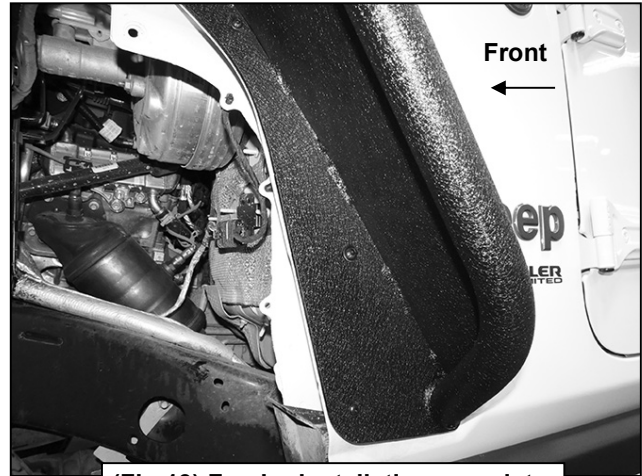
(Fig 10) Attach Fender to side of body



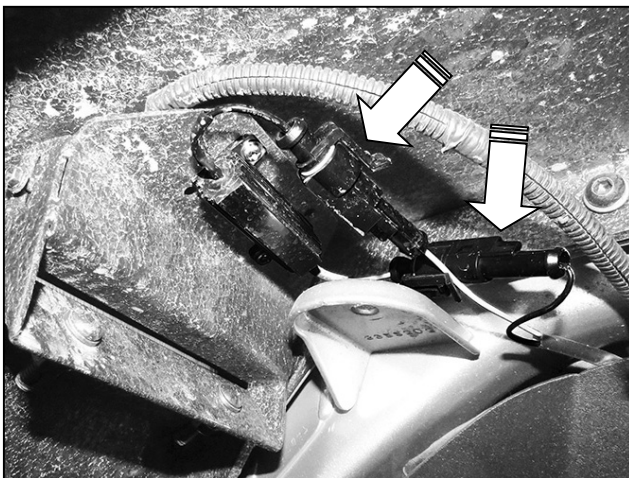
(Fig 11) Attach Fender to side of body



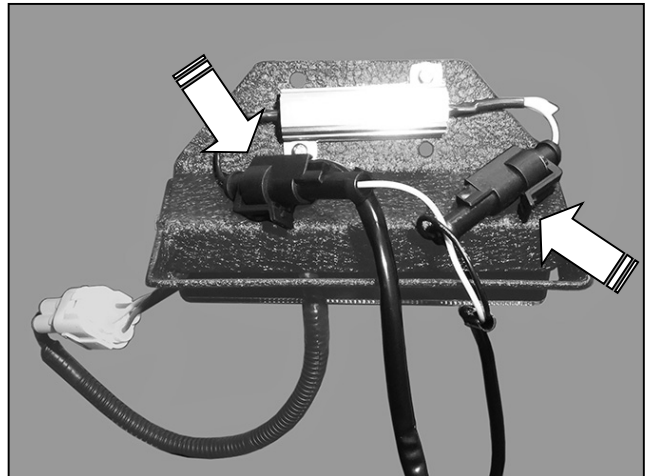
**(Fig 12) Connect wiring harness on Fender to vehicle harness (arrow). NOTE: Install fender liner over wiring harness. Aluminum liner recommended**



**(Fig 13) Fender installation complete**



**(Fig 14A) Models with factory LED lighting package, unplug both connectors (arrows) leading to and from the resistor. Seal open connectors with waterproof tape or sealant (not included)**



**(Fig 14B) Models with factory LED lighting package, unplug both connectors (arrows) leading to and from the resistor. Seal open connectors on harness with waterproof tape or sealant (not included). NOTE: Light assembly removed for instruction purposes only-do not remove light (Fig 14A).**

**PRODUCT CARE**

- Periodically check the product to ensure all fasteners are tight and components are intact.
- Regular waxing is recommended to protect the finish of the product.
- **Use ONLY Non-Abrasive automotive wax.** Use of any soap, polish or wax that contains an abrasive is detrimental and can scratch the finish leading to corrosion.
- Aluminum polish may be used to polish small scratches and scuffs for **Stainless Steel finish.**
- Mild soap may be used to clean the product for both **Stainless Steel and Black finish.**

**FAQ's****1. Hardware's are not of correct size.**

*In GMC / Chevrolet truck model 2006 & up, customer needs to reuse the factory body bolts to install the bracket. If your vehicle is not GMC / Chevrolet 2006 & up, ensure that holes are not partially covered with any plastic grommet or rust? If it is, remove the plastic grommet & rust from the thread holes & re-try the installation.*

**2. Mounting Bracket are not getting Installed properly.**

*In some cases Illustration images shown in Installation manual may not be the exactly same as per actual vehicle images ,also if Driver / Passenger side mounting brackets are very identical in the design, suggest referring Parts Identification guide to avoid fitment issue.*

**3. Products are thumping / rattling after installation.**

*Ensure that all required mounting brackets / hardware's are installed & tighten correctly. Suggest using white lithium / regular grease between the metal to metal contact surfaces.*

**4. Side Bar is not aligning with vehicle / Step Pads are not aligning with vehicle doors.**

*Side bar may be interchanged or mounting brackets are not installed at the correct position in the vehicle. Refer Parts identification guide.*

**5. Missing / Excess Hardware.**

*Recheck hardware count as per the part list.*

**6. Product not installing properly.**

*Ensure make model year, cab length and bed size of your vehicle is listed in the application. All installation steps are followed correctly.*

**Check out these other TrailFX Products!!**

**www.TrailFX.com**



**BULL BAR**



**GRILLE GUARDS**



**BED RAILS**



**RUNNING BOARDS**

*Keystone Automotive Operations Inc. (KAO) warrants this product to be free of defects in material and workmanship at the time of purchase by the original retail consumer. KAO disclaims any other warranties, express or implied, including the warranty of fitness for a particular purpose or an intended use. If the product is found to be defective, KAO may replace or repair the product at our option, when the product is returned prepaid, with proof of purchase. Alteration to, improper installation, or misuse of this product voids the warranty. KAO's liability is limited to repair or replacement of products found to be defective, and specifically excludes liability for any incidental or consequential loss or damage.*