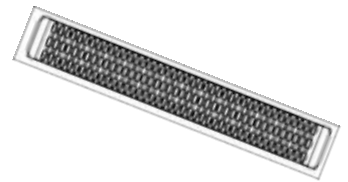




# Aggressive Running Board

## Part No. RBA009TI



Fits: **2004-2014 Ford F-150 Super Cab**



ASSISTANCE IS RECOMMENDED.



60-180 min



Cutting Not Required



Drilling Not Required



REMOVE CONTENTS FROM BOX. VERIFY ALL PARTS ARE PRESENT.



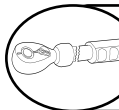
support@trailfx.com



READ INSTRUCTIONS CAREFULLY BEFORE STARTING INSTALLATION.



1 866 638 4870



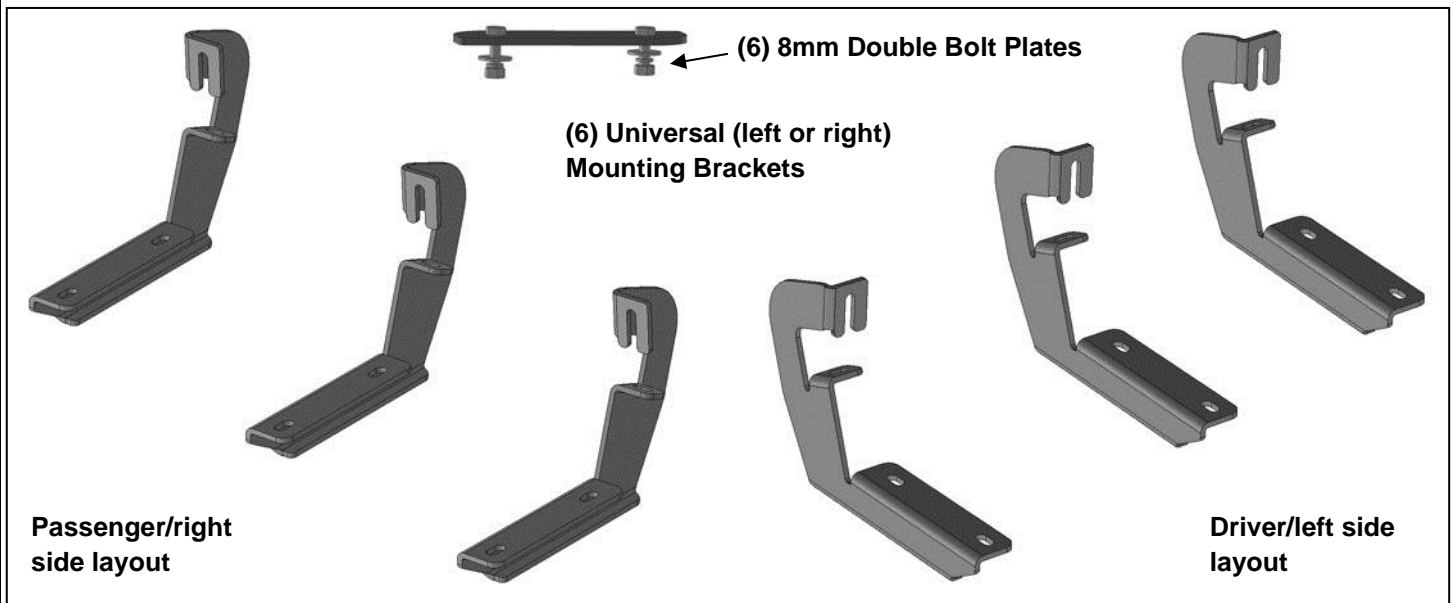
DO NOT OVER TORQUE. STANDARD OPERATING LOAD FOR TIGHTEN BODY MOUNT NUTS & BOLTS VARIES FROM **45 TO 65** FOOT POUND.



**POLISHED STAINLESS STEEL – LIMITED LIFETIME**  
**POWDER COATED BLACK – 3 YEARS**

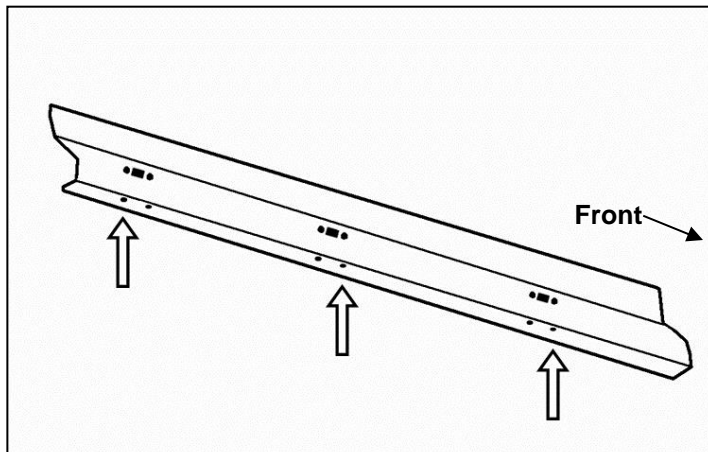
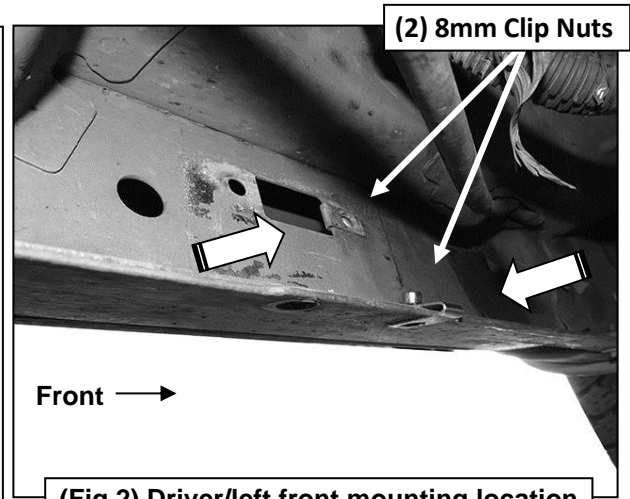
### PARTS LIST:

| Qty | Part Description            | Qty | Part Description                 |
|-----|-----------------------------|-----|----------------------------------|
| 2   | Steel Running Boards        | 12  | 8-1.25mm x 25mm Hex Bolts        |
| 6   | Universal Mounting Brackets | 24  | 8mm x 24mm OD x 2mm Flat Washers |
| 12  | 8mm Deep Clip Nuts          | 24  | 8mm Lock Washers                 |
| 6   | 8mm Double Bolt Plates      | 12  | 8mm Hex Nuts                     |



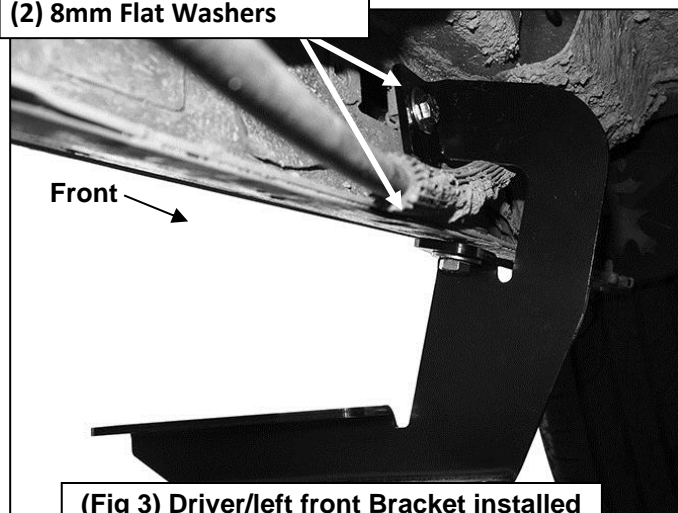
**INSTALLATION PROCEDURE:**

- Starting on the driver side of the vehicle, locate the (2) holes in the bottom of the body panel, (pinch weld). Next locate the rectangular opening and (2) small holes in the inner body panel directly above the holes in the pinch weld, (**Figures 1 & 2**). Installation will use only the forward holes in the front and center mounting locations. **NOTE:** The holes in the inner panel may be covered with sealing tape or insulation, remove as required.

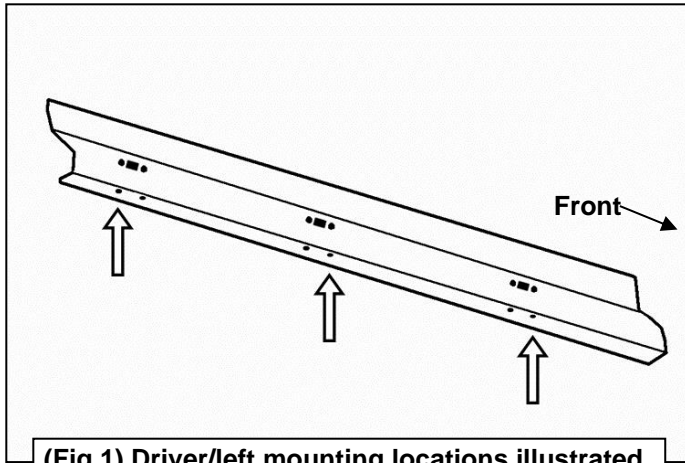
**(Fig 1) Driver/left mounting locations illustrated****(Fig 2) Driver/left front mounting location**

- Slide (1) 8mm Clip Nut into the rectangular opening with the nut towards the inside. Line up the threaded nut on the clip with the round hole toward the front of the vehicle, (**Figure 2**). Repeat to install an 8mm Clip Nut in forward hole in the pinch weld. **NOTE:** If necessary, hold a mounting Bracket up in position to determine correct factory mounting holes to use.
- Attach the Mounting Bracket to the (2) Clip Nuts with the included (2) 8mm Hex Bolts, (2) 8mm Lock Washers and (2) 8mm Flat Washers, (**Figure 3**). Depending on model and year, the brake cable may be run on the inside or outside of the Bracket. Do not tighten hardware at this time.

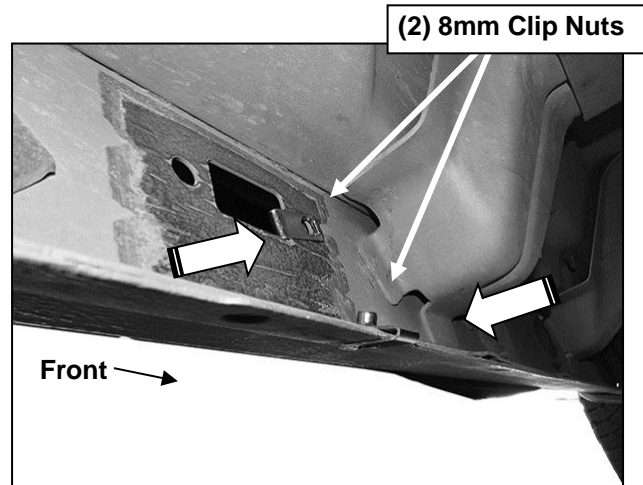
(2) 8mm x 25mm Hex Bolts  
 (2) 8mm Lock Washers  
 (2) 8mm Flat Washers



- Next, move toward the center of the vehicle. Locate the (2) holes in the pinch weld similar to the front location, (**Figures 1 & 4**). Repeat **Steps 1—3** to install a Bracket in the center mounting location, (**Figure 5**).



(Fig 1) Driver/left mounting locations illustrated



(2) 8mm Clip Nuts

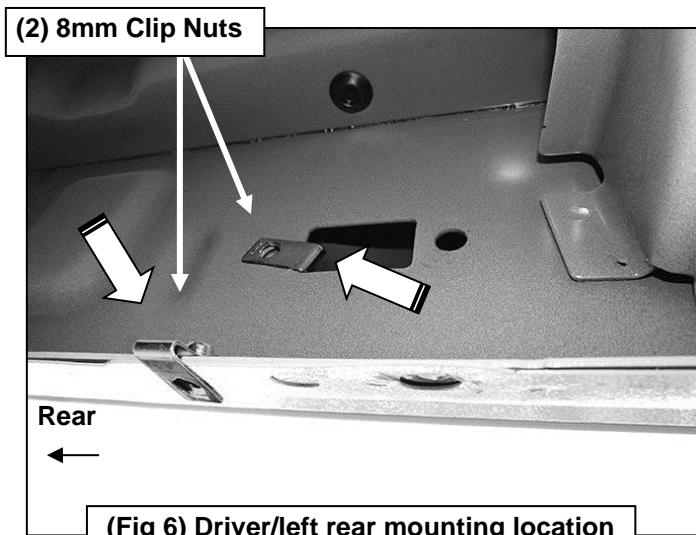
(Fig 4) Driver/left center mounting location



(Fig 5) Driver/left center Bracket installed

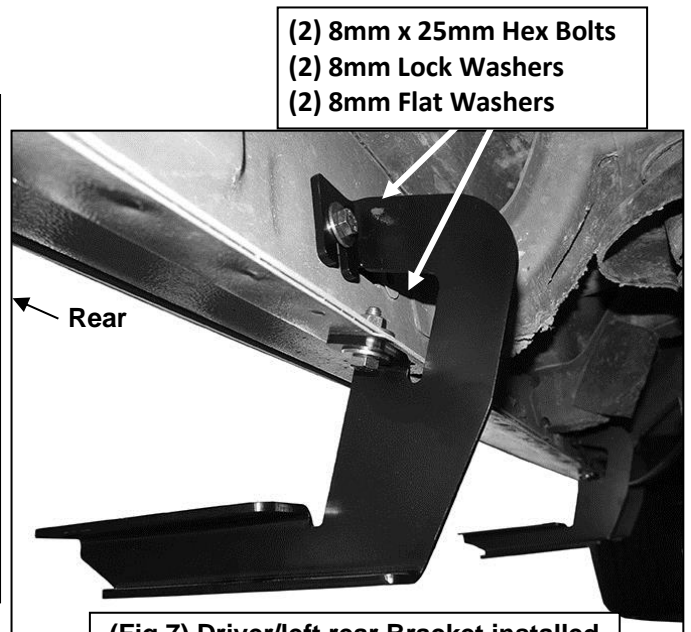
(2) 8mm x 25mm Hex Bolts  
(2) 8mm Lock Washers  
(2) 8mm Flat Washers

5. Continue along the cab to the rear mounting location. Locate the last (2) mounting holes in the pinch weld towards the back of the cab, (Figures 1 & 6). Repeat Steps 1—3 to install the rear mounting Bracket, (Figure 7).



(2) 8mm Clip Nuts

(Fig 6) Driver/left rear mounting location



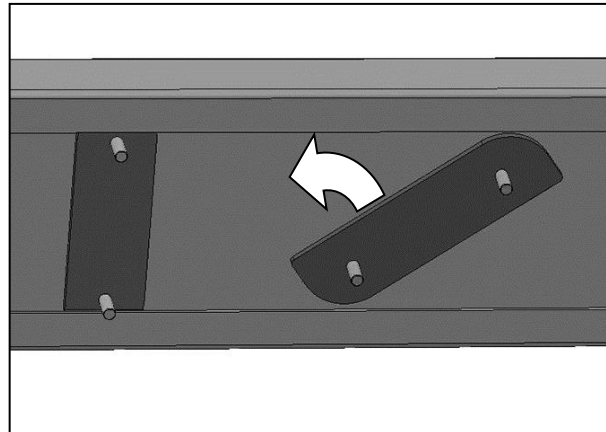
(2) 8mm x 25mm Hex Bolts  
(2) 8mm Lock Washers  
(2) 8mm Flat Washers

(Fig 7) Driver/left rear Bracket installed

6. Carefully unwrap (1) Running Board. Place the Running Board on top of the Brackets. Locate the channels in the bottom of the Running Board. Select (3) 8mm Double Bolt Plates, (Figure 8). Insert the Bolt Plates into the channels in the bottom of the Running Board closest to the Brackets, (Figure 9). Lift the Running Board up and guide the studs down through the Brackets.



(Fig 8) 8mm Double Bolt Plate



(Fig 9) Slide Double Bolt Plates into channels

7. Attach the Running Board to the Mounting Brackets with the included (6) 8mm Flat Washers, (6) 8mm Lock Washers and (6) 8mm Hex Nuts, (**Figures 10—12**). Do not tighten at this time.



(Fig 10) Driver/left front Running Board to Bracket

(2) 8mm Flat Washers  
(2) 8mm Lock Washers  
(2) 8mm Hex Nuts



(Fig 11) Driver/left center Running Board to Bracket



(Fig 12) Driver/left rear Running Board to Bracket

(2) 8mm Flat Washers  
(2) 8mm Lock Washers  
(2) 8mm Hex Nuts

8. Level and adjust the Running Board as desired and tighten all hardware.  
9. Repeat **Steps 1—8** for the passenger side Running Board installation.  
10. Do periodic inspections to the installation to make sure that all hardware is secure and tight.



Complete Installation

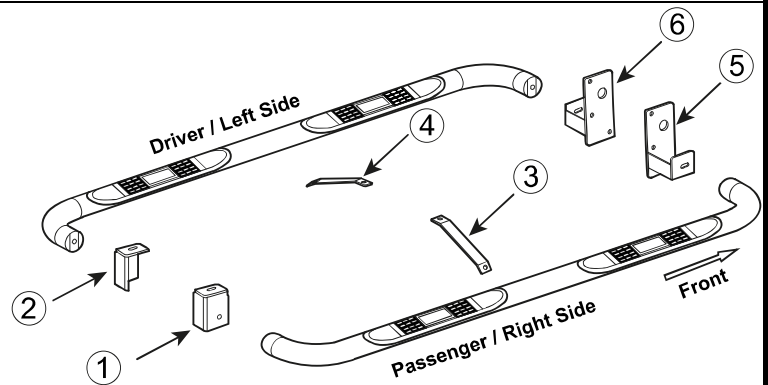
**PARTS IDENTIFICATION GUIDE**

**Driver Side tube packed using "Green" color foam sheet. Passenger Side tube packed using "White" color foam sheet**

| No. | Parts Identification                           |
|-----|--|
| 1   | Passenger / Right 'Rear' Bracket marked "PR"   |
| 2   | Driver / Left 'Rear' Bracket marked "DR"       |
| 3   | Passenger / Right 'Center' Bracket marked "PC" |
| 4   | Driver / Left 'Center' Bracket marked "DC"     |
| 5   | Passenger / Right 'Front' Bracket marked "PF"  |
| 6   | Driver / Left 'Front' Bracket marked "DF"      |

**Note:**

- > This guide is to identify the parts and not a reference for part count.
- > For part count, refer Parts List.
- > Product / Bracket image is representative and actual design may vary.

**PRODUCT CARE**

- Periodically check the product to ensure all fasteners are tight and components are intact.
- Regular waxing is recommended to protect the finish of the product.
- **Use ONLY Non-Abrasive automotive wax.** Use of any soap, polish or wax that contains an abrasive is detrimental and can scratch the finish leading to corrosion.
- Aluminum polish may be used to polish small scratches and scuffs for **Stainless Steel finish.**
- Mild soap may be used to clean the product for both **Stainless Steel and Black finish.**

**FAQ's****1. Hardware's are not of correct size.**

*In GMC / Chevrolet truck model 2006 & up, customer needs to reuse the factory body bolts to install the bracket. If your vehicle is not GMC / Chevrolet 2006 & up, ensure that holes are not partially covered with any plastic grommet or rust? If it is, remove the plastic grommet & rust from the thread holes & re-try the installation.*

**2. Mounting Bracket are not getting Installed properly.**

*In some cases Illustration images shown in Installation manual may not be the exactly same as per actual vehicle images ,also if Driver / Passenger side mounting brackets are very identical in the design, suggest referring Parts Identification guide to avoid fitment issue.*

**3. Products are thumping / rattling after installation.**

*Ensure that all required mounting brackets / hardware's are installed & tighten correctly. Suggest using white lithium / regular grease between the metal to metal contact surfaces.*

**4. Side Bar is not aligning with vehicle / Step Pads are not aligning with vehicle doors.**

*Side bar may be interchanged or mounting brackets are not installed at the correct position in the vehicle. Refer Parts identification guide.*

**5. Missing / Excess Hardware.**

*Recheck hardware count as per the part list.*

**6. Product not installing properly.**

*Ensure make model year, cab length and bed size of your vehicle is listed in the application. All installation steps are followed correctly.*

**Check out these other TrailFX Products!!**

www.TrailFX.com

**GRILLE GUARDS****BED RAILS****RUNNING BOARDS****BULL BAR**

Keystone Automotive Operations Inc. (KAO) warrants this product to be free of defects in material and workmanship at the time of purchase by the original retail consumer. KAO disclaims any other warranties, express or implied, including the warranty of fitness for a particular purpose or an intended use. If the product is found to be defective, KAO may replace or repair the product at our option, when the product is returned prepaid, with proof of purchase. Alteration to, improper installation, or misuse of this product voids the warranty. KAO's liability is limited to repair or replacement of products found to be defective, and specifically excludes liability for any incidental or consequential loss or damage.