



Display Rack

Part No. WD1000S2/B2



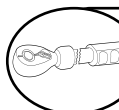
Fits: All years - Display Rack with 3" Round, 4" Oval, Bed Rail & Bull Bar BLK Sample (Including the mounting brackets for the Grid & Slat Wall)



REMOVE CONTENTS FROM BOX. VERIFY ALL PARTS ARE PRESENT.



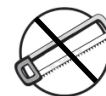
READ INSTRUCTIONS CAREFULLY BEFORE STARTING INSTALLATION.



DO NOT OVER TORQUE. STANDARD OPERATING LOAD FOR TIGHTEN BODY MOUNT NUTS & BOLTS VARIES FROM 45 TO 65 FOOT POUND.



60-180 min



Cutting Not Required



Drilling Not Required



support@trailfx.com



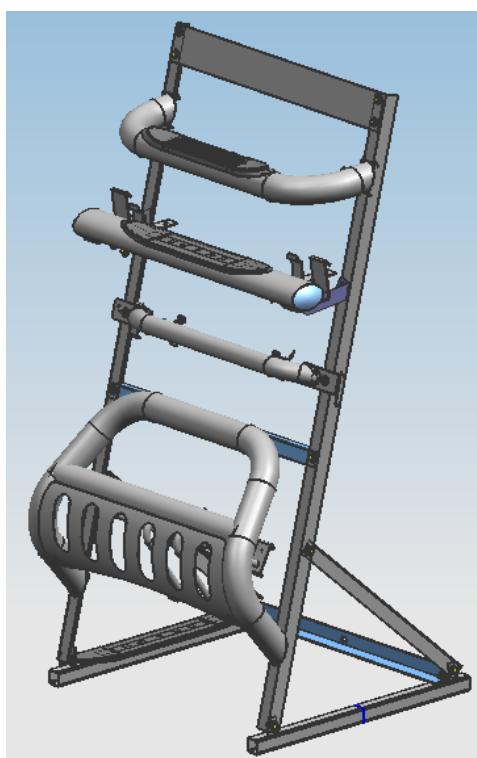
1 866 638 4870



POLISHED STAINLESS STEEL – LIMITED LIFETIME
POWDER COATED BLACK – 3 YEARS

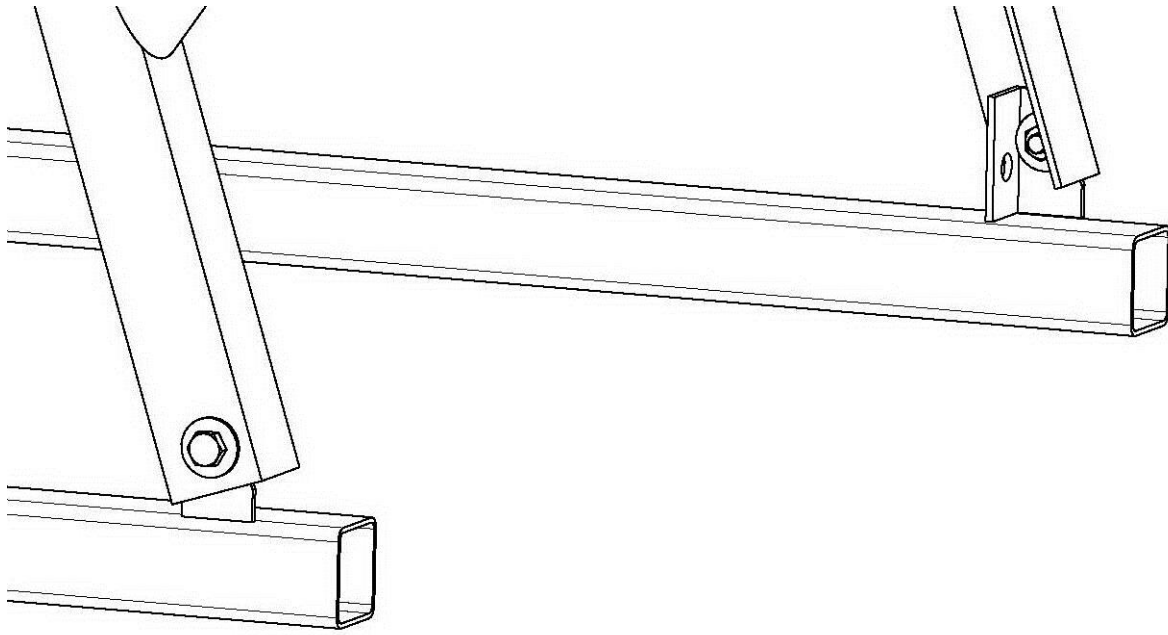
PARTS LIST:

| Qty | Part Description | Qty | Part Description |
|-----|--------------------|-----|-------------------------|
| 3 | Bottom Stand | 1 | M6 Hex Bolt |
| 5 | Components kit | 1 | M6 Flat Washer |
| 2 | Install Brackets | 1 | M6 Split Washer |
| 1 | Header Plate | 2 | M12 Hex Bolt |
| 36 | M8 Flat Washer | 2 | M12 Flat Washer |
| 22 | M8 Hex Head Bolt | 1 | 3" Side Bar Sample |
| 22 | M8 Split Washer | 1 | 4" Oval Side Bar Sample |
| 14 | M 8 Hex Nut | 1 | Bed Rail Sample |
| 2 | 1/2" Hex Head Bolt | 1 | Bull Bar Sample |
| 2 | 1/2" Flat Washer | 1 | Wrench |
| 2 | 1/2" Split Washer | | |

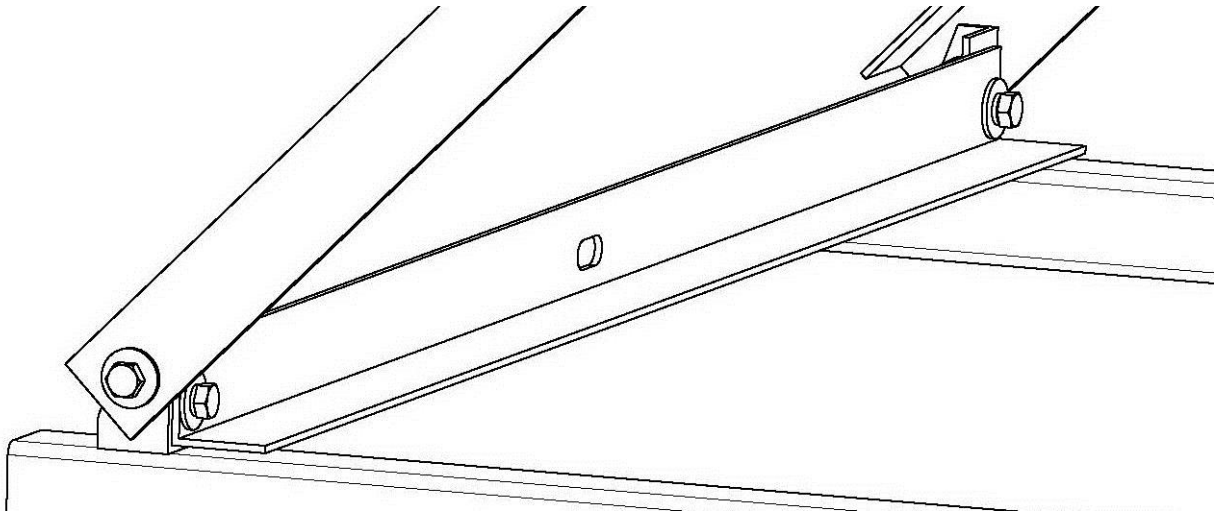


INSTALLATION PROCEDURE

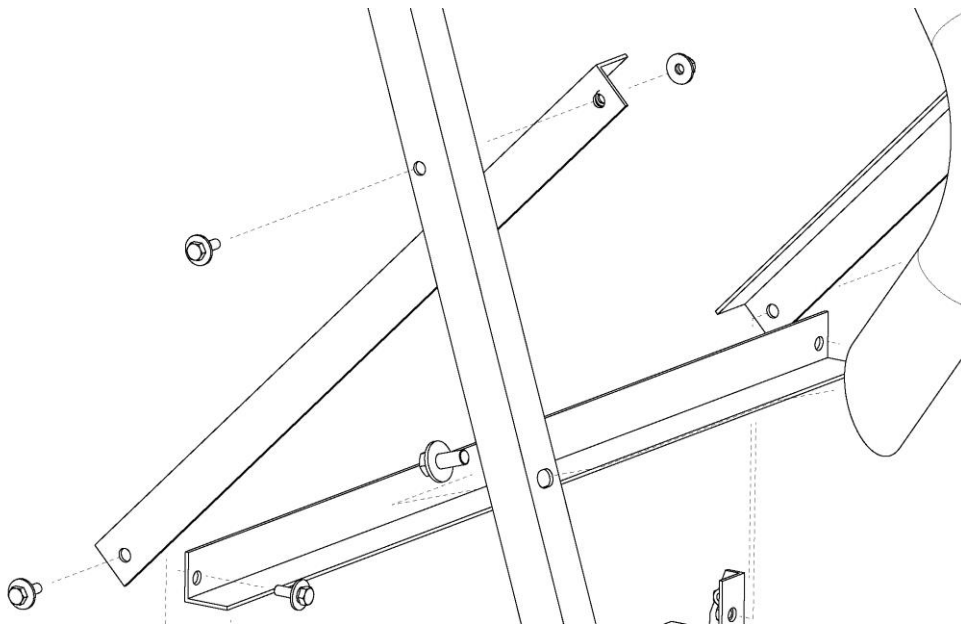
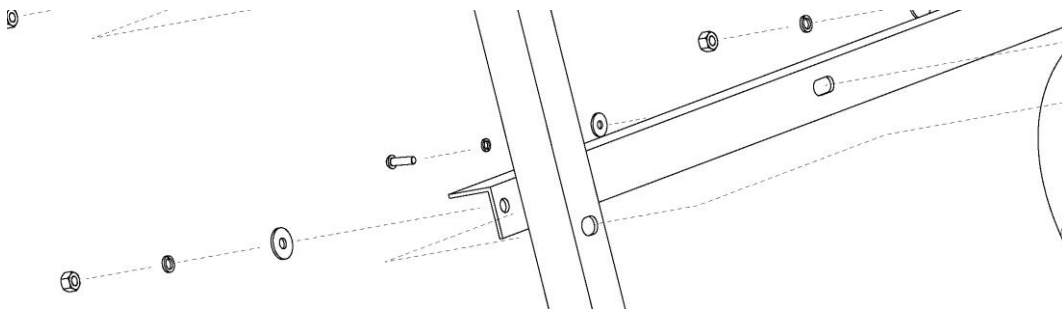
1. Install the Bottom Stand(1)(2) to the Components kit (4)(5) with the M8 Flat Washers, M8 Hex Bolts, M8 Split Washers and M8 Hex Nuts .



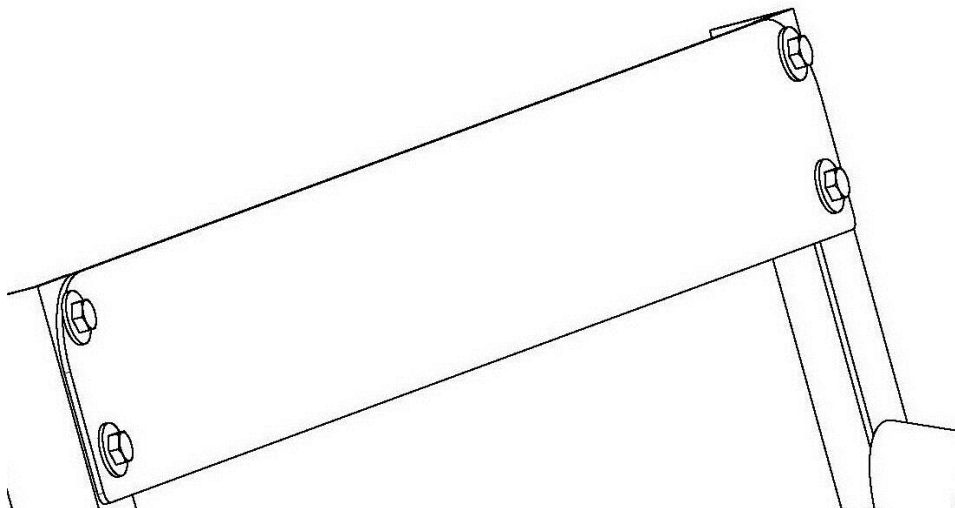
2. Install the Components kit (3) to the Bottom Stand (1)(2) with the M8 Flat Washers, M8 Hex Bolts, M8 Split Washers and M8 Hex Nuts(Please note that if there have the M10 hardware, please use them).



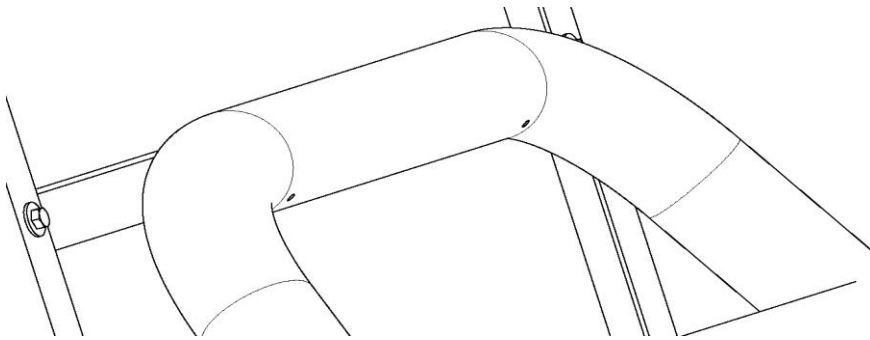
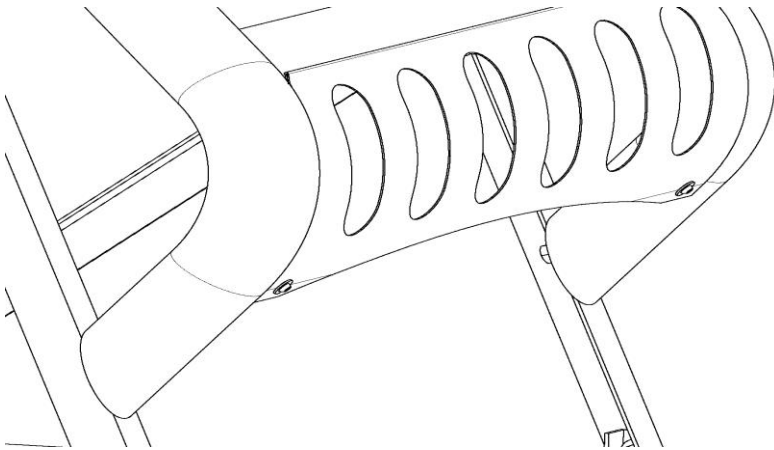
3. Install Components kit(6)(7)(8) to the Components kit (4)(5) with the M8 Flat Washers, M8 Hex Bolts, M8 Split Washers and M8 Hex Nuts.



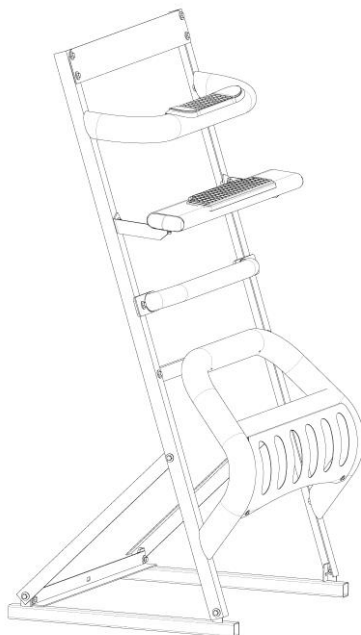
4. Install the header plate(11) to the Components kit (4)(5) with the M8 Flat Washers, M8 Hex Bolts, M8 Split Washers and M8 Hex Nuts.



5. Install the Bull Bar samples the Components kit(3)(4)(5) with the M12 Flat Washers, M12 Hex Bolts, M12 Split Washers and M12 Hex Nuts, and Secure the Bull Bar to Components kit(6) with the M6 Flat Washers, M6 Hex Bolts and M6 Split Washers.



6. Install the Side Bar with the 1/2" Hex Head Bolt, 1/2" Flat Washer and the 1/2" Split Washers to the Components kit (4) (5), and install the Oval Side Bar and the Bed Rail to the Components kit (4) (5) with the M8 Flat Washers, M8 Hex Bolts, M8 Split Washers and M8 Hex Nuts, and then tighten all the hardware.



PRODUCT CARE

- Periodically check the product to ensure all fasteners are tight and components are intact.
- Regular waxing is recommended to protect the finish of the product.
- **Use ONLY Non-Abrasive automotive wax.** Use of any soap, polish or wax that contains an abrasive is detrimental and can scratch the finish leading to corrosion.
- Aluminum polish may be used to polish small scratches and scuffs for **Stainless Steel finish.**
- Mild soap may be used to clean the product for both **Stainless Steel and Black finish.**

FAQ's**1. Hardware's are not of correct size.**

In GMC / Chevrolet truck model 2006 & up, customer needs to reuse the factory body bolts to install the bracket. If your vehicle is not GMC / Chevrolet 2006 & up, ensure that holes are not partially covered with any plastic grommet or rust? If it is, remove the plastic grommet & rust from the thread holes & re-try the installation.

2. Mounting Bracket are not getting Installed properly.

In some cases Illustration images shown in Installation manual may not be the exactly same as per actual vehicle images ,also if Driver / Passenger side mounting brackets are very identical in the design, suggest referring Parts Identification guide to avoid fitment issue.

3. Products are thumping / rattling after installation.

Ensure that all required mounting brackets / hardware's are installed & tighten correctly. Suggest using white lithium / regular grease between the metal to metal contact surfaces.

4. Side Bar is not aligning with vehicle / Step Pads are not aligning with vehicle doors.

Side bar may be interchanged or mounting brackets are not installed at the correct position in the vehicle. Refer Parts identification guide.

5. Missing / Excess Hardware.

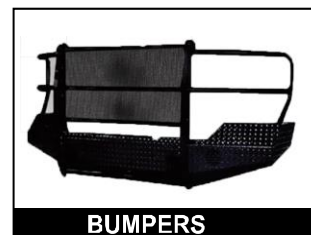
Recheck hardware count as per the part list.

6. Product not installing properly.

Ensure make model year, cab length and bed size of your vehicle is listed in the application. All installation steps are followed correctly.

Check out these other TrailFX Products!!

www.TrailFX.com

**WINCHES****LED LIGHTS****HD GRILLE GUARDS****BUMPERS**

Keystone Automotive Operations Inc. (KAO) warrants this product to be free of defects in material and workmanship at the time of purchase by the original retail consumer. KAO disclaims any other warranties, express or implied, including the warranty of fitness for a particular purpose or an intended use. If the product is found to be defective, KAO may replace or repair the product at our option, when the product is returned prepaid, with proof of purchase. Alteration to, improper installation, or misuse of this product voids the warranty. KAO's liability is limited to repair or replacement of products found to be defective, and specifically excludes liability for any incidental or consequential loss or damage.