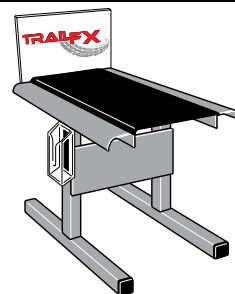




Tonneau Cover Soft Roll Up Display

Part No. TFX9202



REMOVE CONTENTS FROM BOX. VERIFY ALL PARTS ARE PRESENT.



READ INSTRUCTIONS CAREFULLY BEFORE STARTING INSTALLATION.



15-30 min



Cutting Not Required



Drilling Not Required

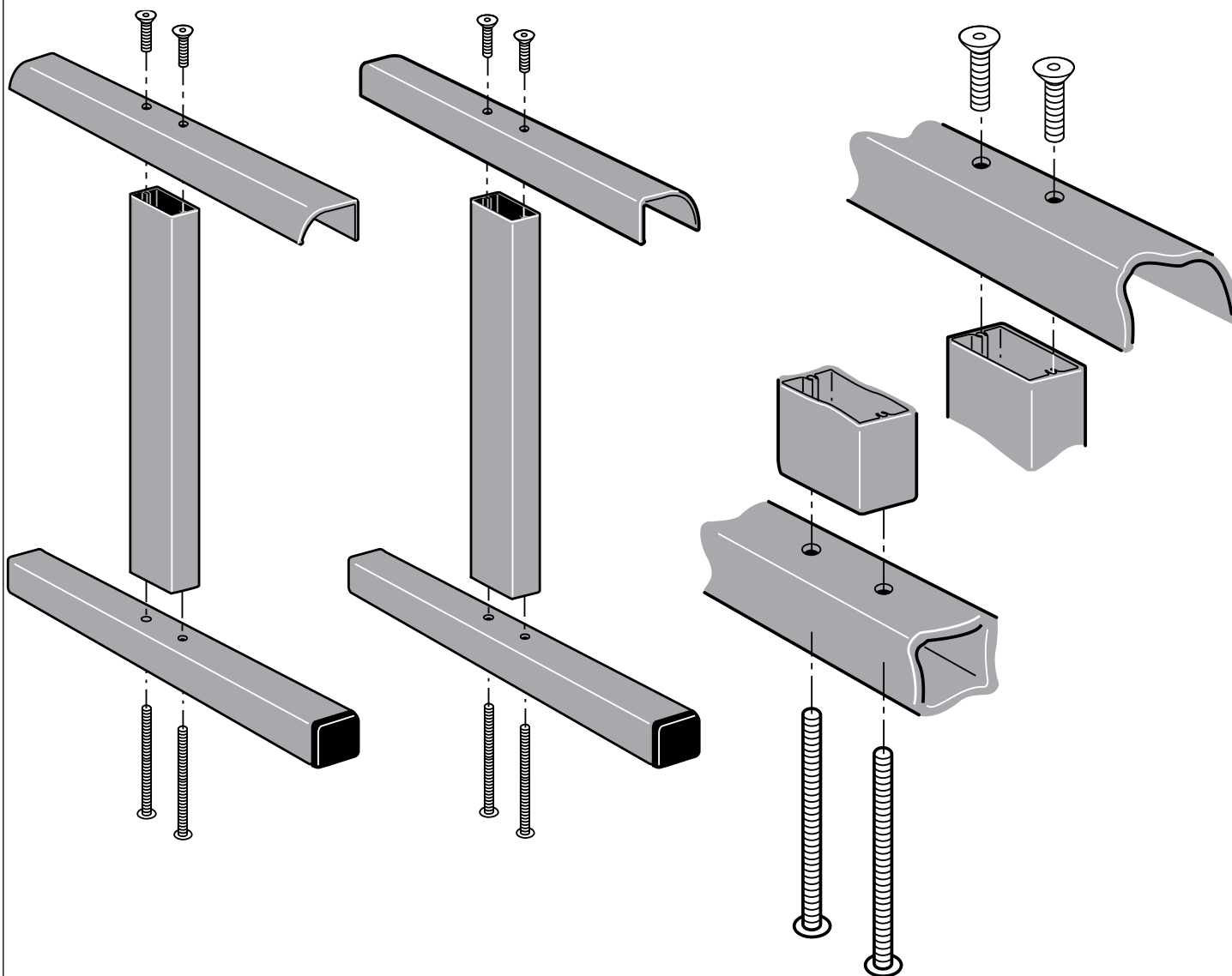


support@trailfx.com

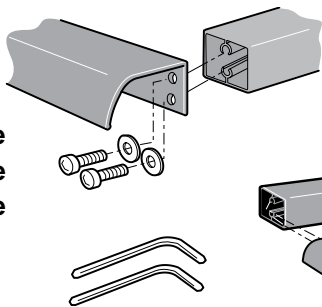


1 866 638 4870

Assemble each upright as shown



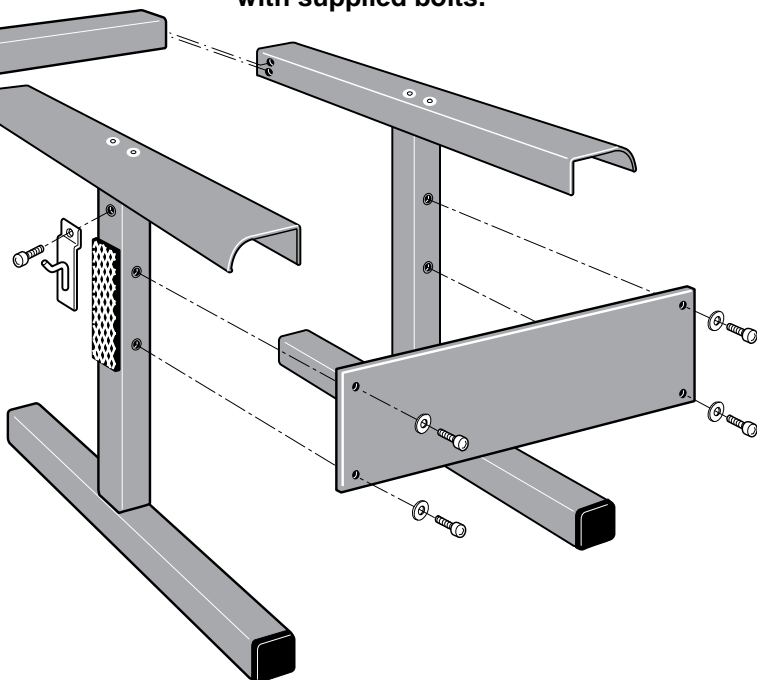
Align rear support to the back ends of side structures and secure with bolts.



Attach rear support to side structures with supplied bolts.

Use two Allen Wrenches provided to secure all fasteners.

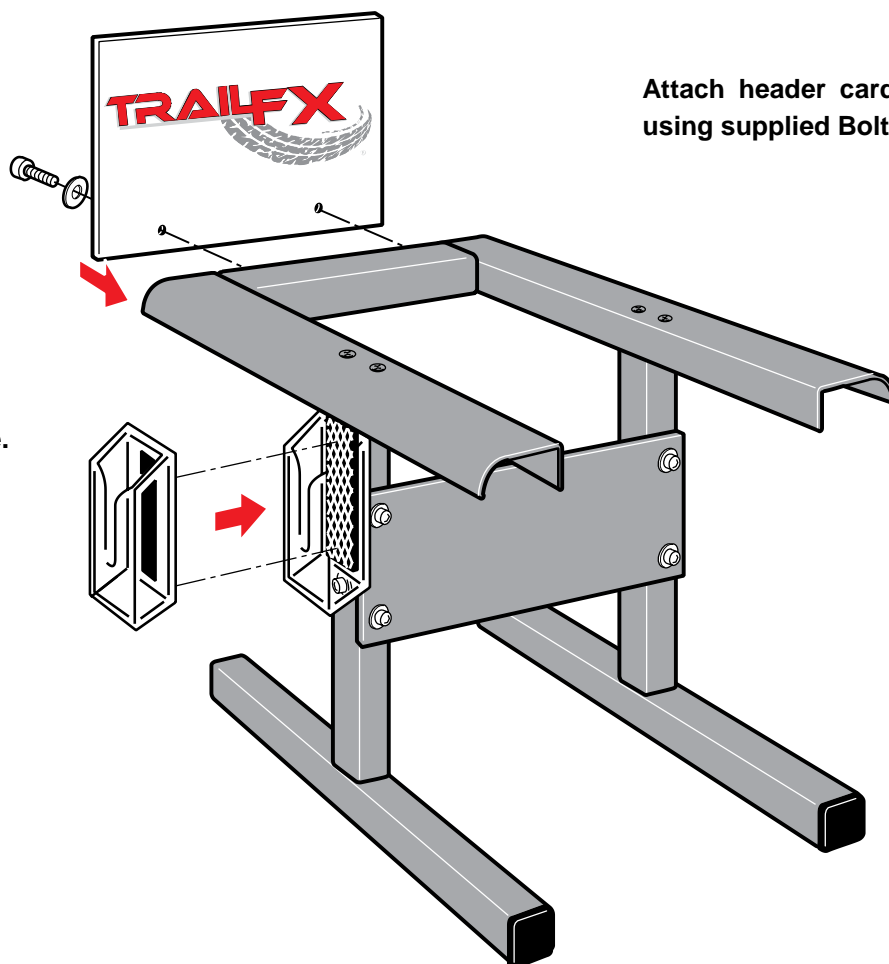
Assemble with side supports have hook and loop toward outside.



IMPORTANT:

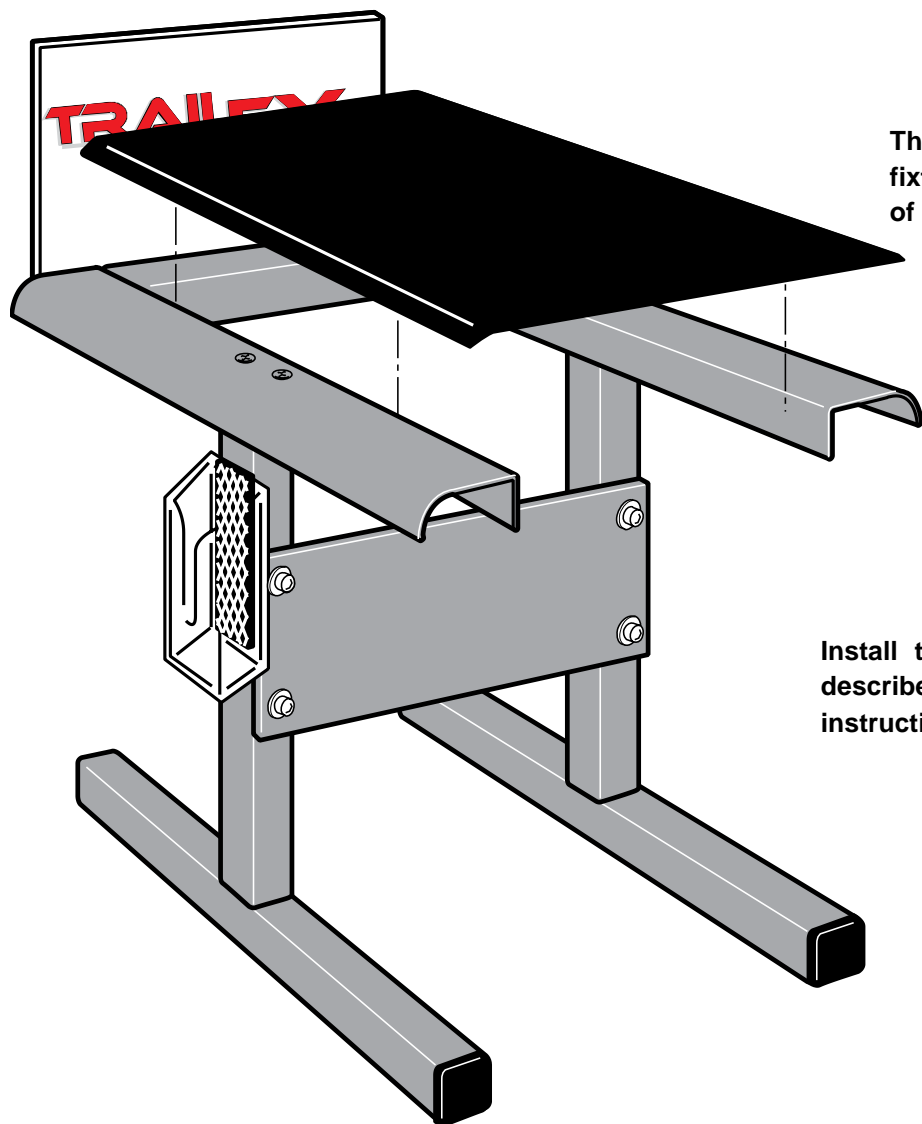
- For ease of installation, begin this assembly with the center plate
- Do not over tighten bolts.

Attach center plate to both side structures with supplied bolts and washers making sure raised circles on posts fit inside plate holes.

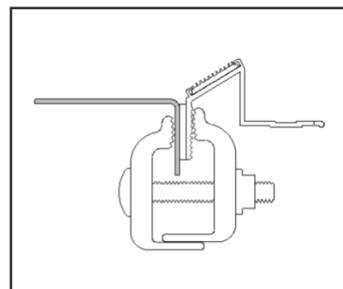


Attach header card to rear support using supplied Bolts and Washers.

Attach literature Pocket on either side.







The U-channel portion of the Display fixture represents the overlap portion of the truck bed wall.



Install the included tonneau assembly as described in the product installation instructions.

Check out these other TrailFX Display Products!!

www.TrailFX.com

 <p>WINCH DISPLAY</p>	 <p>BULL BAR DISPLAY</p>	 <p>SIDE STEPS DISPLAY</p>	 <p>ACCESSORIES DISPLAY</p>
---	--	---	---

Keystone Automotive Operations Inc. (KAO) warrants this product to be free of defects in material and workmanship at the time of purchase by the original retail consumer. KAO disclaims any other warranties, express or implied, including the warranty of fitness for a particular purpose or an intended use. If the product is found to be defective, KAO may replace or repair the product at our option, when the product is returned prepaid, with proof of purchase. Alteration to, improper installation, or misuse of this product voids the warranty. KAO's liability is limited to repair or replacement of products found to be defective, and specifically excludes liability for any incidental or consequential loss or damage.