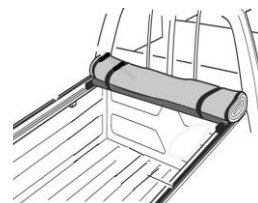




# Soft Roll-up Tonneau Cover



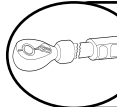
THESE INSTRUCTIONS ARE COMPLETE FOR MOST PICKUP MODELS.  
ADDITIONAL INSTRUCTIONS ARE INCLUDED, IF REQUIRED FOR YOUR PICKUP.



REMOVE CONTENTS FROM BOX. VERIFY ALL PARTS ARE PRESENT.



READ INSTRUCTIONS CAREFULLY BEFORE STARTING INSTALLATION.



DO NOT OVER TORQUE. A TORQUE WRENCH IS NOT NECESSARY.  
IF PREFERRED, TORQUE IS APX 75 INCH LBS.



15-30 min



Cutting Not Required



Drilling Not Required



support@trailfx.com



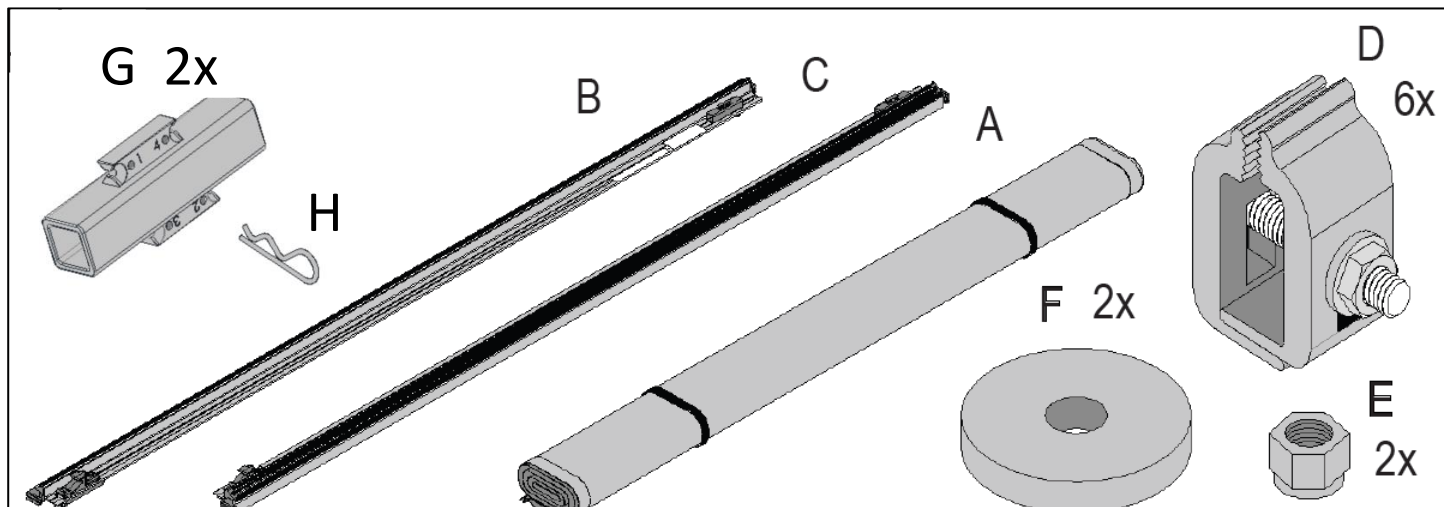
1 866 638 4870



Limited 5 Year Warranty

## PARTS LIST OF COMPONENTS

Sl. No.	Part Description	Qty	Sl. No.	Part Description	Qty
A	Tonneau Cover	1	E	Hex Nut Full Nylon Lock	2
B	Side Rail - Driver Side	1	F	Plastic Washer	2
C	Side Rail - Passenger Side	1	G	Tension Adjustment Block	2
D	Clamp Assembly	6	H	Hitch Pin	1



## Tools Required

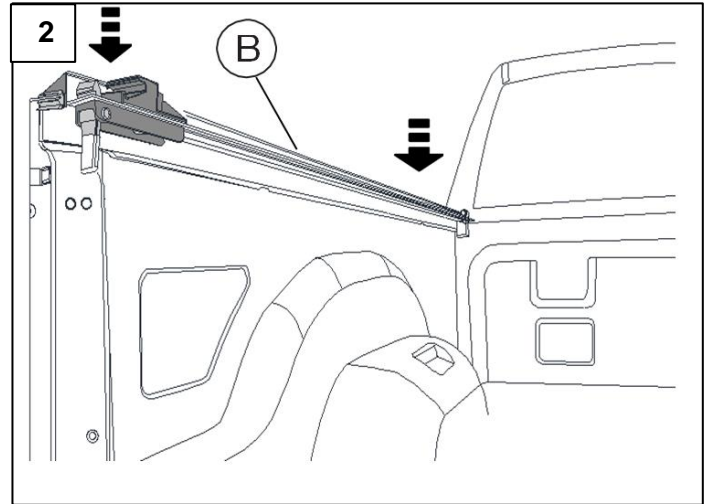
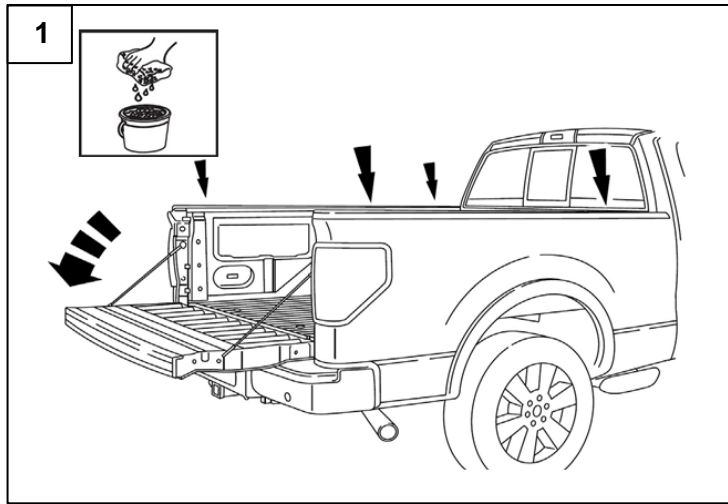


9/16"

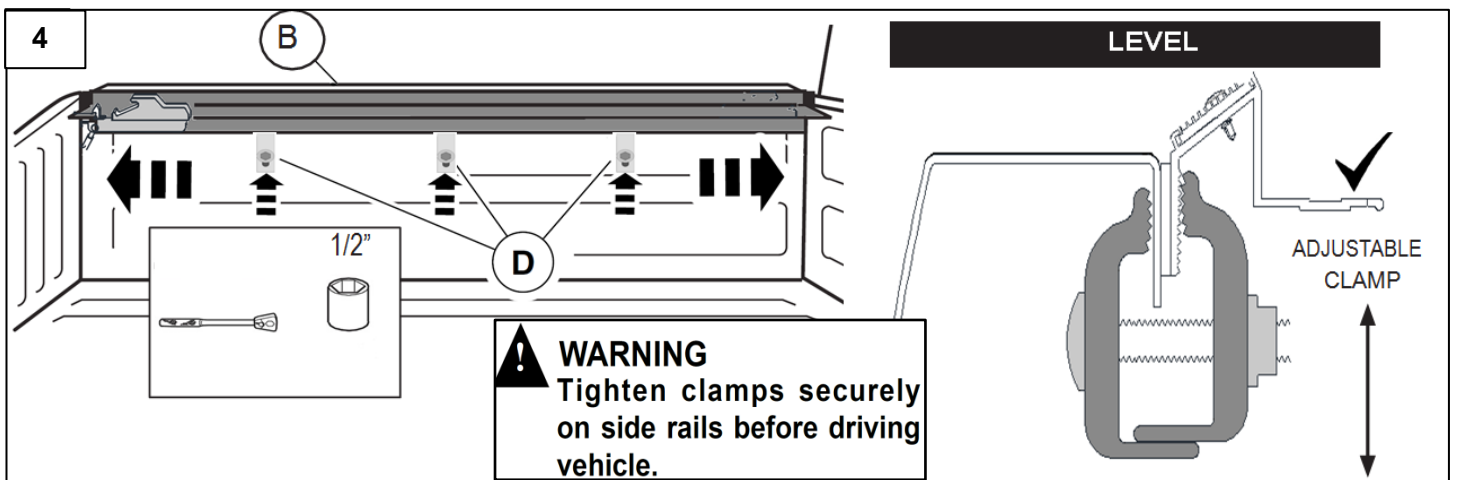
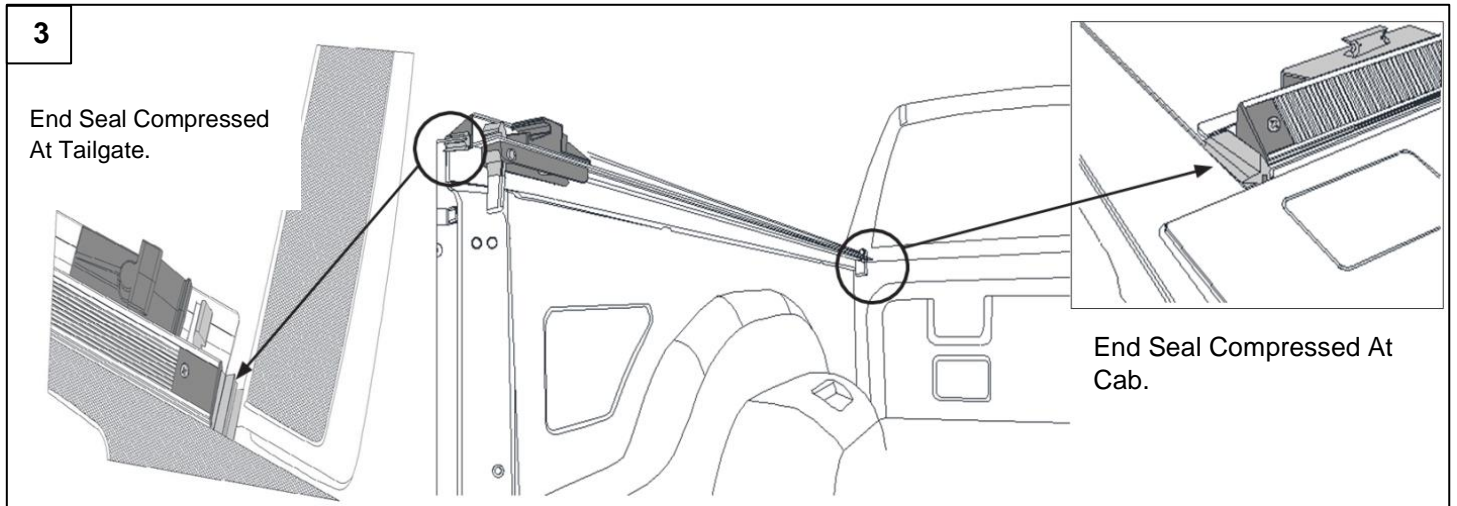


1/2"

### INSTALLATION PROCEDURE



3. With Tailgate Closed, Position Side Rail Compressing End Seals Equally Between Cab and Tailgate.

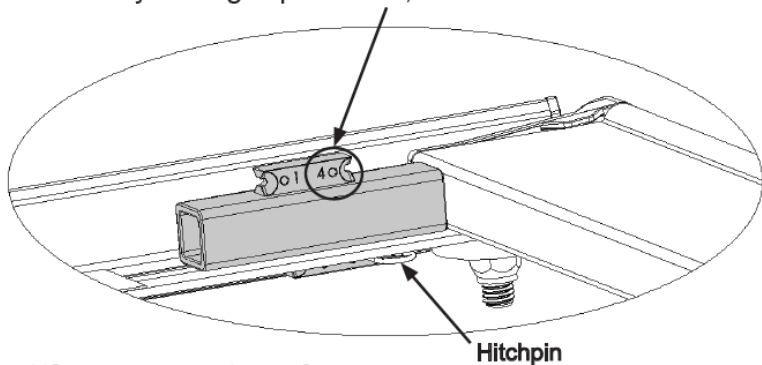


5. Repeat steps 2-4 on passenger side for item C. Proceed to step 5 when complete.

5

**COVER TENSION ADJUSTMENT**

Cover tension is controlled by a four position adjustable block. To adjust tension pull hitchpin and rotate block to desired position. Factory setting is position 4, this is the least amount of tension.

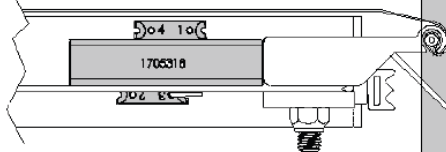


**Setting cover tension**

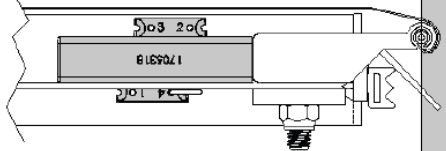
1. Set cover tension during warmest part of the day.
2. Roll cover up to adjustable block.
3. Pull Hitchpin and rotate blocks to the next position needed. Replace Hitchpin. **(Driver and passenger blocks must always be in the same position.)**
4. Close cover and re-check adjustment. Repeat until satisfactory tension has been achieved.

Adjustment Zone

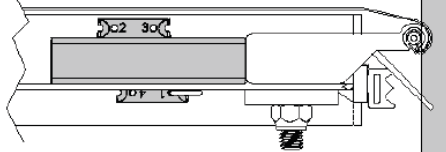
**Position 1  
Maximum**



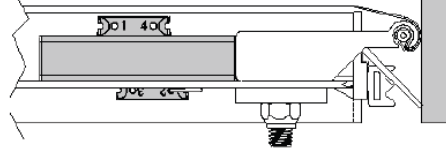
**Position 2**



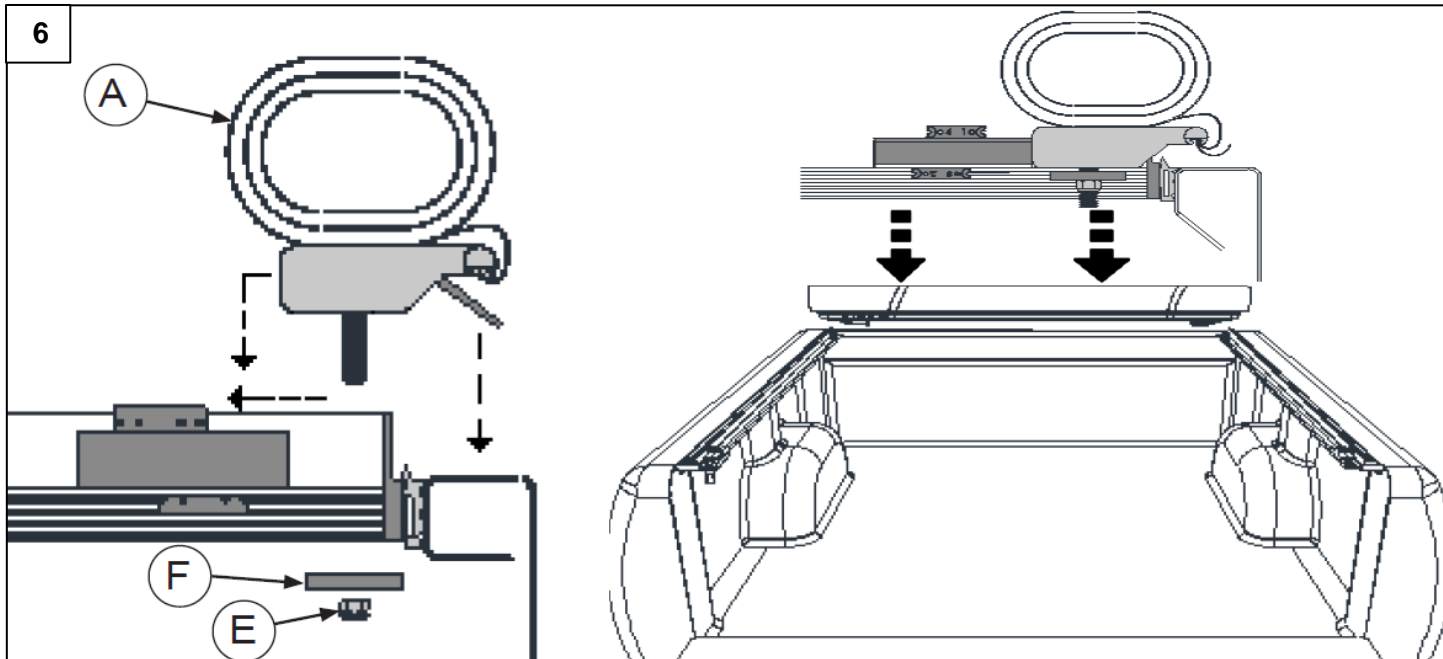
**Position 3**



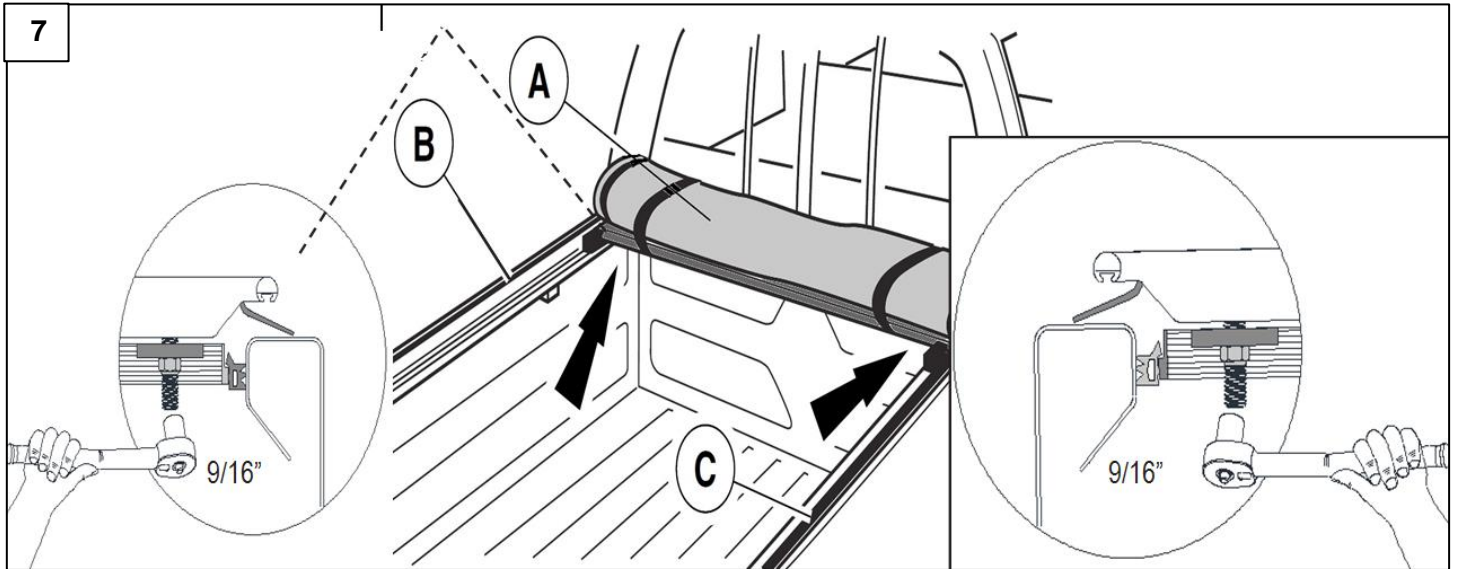
**Position 4  
Minimum  
Factory Setting**



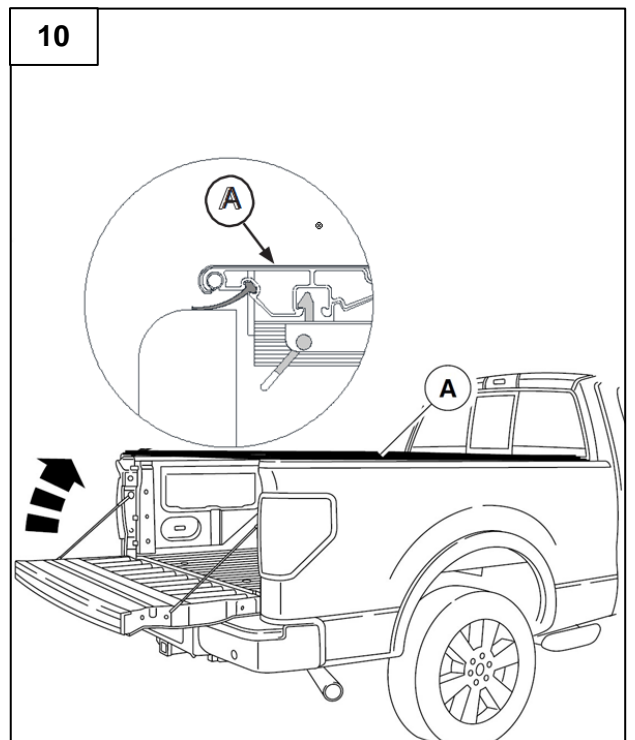
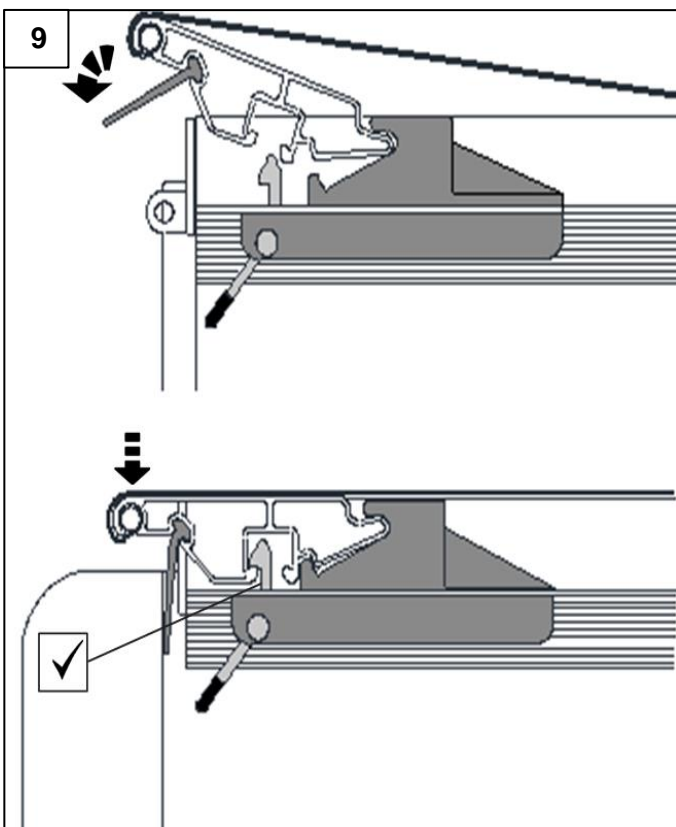
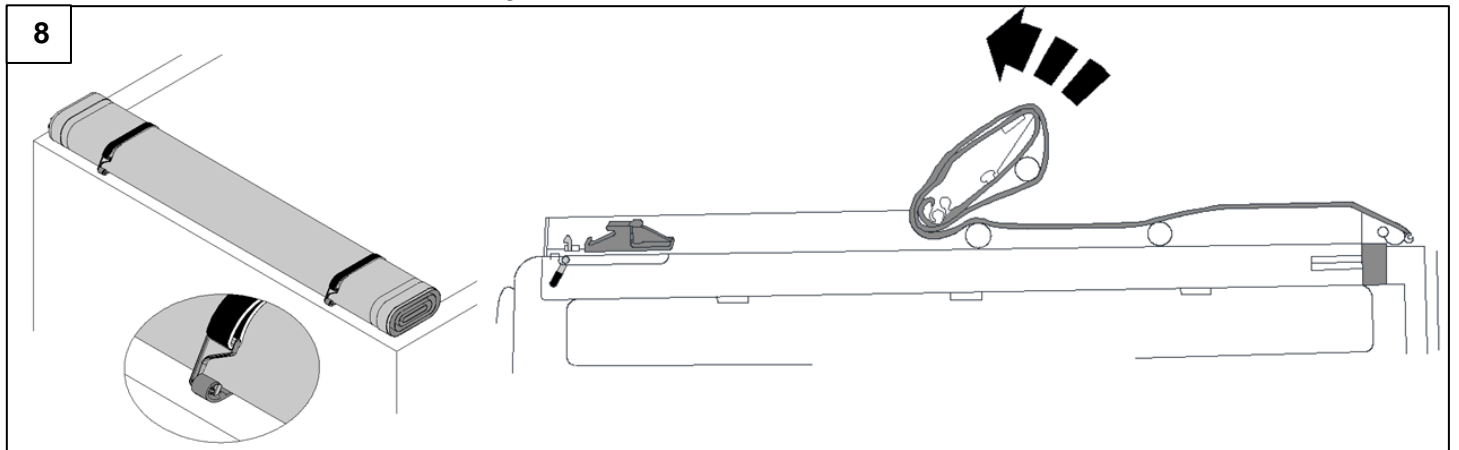
6



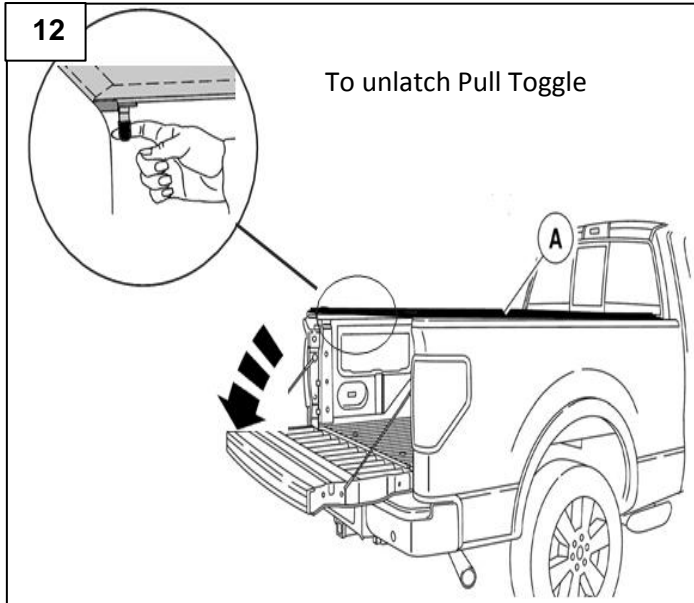
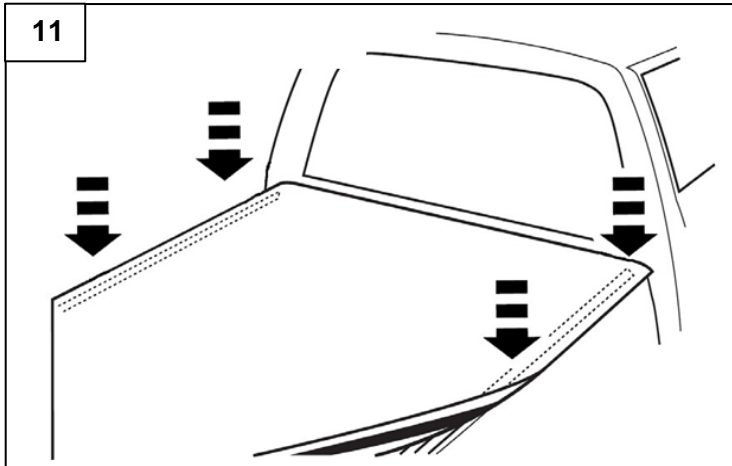
7. Thread nut onto bolt enough to be tight but still able to move freely.



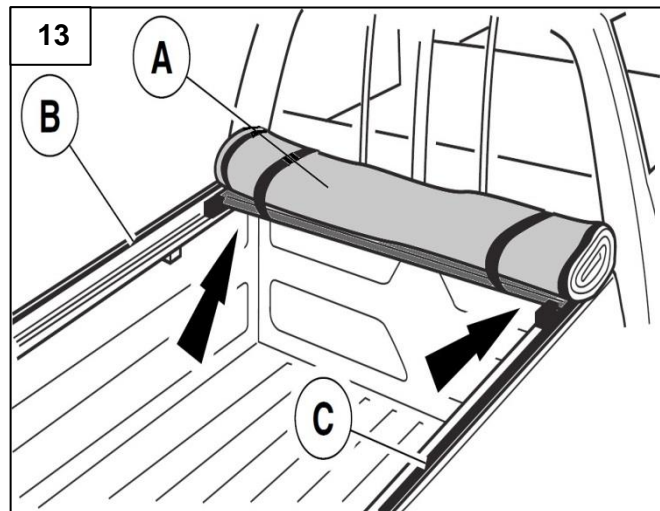
8. Unhook and unroll cover to the tailgate.



**NOTE: If tailgate has a key lock, tonneau cover is secured until tailgate is unlocked and opened.**



**NOTE:** Secure hook fastener and loop fastener along entire length of both side rails before driving vehicle. This will prevent wind lifting the cover and causing damage.



**CAUTION**

- ROLL COVER TIGHT AND SECURE BOTH SAFETY STRAPS.
- DO NOT STOW COVER AGAINST CAB WINDOW.
- TO STOW COVER OPEN ROLL COVER TO THE FRONT.
- SECURE BOTH HOOKS DO NOT STOW COVER AGAINST CAB WINDOW.

## LT COVER INSTALLATION



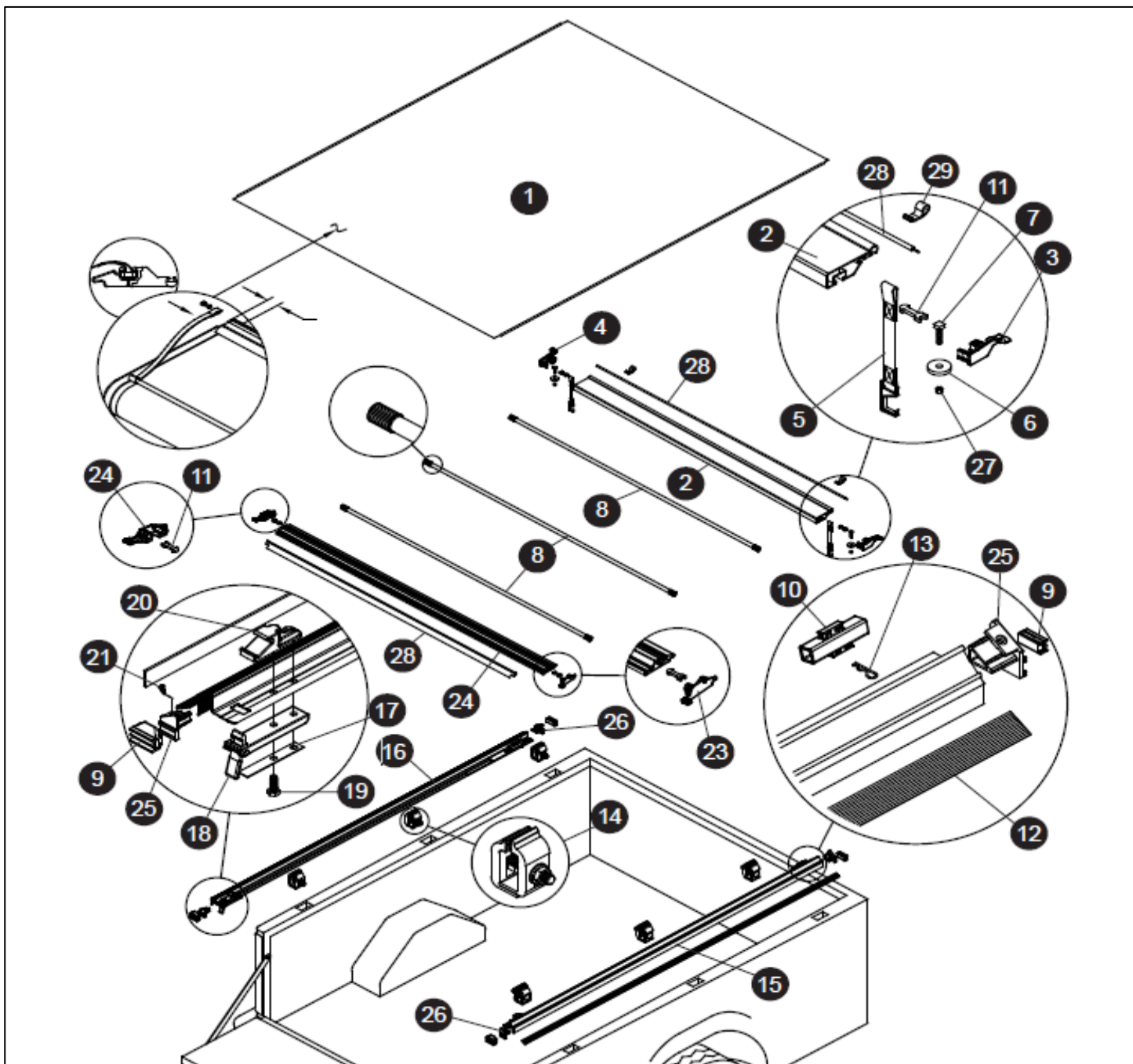
**WARNING**

Tighten clamps securely on side rails before driving vehicle, to prevent cover from blowing off.

### REPLACEMENT PARTS

SI. No.	PARTS	PART DESCRIPTION	SI. No.	PARTS	PART DESCRIPTION
1	*	Replacement Cover	16	*	Side Rail, Driver's Side
2		Front Header	17	1114773	Flat Spring
3	1705310	Front Header End Plugs RH	18	1114773	Latch Assembled
4	1705311	Front Header End Plugs LH	19	1703455	Cap Screw
5	*	Safety Strap	20	1705336	Header Stop
6	1115745	Plastic Washer	21	1703690	Self-Drill Screw
7	1703455	Square Head Cap Screw	22	1705405	Rear Header End Plug RH
8	*	Bow Assembly	23	1705404	Rear Header End Plug LH
9	1705284	Rail End Seal	24	*	Rear Header
10	1705318	Tension Adjustment Block	25	1117958	Side Rail End Plug Assembly LH
11	1705364	Header Insert Safety Clip	26	1117959	Side Rail End Plug Assembly RH
12	*	Hook Strip	27	1701580	Hex Nut Full Nylon Lock
13	1703332	Hitch Pin	28	*	Extruded Header Seal
14	1705234	Clamp Assembly (6)	29	1705192	Retainer Loop
15	*	Side Rail, Passenger's Side			

\* Please specify length or make and model of vehicle.



**OWNER / USER RESPONSIBILITIES**

- It is the responsibility of the owner/user to read this manual and comply with the operating procedures.
- The owner/user is also responsible for inspecting the cover, and for having parts repaired or replaced when worn or damaged.
- Failure to follow safety instructions and warning labels could result in failure of your cover system and/or personal injury.
- Always wear safety glasses and/or other necessary protective equipment when installing your tonneau cover system.

**SAFETY INSTRUCTIONS**

1. Do not place objects on or against cover or framework.
2. Do not tie cargo to framework.
3. Never allow children or pets to occupy pickup box while cover is closed.
4. Cover is not airtight. Special care is required to keep cargo clean and dry.
5. Fabric cover won't prevent theft of contents inside truck box.
6. Cover must be rolled fully open and secured with safety straps when towing vehicle backwards.
7. Opened cover must be secured with both safety straps when driving vehicle.

**COVER MAINTENANCE****Never use silicon, petroleum, or citrus based products on your tonneau cover.**

- Vinyl cover can be hand washed with mild soap and water or cleaned in a car wash.
- Thoroughly rinse cover to remove any soap residue.
- Cover can be treated with any vinyl protectant made for tonneau covers.

**FAQ's**

1. **How difficult will it be to install tonneau cover?**  
*Installing of tonneau cover is easy, Please follow the steps mentioned in installation manual carefully*
2. **Is Tonneau cover is washable?**  
*Yes, it is washable same as your truck.*
3. **How to clean tonneau cover tarp?**  
*To clean tonneau cover tarp, Please use mild car washing soap.*
4. **Will the tonneau cover scratch my paint?**  
*No, Please follow the Instruction manual carefully, to avoid scratch on paint.*
5. **Tonneau cover will obstruct tailgate opening and closing?**  
*All of the soft tonneau covers allow full, unobstructed use of tailgate without having to open the cover.*
6. **Tonneau cover will work in winter?**  
*Yes, it will work, as tonneau cover fabric will not shrink in cold temperatures.*
7. **Missing / Excess Hardware.**  
*Recheck hardware count as per the part list.*
8. **Product not installing properly.**  
*Ensure make model year, cab length and bed size of your vehicle is listed in the application. All installation steps are followed correctly.*

Check out these other TrailFX Products!!

www.TrailFX.com



**SIDE BARS**



**ROCKER GUARD**



**BED RAILS**



**RUNNING BOARDS**

Keystone Automotive Operations Inc. (KAO) warrants this product to be free of defects in material and workmanship at the time of purchase by the original retail consumer. KAO disclaims any other warranties, express or implied, including the warranty of fitness for a particular purpose or an intended use. If the product is found to be defective, KAO may replace or repair the product at our option, when the product is returned prepaid, with proof of purchase. Alteration to, improper installation, or misuse of this product voids the warranty. KAO's liability is limited to repair or replacement of products found to be defective, and specifically excludes liability for any incidental or consequential loss or damage. The repaired or replaced tonneau will be in warranty for the remainder of the original warranty period.